



Service Parts RUBYP35IN / RUBYP35IL / RUBYP35IN-BIR

35" Gas Insert - DV

Beginning Manufacturing Date: May 2026

Ending Manufacturing Date: Active

Oak Log Set Assembly



Birch Log Set Assembly



IMPORTANT: THIS IS DATED INFORMATION. Parts must be ordered from a dealer or distributor. **Hearth and Home Technologies does not sell directly to consumers.** Provide model number and serial number when requesting service parts from your dealer or distributor.

Stocked at Depot

ITEM	DESCRIPTION	COMMENTS	PART NUMBER	Stocked at Depot
	Oak Log Assembly		LOGS-2697	Y
1	Log 1		SRV2697-701	
2	Log 2		SRV2697-702	
3	Log 3		SRV2696-703	
4	Log 4 (Not Shown)		SRV2697-704	
5	Log 5		SRV2697-705	
6	Log 6		SRV2697-706	
7	Log 7		SRV2697-707	
8	Log 8		SRV2697-708	
	Birch Log Assembly		LOGS-2697-BIRCH	Y
1	Log 1		N/A	
2	Log 2		N/A	
3	Log 3		N/A	
4	Log 4 (Not Shown)		N/A	
5	Log 5		N/A	
6	Log 6		N/A	
7	Log 7		N/A	
8	Log 8		N/A	

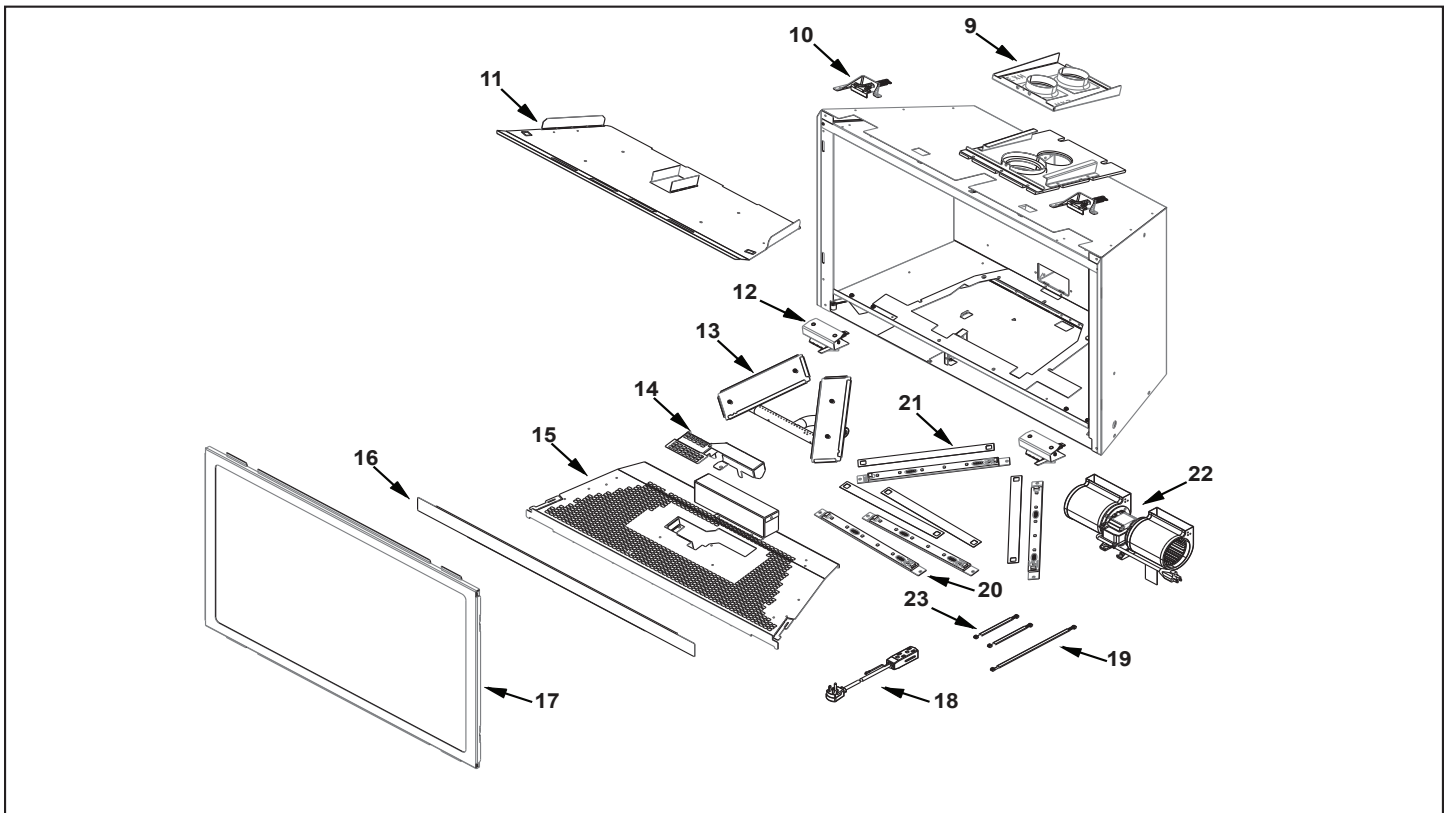
Additional service part numbers appear on following page.



Service Parts RUBYP35IN / RUBYP35IL / RUBYP35IN-BIR

Beginning Manufacturing Date: May 2026

Ending Manufacturing Date: Active



IMPORTANT: THIS IS DATED INFORMATION. Parts must be ordered from a dealer or distributor. **Hearth and Home Technologies does not sell directly to consumers.** Provide model number and serial number when requesting service parts from your dealer or distributor.

**Stocked
at Depot**

ITEM	DESCRIPTION	COMMENTS	PART NUMBER	
9	Slide Plate Assembly		2532-014	
	Tool, Slide Plate (Multi-purpose)		2532-140	
	Gasket		2532-113	
10	Glass Clip Assembly, Top	Qty 2 req	2155-046	
11	Baffle, Firebox		2532-138	
12	Glass Clip Assembly, Bottom	Qty 2 req	2532-009	
13	Burner Assembly		SRV2697-007	Y
14	Pilot Shield Assembly		SRV2696-301	
15	Base Pan Assembly		SRV2697-302	
16	Seal, Glass Frame		2533-122	
17	Glass Door Assembly		GLA-2533	Y
18	Power Cord		SRV2532-320M	Y
19	LED Wire Harness (10 3/4")		2670-753	
20	LED Board and Strip Assembly	Qty 4 req	SRV2300-062	
21	Kapton, Ember	Qty 4 req (3 per kit)	SRV2696-170/3	
22	Fan		GFK-160A	Y
23	LED Wire Harness (5 1/2")	Qty 2 req	SRV2697-753	

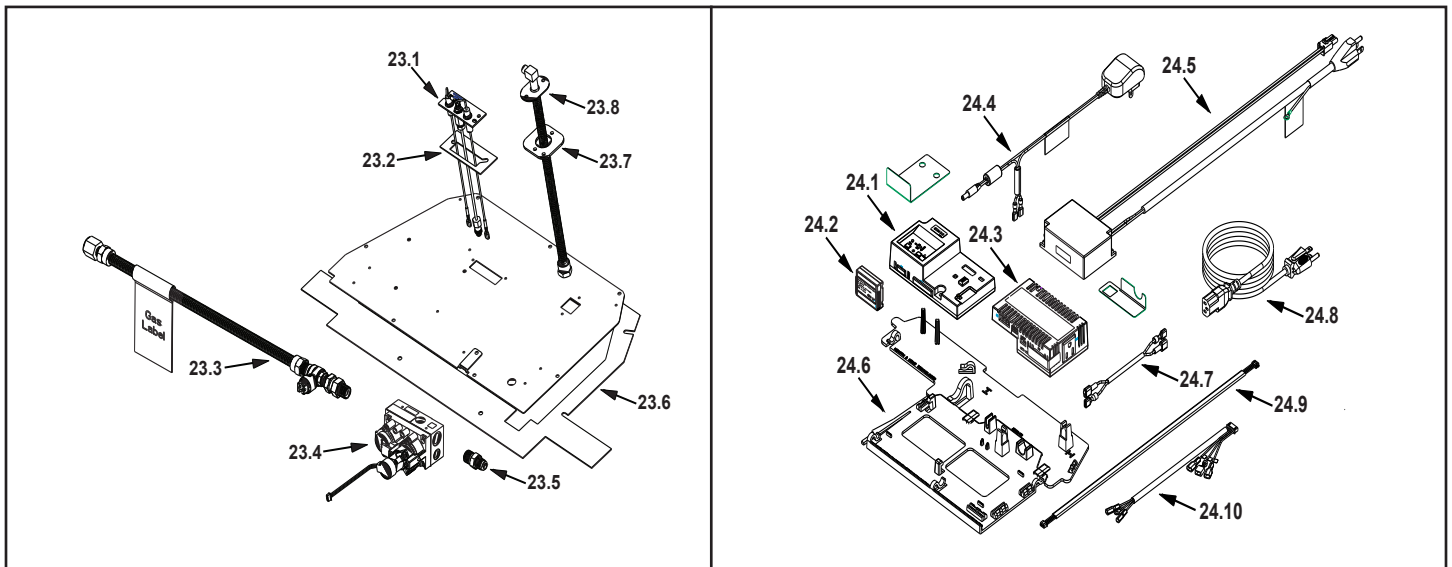
Additional service part numbers appear on following page.



Service Parts RUBYP35IN / RUBYP35IL / RUBYP35IN-BIR

Beginning Manufacturing Date: May 2026

Ending Manufacturing Date: Active



IMPORTANT: THIS IS DATED INFORMATION. Parts must be ordered from a dealer or distributor. **Hearth and Home Technologies does not sell directly to consumers.** Provide model number and serial number when requesting service parts from your dealer or distributor.

Stocked at Depot

ITEM	DESCRIPTION	COMMENTS	PART NUMBER	
23.1	Pilot Assembly NG		SRV2090-012	Y
	Pilot Assembly Propane		SRV2722-013	Y
23.2	Pilot Gasket		2532-134	
23.3	Flex Ball Valve Assembly		2532-081	Y
23.4	Valve NG		SRV2166-302	Y
	Valve Propane		2166-303	Y
23.5	Male Connector	Pkg of 5	303-315/5	Y
23.6	Gasket, Valve Plate		SRV2696-131	
23.7	Gasket, Bulkhead		438-407	
23.8	Bulkhead w/Flex Tube		SRV2166-119	Y
	Orifice NG (#35C)		SRV582-835	Y
	Orifice Propane (#52C)		SRV582-852	Y
24.1	Module, Control IFT 2.0		SRV2564-130	Y
24.2	Module, RF FCC IFT 2.0		SRV2564-120	Y
24.3	US-ACM Module IFT 2.0		SRV2564-150	Y
24.4	6 Volt DC Power Adapter		2326-191	Y
24.5	LED 40W Power Supply		2326-113	Y
24.6	Tray, Component & Wire		2532-172	Y
24.7	Wire Harness (40")		SRV2531-140	Y
24.8	Cable, B Type AC Module		SRV2326-152	Y
24.9	Wire Harness (18")		SRV2696-753	
24.10	Harness, IFT 6 Pin Wiring		SRV2326-132	Y

Additional service part numbers appear on following page.

