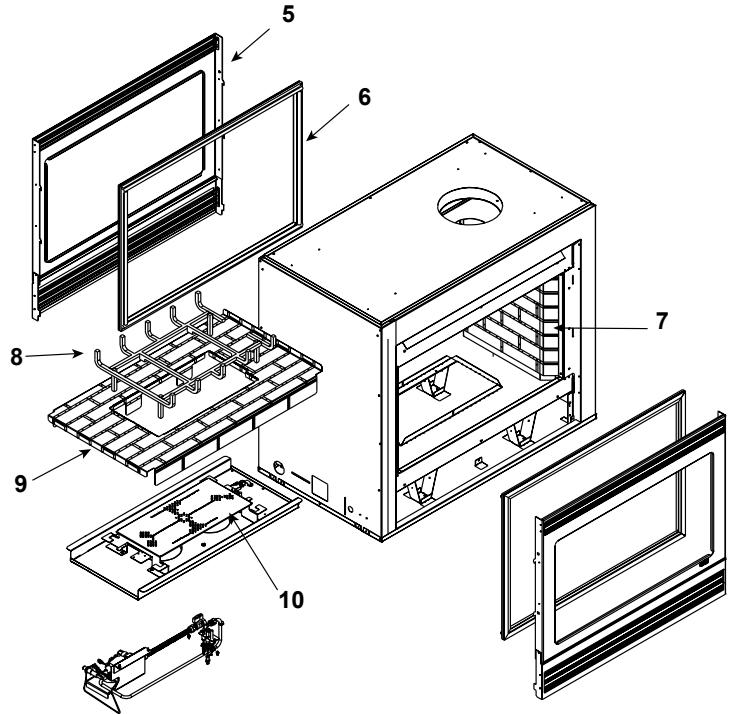
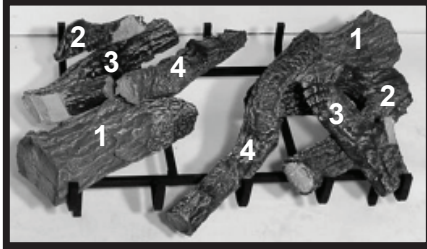


Log Set Assembly



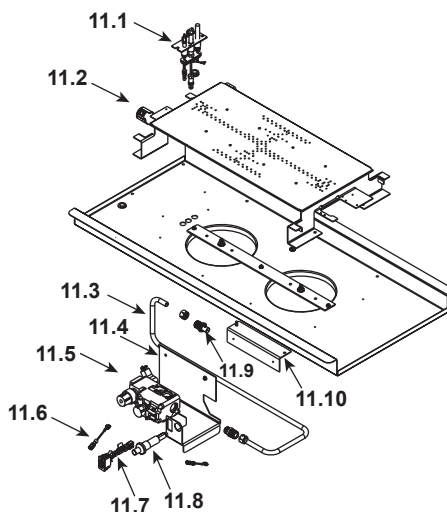
IMPORTANT: THIS IS DATED INFORMATION. Parts must be ordered from a dealer or distributor. **Hearth and Home Technologies does not sell directly to consumers.** Provide model number and serial number when requesting service parts from your dealer or distributor.



**Stocked
at Depot**

ITEM	DESCRIPTION	COMMENTS	PART NUMBER	
	Log Set Assembly	No longer available	LOGS-RDVFS	
1	Log #1	No longer available	SRV501-700	
2	Log #2	No longer available	SRV484-704	
3	Log #3	No longer available	SRV484-705	
4	Log #4	No longer available	SRV484-703	
5	Door Assembly, Side	No longer available	DF-36H	
6	Glass Assembly, Side	Qty 2 req	GLA-PIER	Y
7	Refractory, End	No longer available	464-280	
8	Grate Assembly	No longer available	501-363	
9	Refractory, Base	No longer available	464-292	
10	Burner Assembly NG		501-173A	Y
	Burner Assembly LP		501-172A	Y
	Fan Kit		GFK-160A	
	when replacing fan kit, a 3-prong adaptor may be purchased from a hardware store			
	Junction Box		100-250A	Y
	Mineral Wool		050-721	
	Wall Switch , Off White	No longer available	WSK-21	
	Wall Switch, White		WSK-21-W	

#11 Valve Assembly



IMPORTANT: THIS IS DATED INFORMATION. Parts must be ordered from a dealer or distributor. **Hearth and Home Technologies does not sell directly to consumers.** Provide model number and serial number when requesting service parts from your dealer or distributor.



**Stocked
at Depot**

ITEM	DESCRIPTION	COMMENTS	PART NUMBER	
11.1	Pilot Assembly NG		4021-736	Y
	Pilot Assembly LP		4021-737	Y
	Pilot Tube		SRV485-301	Y
	Thermocouple		446-511	Y
	Thermopile		2103-512	Y
11.2	Burner Assembly NG		501-173A	Y
	Burner Assembly LP		501-172A	Y
11.3	Flex Tube Assembly		567-301A	Y
11.4	Valve Bracket	No longer available	501-115	
11.5	Valve NG		060-522	Y
	Valve LP		060-523	Y
11.6	Wire Assembly	No longer available	049-552A	
11.7	On/Off Rocker Switch		060-521A	Y
11.8	Piezo Ignitor		291-513	Y
11.9	Orifice NG (#32B)	No longer available	501-800	
	Orifice LP (#55C)	No longer available	501-801	
11.10	Valve Support Bracket	No longer available	501-215	
	Flex Ball Valve Assembly		SRV302-320	Y
	Conversion Kit NG	No longer available	NGK-RYL-MS	
	Conversion Kit LP	No longer available	LPK-RYL-MS	
	Pilot Orifice NG		SRV446-505	Y
	Pilot Orifice LP		SRV446-517	Y
	Regulator NG		SRV060-518	Y
	Regulator LP		060-519	Y