

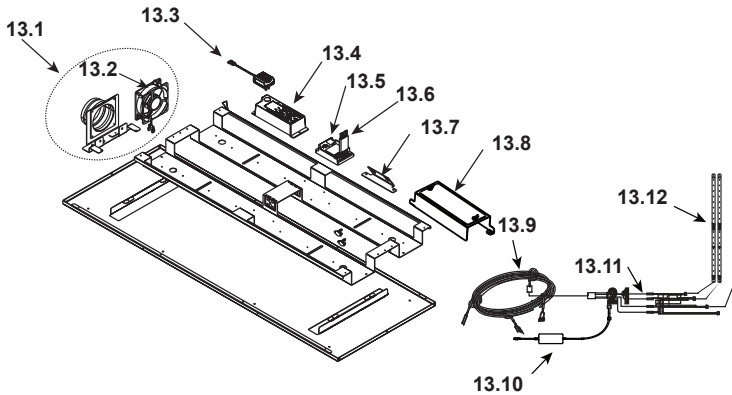
IMPORTANT: THIS IS DATED INFORMATION. Parts must be ordered from a dealer or distributor. **Hearth and Home Technologies does not sell directly to consumers.** Provide model number and serial number when requesting service parts from your dealer or distributor.



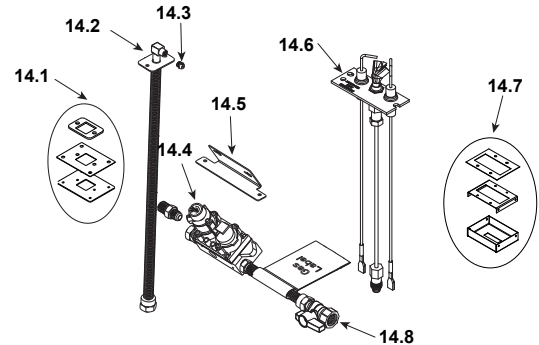
Stocked  
at Depot

ITEM	DESCRIPTION	COMMENTS	PART NUMBER	
1	Non Combustible Board, Outer	Qty 2 req	2155-461	
2	Non Combustible Board, Inner	Qty 2 req	2155-462	
3	Non Combustible Board, Side Panel Finish	Qty 4 req	2155-460	
4	Bottom Face Plate	Qty 2 req	2155-112	
5	Mesh Clips	Pre 12/31/14	2155-184/4	Y
		Post 12/31/14	2155-193	
6	Glass Assembly	Qty 2 req	GLA-RED40	Y
7	Fire screen Door Assembly	Pre 12/31/14	SRV2155-012	
		Post 12/31/14	SRV2155-040	
	Mesh	Pre 12/31/14	2155-031	
		Post 12/31/14	2155-032	
8	Burner Assembly NG		2155-007	Y
9	Pilot Shield		2155-173	
10	Base Pan		SRV2155-025	
11	Panel Cover, Side		2155-140	
12	Vent Assembly		2155-071	
	Grille Panel		2155-150	
	Glass Latch Support Assembly	Qty 4 req	2155-045	Y

## #13 Control Assembly



## #14 Valve Assembly



**IMPORTANT: THIS IS DATED INFORMATION.** Parts must be ordered from a dealer or distributor. **Hearth and Home Technologies does not sell directly to consumers.** Provide model number and serial number when requesting service parts from your dealer or distributor.



**Stocked  
at Depot**

ITEM	DESCRIPTION	COMMENTS	PART NUMBER	
13.1	Fan Assembly with Bracket		2155-070	
13.2	Fan Assembly		705-567A	Y
13.3	Transformer		SRV593-593	Y
13.4	Junction Box		SRV4021-013	Y
13.5	Control Module		SRV593-592	Y
13.6	Wire Assembly		SRV593-590	Y
13.7	Valve Bracket		2155-149	
13.8	Heat Shield, Module		2155-188	
13.9	LED Control Cable		2155-755	Y
13.10	LED Power Supply		2273-308	Y
13.11	LED Jumper Connections		2155-752	Y
13.12	LED Light Bar Assembly	Qty 3 req	2155-057	Y
14.1	Flex Plate/Gasket Assembly		2155-044	
14.2	18" Flex Tube Assembly		530-302A	Y
14.3	Orifice NG (#34C)		582-834	Y
	Orifice LP (#50C)		582-850	Y
14.4	Valve NG		750-500	Y
	Valve LP		750-501	Y
14.5	Valve Bracket		2155-149	
14.6	Pilot Assembly NG		SRV2090-012	Y
	Pilot Assembly LP		2090-013	Y
14.7	Pilot Bracket Assembly		2155-049	
14.8	Flex Ball Valve Assembly		SRV302-320	Y

Additional service part numbers on following page.



Service Parts

RED40ST-NNN, RED40ST- NM, RED40ST-LM

No one builds a better fire

Beginning Manufacturing Date: Feb 2014

Ending Manufacturing Date: May 2015

IMPORTANT: THIS IS DATED INFORMATION. Parts must be ordered from a dealer or distributor. **Hearth and Home Technologies does not sell directly to consumers.** Provide model number and serial number when requesting service parts from your dealer or distributor.



Stocked at Depot

ITEM	DESCRIPTION	COMMENTS	PART NUMBER	
	3-Hole Grommet		SRV2118-420	
	Dual Wall Switch Plate		2155-511	
	Fiberglass Rope		060-455	
	Flexible Duct Connector 8 FT		2155-360	
	High Limit Switch	Qty 2 req	514-530	Y
	Hood Clips	Pkg of 24	047-805-24	Y
	Jumper Wire 2 in 1/4 F to 1/4 F		2155-033	Y
	Jumper Wire 3/16 F to 1/4 F		2155-035	Y
	Jumper Wire 3/16 M to 1/4 F		2155-034	Y
	Pilot Bracket		2155-176	
	Pilot Support Bracket		2155-009	
	Restrictor 3"		2155-145	
	Restrictor 4"		2155-162	
	Retainer Clip	Qty 9 req	2155-199	
	Switch Assembly, Sensor		SRV046-018A	Y
	Touch Up Paint		TUP-GBK-12	
	Wall Switch		WSK-21-W	
	Wall Switch Wire		062-550	
	Wire Harness 20 inch Female		107-559A	Y
	Conversion Kit NG		NGK-RED40	
	Conversion Kit LP		LPK-RED40	
	Pilot Orifice NG		SRV593-528	Y
	Pilot Orifice LP		SRV593-527	Y
	Regulator NG		SRVNGK-DXV	Y
	Regulator LP		SRVLPK-DXV	Y

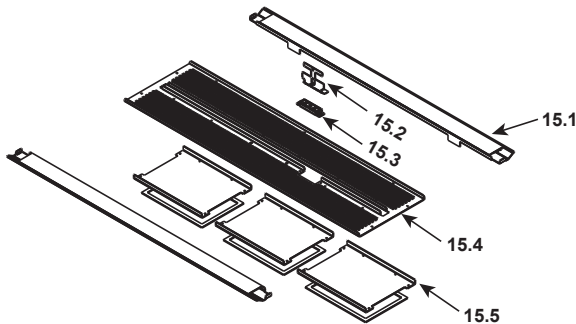
Unique service parts by model on following page.

No one builds a better fire

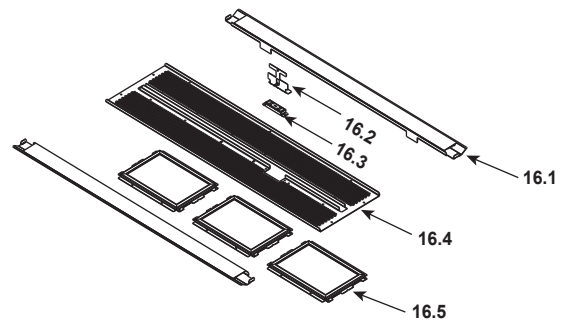
Beginning Manufacturing Date: Feb 2014

Ending Manufacturing Date: May 2015

### #15 Base Pan No Lights with Media



### #16 Base Pan With Lights and Media



**IMPORTANT: THIS IS DATED INFORMATION.** Parts must be ordered from a dealer or distributor. **Hearth and Home Technologies does not sell directly to consumers.** Provide model number and serial number when requesting service parts from your dealer or distributor.



**Stocked at Depot**

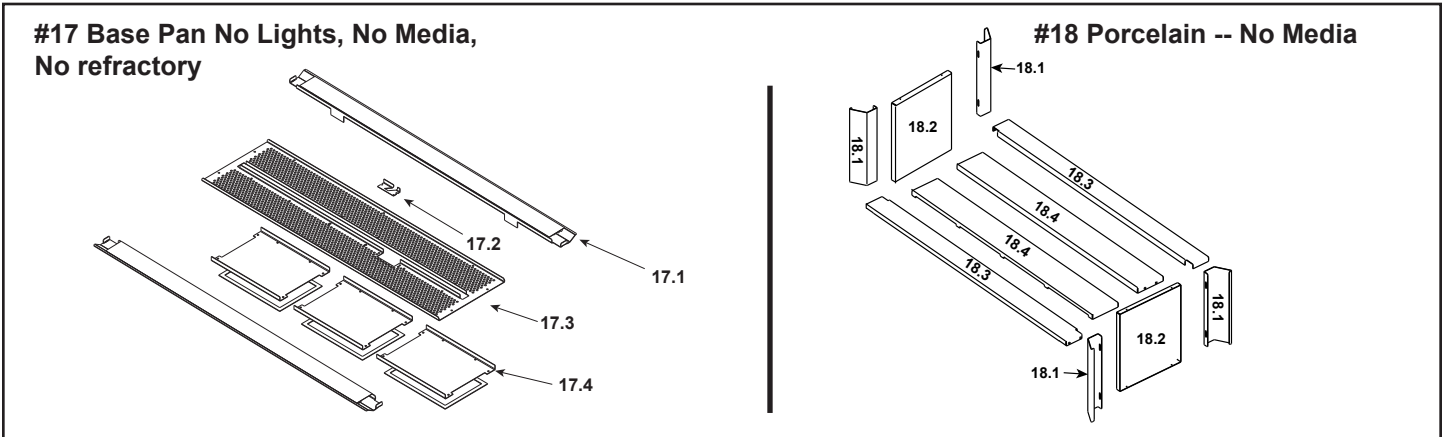
ITEM	DESCRIPTION	COMMENTS	PART NUMBER	
<b>RED40ST-NM (No lights) ( Media Required)</b>				
15	Base Pan With Media		2175-026	
15.1	Access Panel Assembly	Qty 2 req	2155-060	
15.2	Rock Placement Jig		2155-170	
15.3	Pilot Cover		2155-171	
15.4	Base Pan		2155-151	
15.5	Bottom Plate	Qty 3 req	2155-161	
	Rock	Solid White	MEDIA-WHITE	
		Onyx	MEDIA-ONYX	
	Refractory	<b>No longer available</b>	GR40ST-L	
		<b>No longer available</b>	POR40ST-L	
<b>RED40ST-LM (Lights,) Media Required</b>				
16	Base Pan with Media		2175-027	
16.1	Access Panel Assembly	Qty 2 req	2155-060	
16.2	Rock Placement Jig		2155-170	
16.3	Pilot Cover		2155-171	
16.4	Base Pan		2155-151	
16.5	Glass Assembly, Lights	Qty 3 req	2155-019	
	Rock	Ruby Red	MEDIA-RED	
		Clear	MEDIA-CLEAR	
		<b>No longer available</b>	MEDIA-GREEN	
		Deep Blue	MEDIA-BLUE	
	Refractory	<b>No longer available</b>	GR40ST-L	
		<b>No longer available</b>	POR40ST-L	
	Convert from Porcelain or Granite to Metal Refractory	Qty 2 req	2155-232	
	3 On/Off Switch	<b>Lighted Units Only</b>	2155-204	<b>Y</b>

Additional service part numbers on following page.

No one builds a better fire

Beginning Manufacturing Date: Feb 2014

Ending Manufacturing Date: May 2015

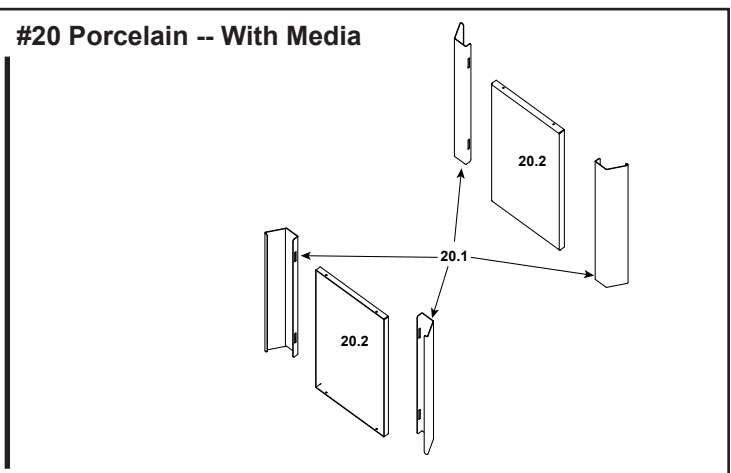
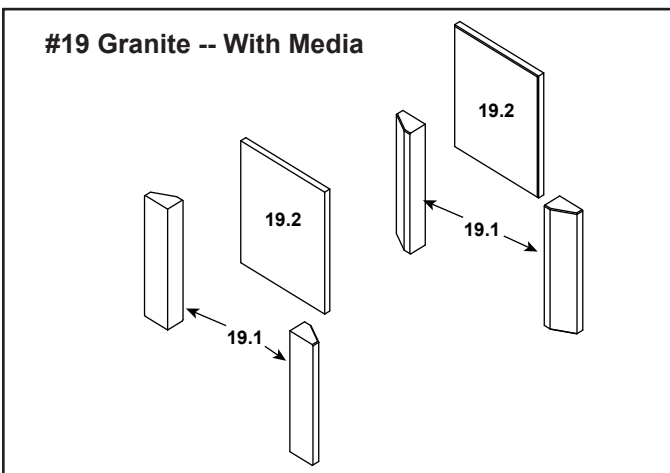


IMPORTANT: THIS IS DATED INFORMATION. Parts must be ordered from a dealer or distributor. **Hearth and Home Technologies does not sell directly to consumers.** Provide model number and serial number when requesting service parts from your dealer or distributor.



Stocked at Depot

ITEM	DESCRIPTION	COMMENTS	PART NUMBER
<b>RED40ST-NNN (No lights, No Media, No Refractory)</b>			
17	Base Pan No Media		2175-028
17.1	Access Panel Assembly	Qty 2 req	2155-060
17.2	Burner Insert		2155-160
17.3	Base Pan		2155-152
17.4	Bottom Plate	Qty 3 req	2155-161
	Refractory	Metal	SMR-40STNL
18	Refractory Kit	<b>No longer available</b>	POR40ST-F
18.1	Refractory, Corner (Qty 4 req)		2155-230
18.2	Refractory, Side (Qty 2 req)		2175-223
18.3	Refractory, Outer Bttm (Qty 2 req)		2155-226
18.4	Refractory, Inner Front (Qty 2 req)		2155-224



ITEM	DESCRIPTION	PART NUMBER
19	<b>No longer available</b>	GR40ST-L
19.1	Refractory, Corner (Qty 4 req)	2175-225
19.2	Refractory, Side (Qty 2 req)	2175-224

ITEM	DESCRIPTION	PART NUMBER
20	<b>No longer available</b>	POR40ST-L
20.1	Refractory, Corner (Qty 4 req)	2155-219
20.2	Refractory, Side (Qty 2 req)	2155-223