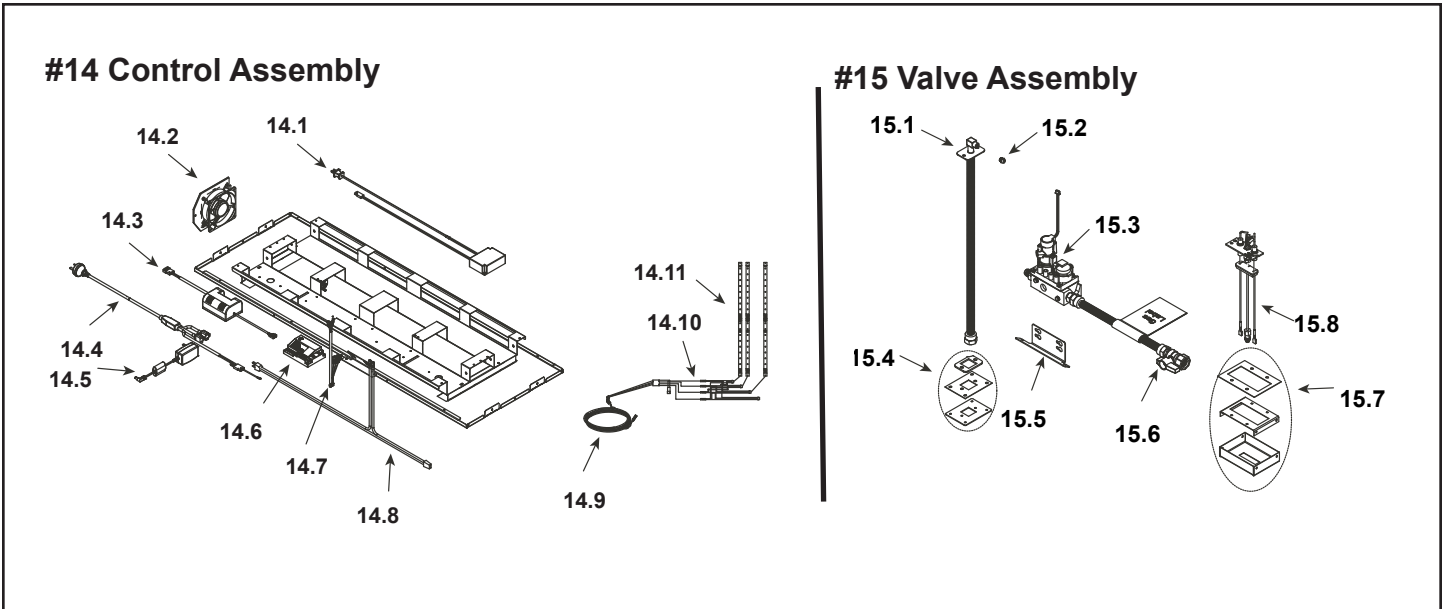


IMPORTANT: THIS IS DATED INFORMATION. Parts must be ordered from a dealer or distributor. **Hearth and Home Technologies does not sell directly to consumers.** Provide model number and serial number when requesting service parts from your dealer or distributor.

ITEM	DESCRIPTION	COMMENTS	PART NUMBER
1	Non Combustible Board, Outer	Qty 2 req	2294-461
2	Non Combustible Board, Inner	Qty 2 req	2155-462
3	Non Combustible Board, Side Panel Finish	Qty 4 req	2294-460
4	Cover Panel		2294-150
5	Mesh Clips	Pkg of 4	2155-184/4
6	Glass Assembly	Qty 2 req	GLA-RED40
7	Firescreen Door Assembly	Qty 2 req	SRV2155-012
	Mesh		2155-031
8	Bottom Face Plate	Qty 2 req	2294-112
9	Pilot Shield		2155-173
10	Panel Cover, Side		2155-140
11	Burner Assembly NG		2155-007
12	Base Pan		SRV2294-025
13	Vent Assembly		2155-071
	Glass Latch Support Assembly	Qty 4 req	2155-045

No one builds a better fire

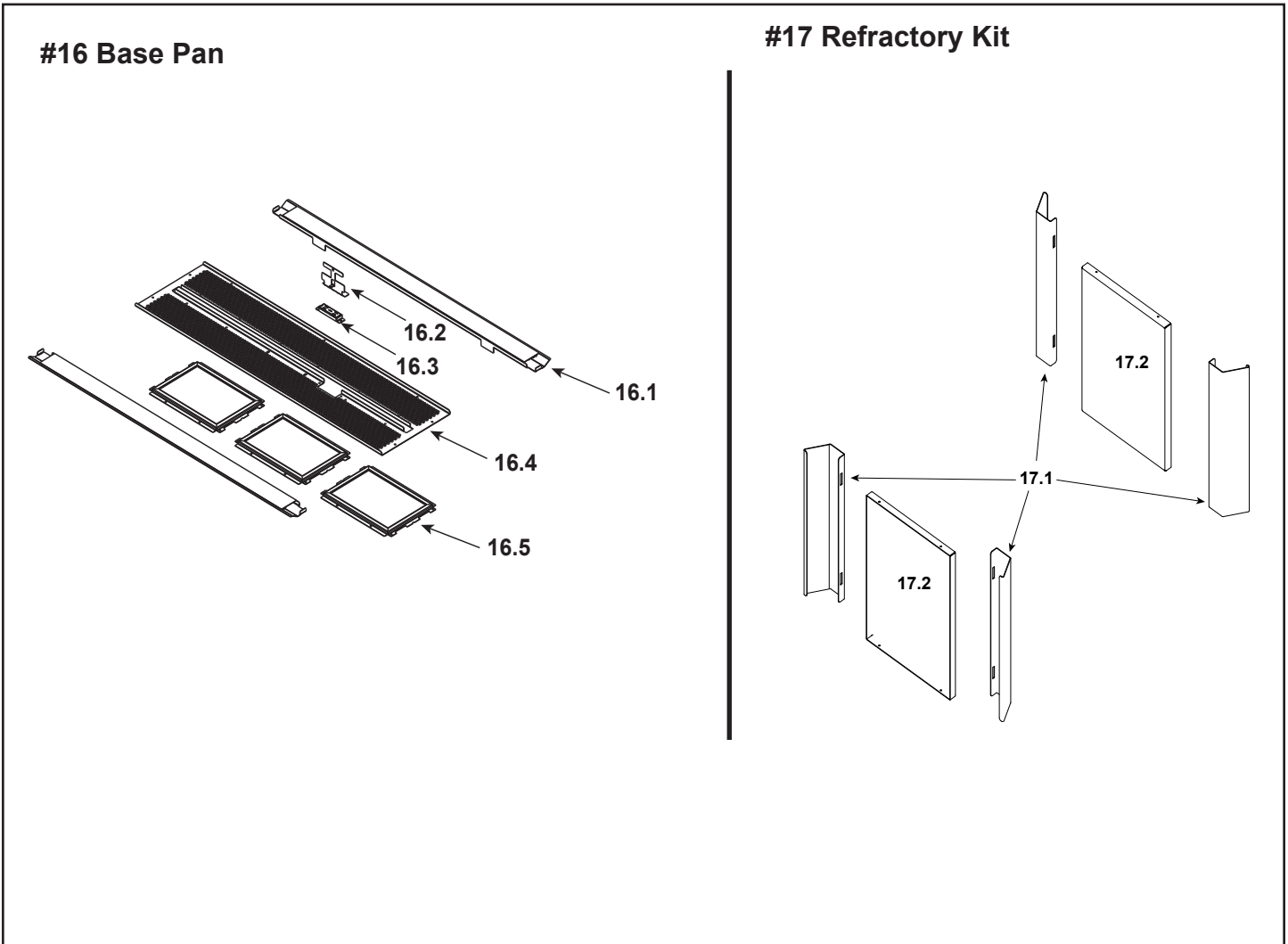
Beginning Manufacturing Date: Apr 2013
Ending Manufacturing Date: May 2015



IMPORTANT: THIS IS DATED INFORMATION. Parts must be ordered from a dealer or distributor. **Hearth and Home Technologies does not sell directly to consumers.** Provide model number and serial number when requesting service parts from your dealer or distributor.

ITEM	DESCRIPTION	COMMENTS	PART NUMBER
14.1	LED Power Supply		2273-318
14.2	Fan Assembly with Bracket		2155-070
	Fan Assembly		2294-567
14.3	Aux300		2166-340
14.4	Power Cord Assembly		2294-374
14.5	Switched DC Regulator		SRV2326-131
14.6	Control Module		2166-306
14.7	Wire Assembly		2166-304
14.8	Wire Harness		2294-500
14.9	LED Control Cable		2155-755
14.10	LED Jumper Connections		2155-752
14.11	LED Light Bar Assembly	Qty 3 req	2155-057
15.1	18" Flex Tube Assembly		530-302A
15.2	Orifice NG (#34C)		582-834
	Orifice LP (#50C)		582-850
15.3	Valve NG		SRV2166-302
	Valve LP		2166-303
15.4	Orifice Bracket Assembly		2155-049
15.5	Valve Bracket		2155-149
15.6	Flex Ball Valve Assembly		SRV302-320
15.7	Pilot Bracket Assembly		2155-044
15.8	Pilot Assembly NG		SRV2090-012
	Pilot Assembly LP		2090-013

Additional service part numbers on following page.



IMPORTANT: THIS IS DATED INFORMATION. Parts must be ordered from a dealer or distributor. **Hearth and Home Technologies does not sell directly to consumers.** Provide model number and serial number when requesting service parts from your dealer or distributor.

ITEM	DESCRIPTION	COMMENTS	PART NUMBER
16	Base Pan		2175-027
16.1	Access Panel Assembly	Qty 2 req	2155-060
16.2	Rock Placement Jig		2155-170
16.3	Pilot Cover		2155-171
16.4	Base Pan		2155-151
16.5	Glass Assembly, Lights	Qty 3 req	2155-019
17	Refractory Kit	No longer available	POR40ST-L
17.1	Refractory, Corner (Qty 4 req)	Qty 4 req	2155-219
17.2	Refractory, Side (Qty 2 req)	Qty 2 req	2155-223

Additional service parts on following page.



No one builds a better fire

Beginning Manufacturing Date: Apr 2013
Ending Manufacturing Date: May 2015

IMPORTANT: THIS IS DATED INFORMATION. Parts must be ordered from a dealer or distributor. **Hearth and Home Technologies does not sell directly to consumers.** Provide model number and serial number when requesting service parts from your dealer or distributor.

ITEM	DESCRIPTION	COMMENTS	PART NUMBER
	3-Hole Grommet		SRV2118-420
	Convert from Porcelain or Granite to Metal Refractory	Qty 2 req	2155-232
	Dual Wall Switch Plate		2155-511
	Fiberglass Rope		060-455
	Flexible Duct Connector 8 FT		2155-360
	High Limit Switch	Qty 2 req	514-530
	Hood Clips	Pkg of 24	047-805-24
	Jumper Wire 2 in 1/4 F to 1/4 F		2155-033
	Jumper Wire 3/16 F to 1/4 F		2155-035
	Jumper Wire 3/16 M to 1/4 F		2155-034
	On/Off Switch, w/3 Switches		2155-204
	Pilot Bracket		2155-176
	Pilot Support Bracket		2155-009
	Remote		RC300-HNG
	Restrictor 3"		2155-145
	Restrictor 4"		2155-169
	Retainer Clip		2155-199
	Rock	Clear	MEDIA-CLEAR
	Stone Kit	No longer available	STONES-RED40-AU
	Switch Assembly, Sensor		SRV046-018A
	Touch Up Paint		TUP-GBK-12
	Wall Switch, Beige	No longer available	WSK-21
	Wall Switch, White		WSK-21-W
	Remote		RC300-HNG
	Conversion Kit NG		P2N-RED40-AU
	Conversion Kit LP		N2P-RED40-AU
	Pilot Orifice NG		SRV593-528
	Pilot Orifice LP		SRV593-527
	Regulator NG		NGK-DXV-50
	Regulator LP		SRVLPK-DXV-50