

**IMPORTANT: THIS IS DATED INFORMATION.** Parts must be ordered from a dealer or distributor. **Hearth and Home Technologies does not sell directly to consumers.** Provide model number and serial number when requesting service parts from your dealer or distributor.



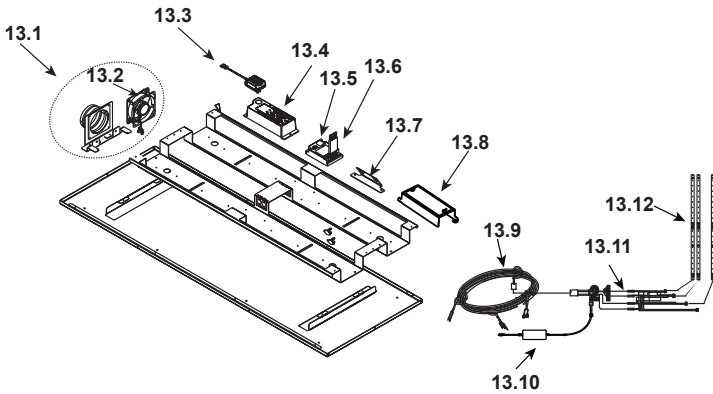
**Stocked at Depot**

ITEM	DESCRIPTION	COMMENTS	PART NUMBER	
1	Pilot Shield		2155-173	
2	Non Combustible Board, Side Finish Panel	Qty 2 req	2155-460	
3	Mesh Clips	Pkg of 4	2155-184/4	Y
4	Glass Assembly		GLA-RED40	Y
5	Fire screen Door Assembly		SRV2155-012	
	Mesh		2155-031	
6	Bottom Face Plate		2155-112	
7	Bottom Base Assembly		SRV2155-025	
8	Burner Assembly NG/LP		2155-007	Y
9	Non Combustible Board, Outer		2155-461	
10	Non Combustible Board, Inner		2155-462	
11	Panel Cover, Side		2155-140	
12	Vent Assembly		2155-071	
	Grill Panel		2155-150	
	Glass Latch Support Assembly	Qty 2 req	2155-045	Y

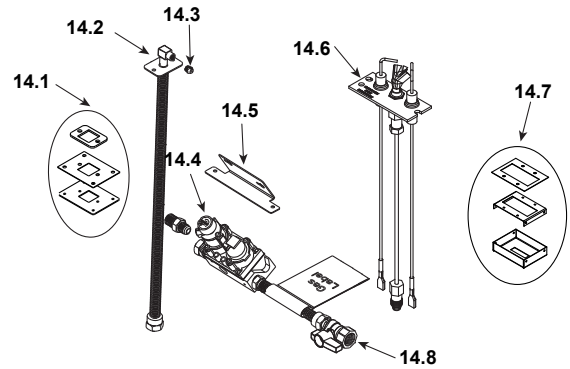
No one builds a better fire

Beginning Manufacturing Date: May 2009  
Ending Manufacturing Date: May 2015

### #13 Control Assembly



### #14 Valve Assembly



**IMPORTANT: THIS IS DATED INFORMATION.** Parts must be ordered from a dealer or distributor. **Hearth and Home Technologies does not sell directly to consumers.** Provide model number and serial number when requesting service parts from your dealer or distributor.



**Stocked at Depot**

ITEM	DESCRIPTION	COMMENTS	PART NUMBER	
13.1	Fan Assembly with Bracket		2155-070	
13.2	Blower Assembly		705-567A	Y
13.3	Transformer		SRV593-593	Y
13.4	Junction Box		SRV4021-013	Y
13.5	Control Module		SRV593-592	Y
13.6	Wire Assembly		SRV593-590	Y
13.7	Valve Bracket		2155-149	
13.8	Heat Shield, Module		2155-188	
13.9	LED Control Cable		2155-755	Y
13.10	LED Power Supply		2273-318	Y
13.11	LED Jumper Connections		2155-752	Y
13.12	LED Light Bar Assembly	Qty 3 req	2155-057	Y
14.1	Flex Plate/ Gasket Assembly		2155-044	
14.2	18" Flex Tube Assembly		530-302A	Y
14.3	Orifice NG (#34C)		582-834	Y
	Orifice LP (#50C)		582-850	Y
14.4	Valve NG		750-500	Y
	Valve LP		750-501	Y
14.5	Valve Bracket		2155-149	
14.6	Pilot Assembly NG		SRV2090-012	Y
	Pilot Assembly LP		2090-013	Y
14.7	Pilot Bracket Assembly		2155-049	
14.8	Flex Ball Valve Assembly		SRV302-320	Y

Additional service part numbers on following page.

No one builds a better fire

Beginning Manufacturing Date: May 2009  
Ending Manufacturing Date: May 2015

IMPORTANT: THIS IS DATED INFORMATION. Parts must be ordered from a dealer or distributor. **Hearth and Home Technologies does not sell directly to consumers.** Provide model number and serial number when requesting service parts from your dealer or distributor.



Stocked  
at Depot

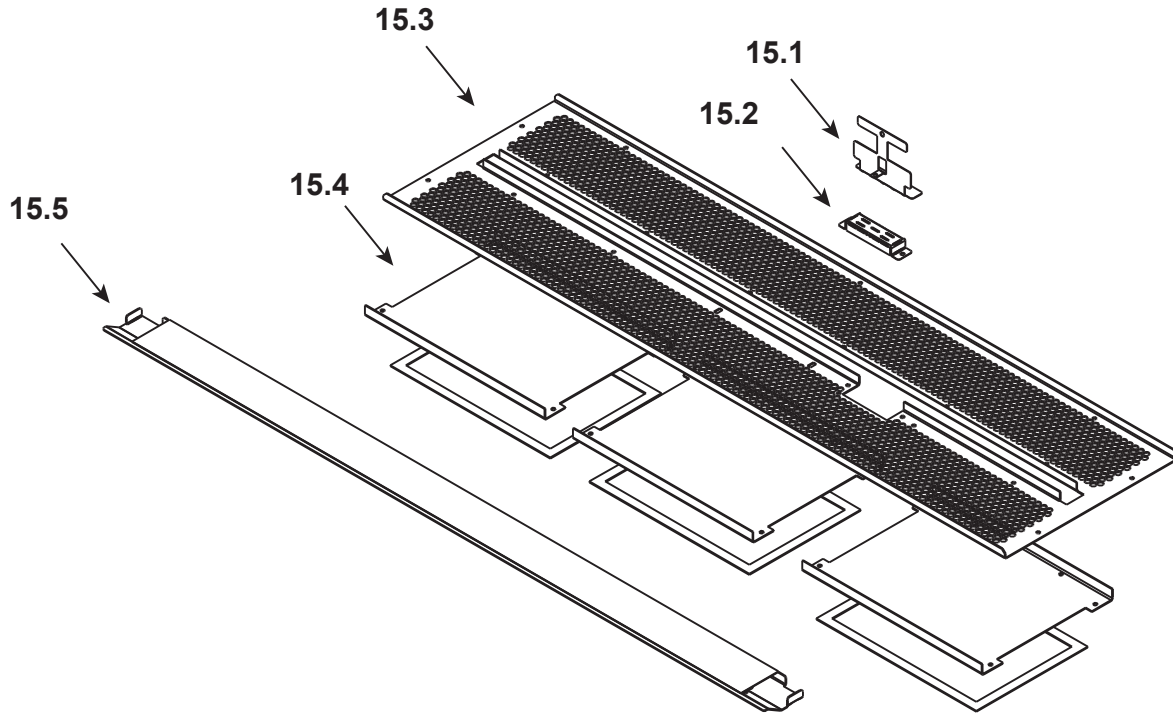
ITEM	DESCRIPTION	COMMENTS	PART NUMBER	
	Dual Wall Switch Plate		2155-511	
	Fiberglass Rope		060-455	
	Flexible Duct Connector 8 FT		2155-360	
	Grommet, 3-Hole		SRV2118-42	
	High Limit Switch	Qty 2 req	514-530	Y
	High Temp Limit Switch Assembly		SRV046-018A	Y
	Hood Clips	Pkg of 24	047-805-24	Y
	Jumper Wire 2 in 1/4 F to 1/4 F		2155-033	Y
	Jumper Wire 3/16 F to 1/4 F		2155-035	Y
	Jumper Wire 3/16 M to 1/4 F		2155-034	Y
	Pilot Bracket		2155-176	
	Pilot Support Bracket Assembly		2155-009	
	Restrictor 3"		2155-145	
	Restrictor 4"		2155-162	
	Retainer clip	Qty 9 req	2155-199	
	Touch Up Paint		TUP-GBK-12	
	Wall Switch		WSK-21-W	
	Wall Switch Wire		062-550	
	Wire Harness 20 inch Female		107-559A	Y
	Conversion Kit NG		NGK-RED40	
	Conversion Kit LP		LPK-RED40	
	Pilot Orifice NG		SRV593-528	Y
	Pilot Orifice LP		SRV593-527	Y
	Regulator NG		SRVNGK-DXV	Y
	Regulator LP		SRVLPK-DXV	Y

Unique service parts by model on following page.

No one builds a better fire

Beginning Manufacturing Date: May 2009  
Ending Manufacturing Date: May 2015

### #15 Base Pan No Lights with Media



**IMPORTANT: THIS IS DATED INFORMATION.** Parts must be ordered from a dealer or distributor. **Hearth and Home Technologies does not sell directly to consumers.** Provide model number and serial number when requesting service parts from your dealer or distributor.



**Stocked at Depot**

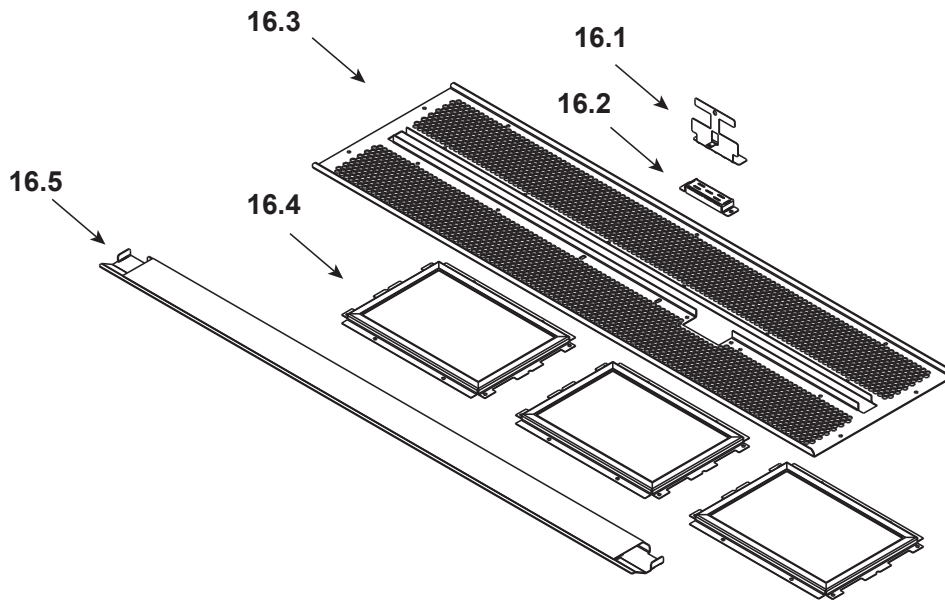
ITEM	DESCRIPTION	COMMENTS	PART NUMBER
<b>Model No Media Option</b>			
	<b>RED40-NWN (No lights, White Rock, No Refractory)</b>	<b>RED40-NON (No lights, Onyx, No Refractory)</b>	
	<b>RED40-NWG (No lights, White Rock, Granite)</b>	<b>RED40-NOG (No lights, Onyx, Granite)</b>	
	<b>RED40-NWP (No lights, White Rock, Porcelain)</b>	<b>RED40-NOP (No lights, Onyx, Porcelain)</b>	
15	Base Pan With Media		2155-026
15.1	Rock Placement Jig		2155-170
15.2	Pilot Cover		2155-160
15.3	Base Pan		2155-151
15.4	Bottom Plate	Qty 3 req	2155-161
15.5	Access Panel Assembly		2155-060
	Rock	Solid White	MEDIA-WHITE
		<b>No longer available</b>	MEDIA-ONYX
	Refractory	<b>No longer available</b>	GR40-L
		Porcelain	POR40-L

Additional service part numbers on following page.

No one builds a better fire

Beginning Manufacturing Date: May 2009  
Ending Manufacturing Date: May 2015

### #16 Base Pan With Lights and Media



**IMPORTANT: THIS IS DATED INFORMATION.** Parts must be ordered from a dealer or distributor. **Hearth and Home Technologies does not sell directly to consumers.** Provide model number and serial number when requesting service parts from your dealer or distributor.



**Stocked at Depot**

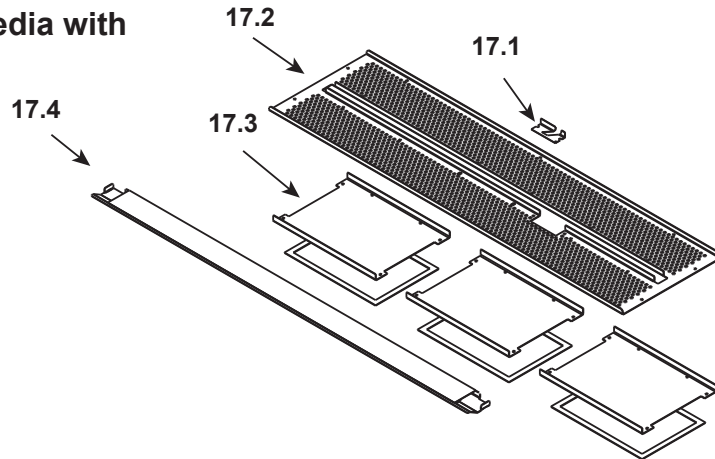
ITEM	DESCRIPTION	COMMENTS	PART NUMBER	
<b>Model Media Option</b>				
	RED40-LRP (Lights, Red Rock, Porcelain)		RED40-LGP (Lights, Green Rock, Porcelain)	
	RED40-LRN (Lights, Red Rock, No Refractory)		RED40-LGN (Lights, Green Rock, No Refractory)	
	RED40-LRG (Lights, Red Rock, Granite)		RED40-LGG (Lights, Green Rock, Granite)	
	RED40-LCG (Lights, Clear, Granite)		RED40-LBP (Lights, Deep Blue, Porcelain)	
	RED40-LCN (Lights, Clear, No Refractory)		RED40-LBN (Lights, Deep Blue, No Refractory)	
	RED40-LCP (Lights, Clear, Porcelain)		RED40-LBG (Lights, Deep Blue, Granite)	
16	Base Pan with Media		2155-027	
16.1	Rock Placement Jig		2155-170	
16.2	Pilot Cover		2155-171	
16.3	Base Pan		2155-151	
16.4	Glass Assembly, Lights	Qty 3 req	2155-019	
16.5	Access Panel Assembly		2155-060	
	Rock	Ruby Red	MEDIA-RED	
		Clear	MEDIA-CLEAR	
		<b>No longer available</b>	MEDIA-GREEN	
		Deep Blue	MEDIA-BLUE	
	Refractory	<b>No longer available</b>	GR40-L	
		Porcelain	POR40-L	
	Convert from Porcelain or Granite to Metal Refractory	Qty 2 req	2155-232	
	On/Off Switches	<b>Lighted Units Only</b>	2155-204	Y

Additional service part numbers on following page.

No one builds a better fire

Beginning Manufacturing Date: May 2009  
Ending Manufacturing Date: May 2015

### #17 Base Pan No Lights or Media with Porcelain or No refractory



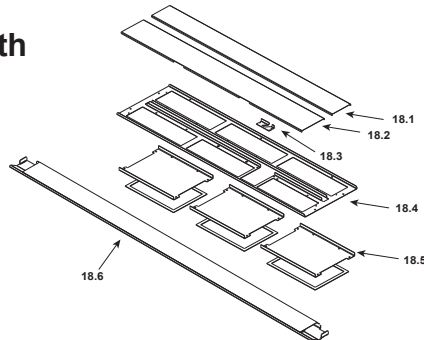
IMPORTANT: THIS IS DATED INFORMATION. Parts must be ordered from a dealer or distributor. **Hearth and Home Technologies does not sell directly to consumers.** Provide model number and serial number when requesting service parts from your dealer or distributor.



**Stocked at Depot**

ITEM	DESCRIPTION	COMMENTS	PART NUMBER	
<b>RED40-NNN (No lights, No Rock, No Refractory)</b>		<b>RED40-NNP (No lights, No Rock, Porcelain)</b>		
17	Base Pan No Media Option		2155-028	
17.1	Burner Insert		2155-160	
17.2	Base Pan		2155-152	
17.3	Bottom Plate	Qty 3 req	2155-161	
17.4	Access Panel Assembly		2155-060	
	Refractory	Metal	SMR-40NL	
		No longer available	POR40-F	

### #18 Base Pan No Lights or Media with Granite refractory



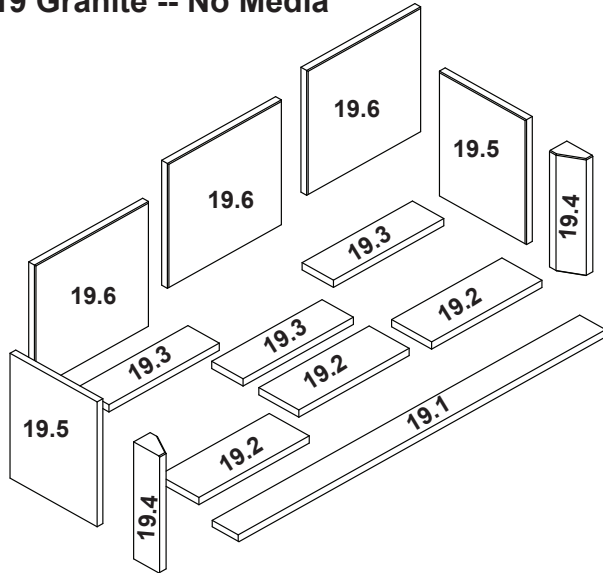
<b>RED40-NNG (No lights, No Rock, Granite)</b>				
ITEM	DESCRIPTION	COMMENTS	PART NUMBER	
18	Base Pan No Media Option		2155-029	
18.1	Base Plate Inner	Back	2155-133	
18.2	Base Plate Inner	Front	2155-132	
18.3	Burner Insert		2155-160	
18.4	Base Pan		2155-134	
18.5	Bottom Plate	Qty 3 req	2155-161	
18.6	Access Panel Assembly		2155-060	
	Refractory	No longer available	GR40-F	

Additional service part numbers on following page.

No one builds a better fire

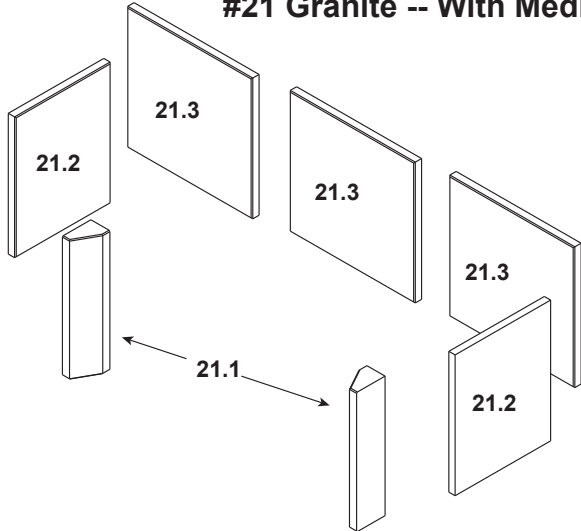
Beginning Manufacturing Date: May 2009  
Ending Manufacturing Date: May 2015

### #19 Granite -- No Media



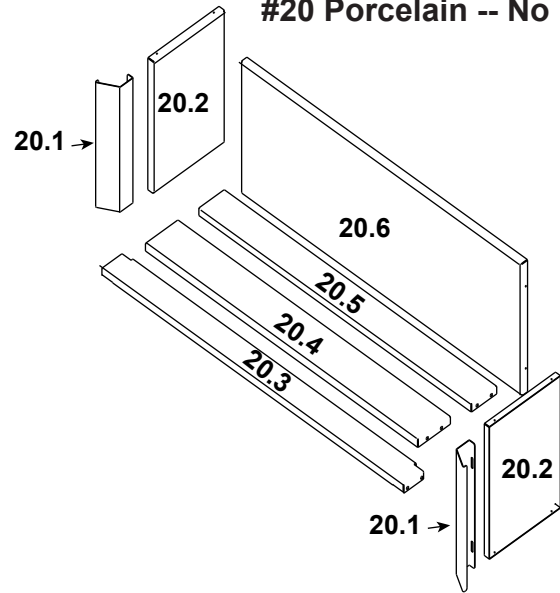
ITEM	DESCRIPTION	COMMENTS	PART NUMBER
19	No longer available		GR40-F
19.1	Refractory Outer		2155-217
19.2	Refractory, Inner (Qty 3 req)		2155-215
19.3	Refractory, Inner Btm (Qty 3 req)		2155-216
19.4	Refractory, Corner (Qty 2 req)		2155-235
19.5	Refractory, Side (Qty 2 req)		2155-210
19.6	Refractory, Back (Qty 3 req)		2155-209

### #21 Granite -- With Media



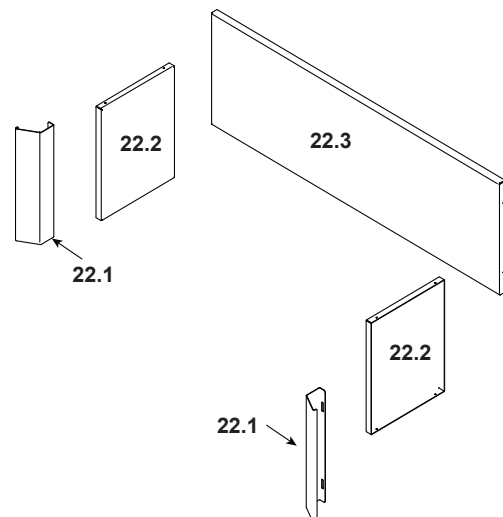
ITEM	DESCRIPTION	PART NUMBER
21	No longer available	GR40-L
21.1	Refractory, Corner (Qty 2 req)	2175-225
21.2	Refractory, Side (Qty 2 req)	2155-210
21.3	Refractory, Back (Qty 3 req)	2155-209

### #20 Porcelain -- No Media



ITEM	DESCRIPTION	COMMENTS	PART NUMBER
20	No longer available		POR40-F
20.1	Refractory, Corner (Qty 2 req)		2155-230
20.2	Refractory, Side (Qty 2 req)		2155-223
20.3	Refractory, Outer Bottom		2155-226
20.4	Refractory, Inner Front		2155-224
20.5	Refractory, Inner		2155-225
20.6	Refractory, Back		2155-222

### #22 Porcelain -- With Media



ITEM	DESCRIPTION	PART NUMBER
22	Refractory Kit	POR40-L
22.1	Refractory, Corner (Qty 2 req)	2155-219
22.2	Refractory, Side (Qty 2 req)	2155-223
22.3	Refractory, Back	2155-222