

IMPORTANT: THIS IS DATED INFORMATION. Parts must be ordered from a dealer or distributor. **Hearth and Home Technologies does not sell directly to consumers.** Provide model number and serial number when requesting service parts from your dealer or distributor.



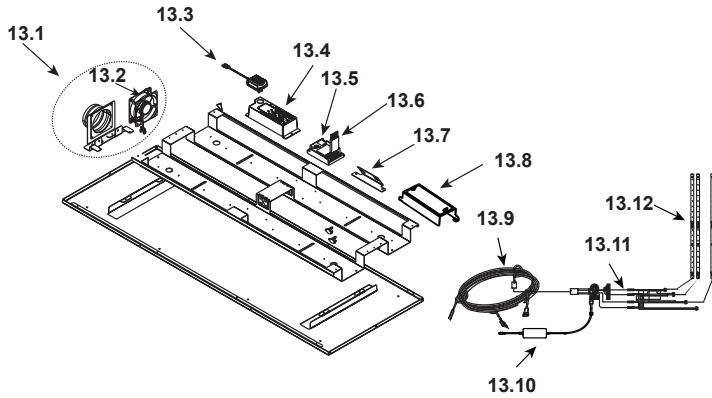
Stocked at Depot

ITEM	DESCRIPTION	COMMENTS	PART NUMBER	
1	Pilot Shield		2155-173	
2	Non Combustible Board, Side Finish Panel	Qty 2 req	2155-460	
3	Mesh Clips	Pre 12/31/14	2155-184/4	Y
		Post 12/31/14	2155-193	
4	Glass Assembly		GLA-RED40	Y
5	Fire screen Door Assembly	Pre 12/31/14	SRV2155-012	
		Post 12/31/14	SRV2155-040	
	Mesh	Pre 12/31/14	2155-031	
		Post 12/31/14	2155-032	
6	Bottom Face Plate		2155-112	
7	Bottom Base Assembly		SRV2155-025	
8	Burner Assembly NG/LP		2155-007	Y
9	Non Combustible Board, Outer		2155-461	
10	Non Combustible Board, Inner		2155-462	
11	Panel Cover, Side		2155-140	
12	Vent Assembly		2155-071	
	Grill Panel		2155-150	
	Glass Latch Support Assembly	Qty 2 req	2155-045	Y

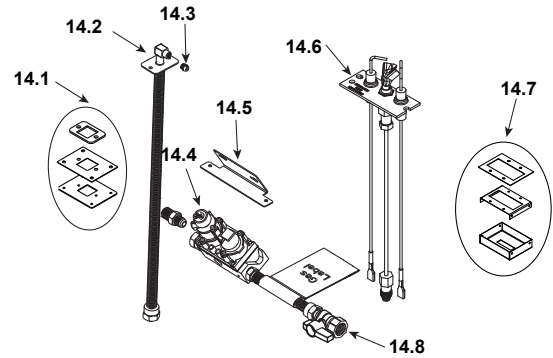
No one builds a better fire

Beginning Manufacturing Date: Feb 2014
Ending Manufacturing Date: May 2015

#13 Control Assembly



#14 Valve Assembly



IMPORTANT: THIS IS DATED INFORMATION. Parts must be ordered from a dealer or distributor. **Hearth and Home Technologies does not sell directly to consumers.** Provide model number and serial number when requesting service parts from your dealer or distributor.

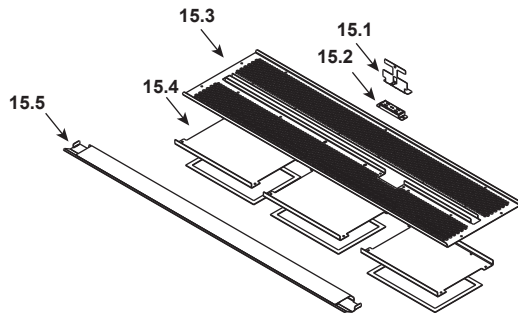


**Stocked
at Depot**

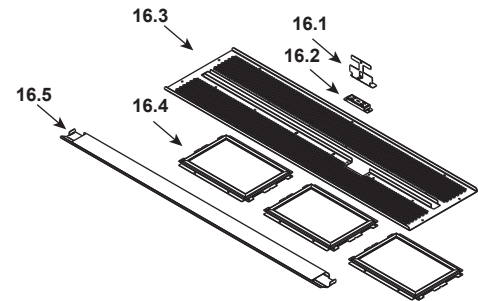
ITEM	DESCRIPTION	COMMENTS	PART NUMBER	
13.1	Fan Assembly with Bracket		2155-070	
13.2	Blower Assembly		705-567A	Y
13.3	Transformer		SRV593-593	Y
13.4	Junction Box		SRV4021-013	Y
13.5	Control Module		SRV593-592	Y
13.6	Wire Assembly		SRV593-590	Y
13.7	Valve Bracket		2155-149	
13.8	Heat Shield, Module		2155-188	
13.9	LED Control Cable		2155-755	Y
13.10	LED Power Supply		2273-318	Y
13.11	LED Jumper Connections		2155-752	Y
13.12	LED Light Bar Assembly	Qty 3 req	2155-057	Y
14.1	Flex Plate/ Gasket Assembly		2155-044	
14.2	18" Flex Tube Assembly		530-302A	Y
14.3	Orifice NG (#34C)		582-834	Y
	Orifice LP (#50C)		582-850	Y
14.4	Valve NG		750-500	Y
	Valve LP		750-501	Y
14.5	Valve Bracket		2155-149	
14.6	Pilot Assembly NG		SRV2090-012	Y
	Pilot Assembly LP		2090-013	Y
14.7	Pilot Bracket Assembly		2155-049	
14.8	Flex Ball Valve Assembly		SRV302-320	Y

Additional service part numbers on following page.

#15 Base Pan No Lights with Media



#16 Base Pan With Lights and Media



IMPORTANT: THIS IS DATED INFORMATION. Parts must be ordered from a dealer or distributor. **Hearth and Home Technologies does not sell directly to consumers.** Provide model number and serial number when requesting service parts from your dealer or distributor.



Stocked at Depot

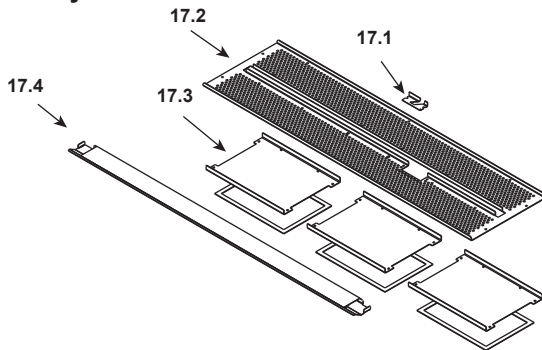
ITEM	DESCRIPTION	COMMENTS	PART NUMBER	
RED40-NM No Lights) Media Required				
15	Base Pan With Media		2155-026	
15.1	Rock Placement Jig		2155-170	
15.2	Pilot Cover		2155-160	
15.3	Base Pan		2155-151	
15.4	Bottom Plate	Qty 3 req	2155-161	
15.5	Access Panel Assembly		2155-060	
	Rock	Solid White	MEDIA-WHITE	
		No longer available	MEDIA-ONYX	
	Refractory	No longer available	GR40-L	
		Porcelain	POR40-L	
RED40-LM (w/Lights) Media Required				
16	Base Pan with Media		2155-027	
16.1	Rock Placement Jig		2155-170	
16.2	Pilot Cover		2155-171	
16.3	Base Pan		2155-151	
16.4	Glass Assembly, Lights	Qty 3 req	2155-019	
16.5	Access Panel Assembly		2155-060	
	Rock	Ruby Red	MEDIA-RED	
		Clear	MEDIA-CLEAR	
		No longer available	MEDIA-GREEN	
		Deep Blue	MEDIA-BLUE	
	Refractory	No longer available	GR40-L	
		Porcelain	POR40-L	
	Convert from Porcelain or Granite to Metal Refractory	Qty 2 req	2155-232	
	On/Off Switches	Lighted Units Only	2155-204	Y

Additional service part numbers on following page.

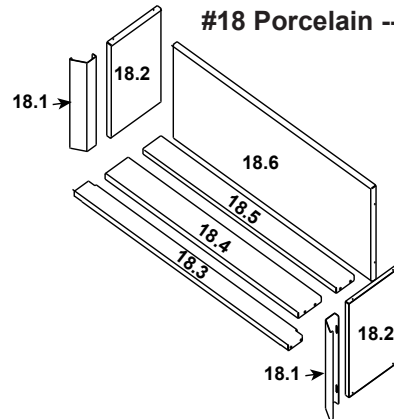
No one builds a better fire

Beginning Manufacturing Date: Feb 2014
Ending Manufacturing Date: May 2015

#17 Base Pan No Lights, No Media, No refractory



#18 Porcelain -- No Media



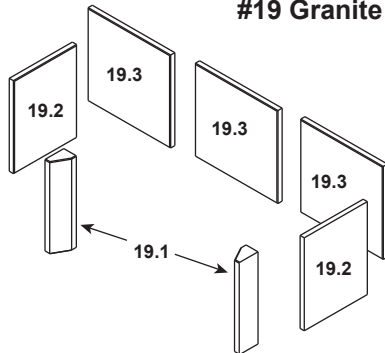
IMPORTANT: THIS IS DATED INFORMATION. Parts must be ordered from a dealer or distributor. **Hearth and Home Technologies does not sell directly to consumers.** Provide model number and serial number when requesting service parts from your dealer or distributor.



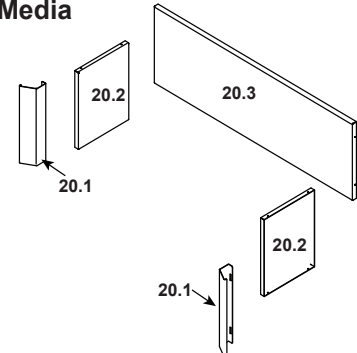
**Stocked
at Depot**

ITEM	DESCRIPTION	COMMENTS	PART NUMBER
RED40-NNN (No lights, No Rock, No Refractory)			
17	Base Pan No Media Option		2155-028
17.1	Burner Insert		2155-160
17.2	Base Pan		2155-152
17.3	Bottom Plate	Qty 3 req	2155-161
17.4	Access Panel Assembly		2155-060
	Refractory	Metal	SMR-40NL
18	Refractory Kit	No longer available	POR40-F
18.1	Refractory, Corner (Qty 2 req)		2155-230
18.2	Refractory, Side (Qty 2 req)		2155-223
18.3	Refractory, Outer Bottom		2155-226
18.4	Refractory, Inner Front		2155-224
18.5	Refractory, Inner		2155-225
18.6	Refractory, Back		2155-222

#19 Granite -- With Media



#20 Porcelain -- With Media



ITEM	DESCRIPTION	PART NUMBER
19	No longer available	GR40-L
19.1	Refractory, Corner (Qty 2 req)	2175-225
19.2	Refractory, Side (Qty 2 req)	2155-210
19.3	Refractory, Back (Qty 3 req)	2155-209

ITEM	DESCRIPTION	PART NUMBER
20	Refractory Kit	POR40-L
20.1	Refractory, Corner (Qty 2 req)	2155-219
20.2	Refractory, Side (Qty 2 req)	2155-223
20.3	Refractory, Back	2155-222