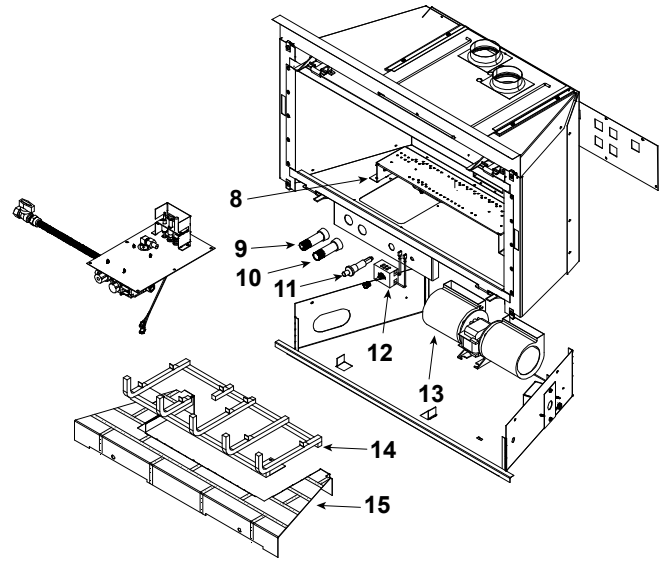
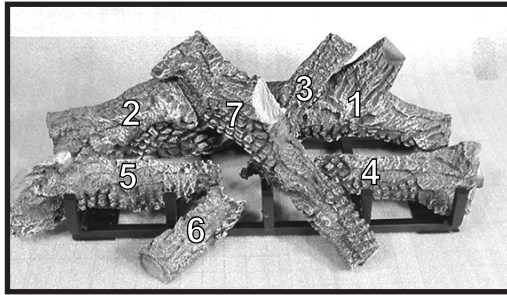


### Log Set Assembly



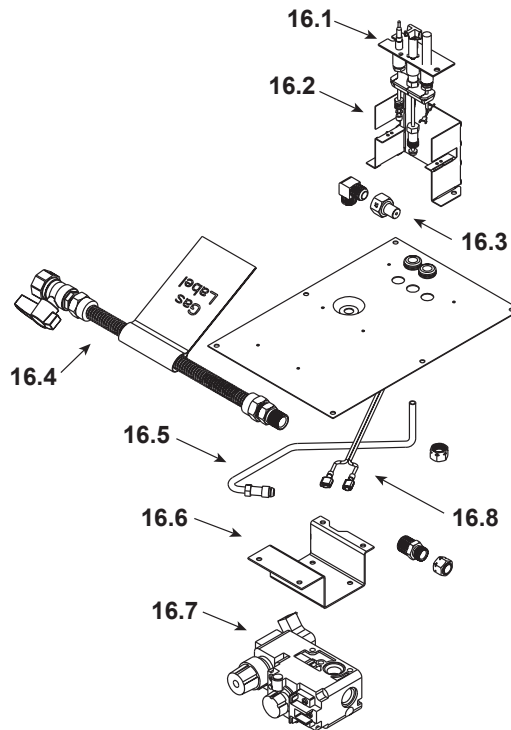
**IMPORTANT: THIS IS DATED INFORMATION.** Parts must be ordered from a dealer or distributor. **Hearth and Home Technologies does not sell directly to consumers.** Provide model number and serial number when requesting service parts from your dealer or distributor.



**Stocked  
at Depot**

ITEM	DESCRIPTION	COMMENTS	PART NUMBER	
	Log Set Assembly	No longer available	LOGS-RDVINF	
1	Log #1	No longer available	SRV527-712	
2	Log #2	No longer available	SRV527-713	
3	Log #3	No longer available	SRV527-706	
4	Log #4	No longer available	SRV527-714	
5	Log #5	No longer available	SRV527-702	
6	Log #6	No longer available	SRV527-707	
7	Log #7	No longer available	SRV527-717	
8	Burner Assembly, NG & LP	No longer available	438-131A	
9	Knob, Pilot Control	No longer available	571-530	
10	Knob, Flame Control	No longer available	571-531	
11	Piezo Ignitor		291-513	Y
12	Rheostat		SRV100-510A	Y
13	Fan Kit		GFK-160A	
14	Grate Assembly	No longer available	527-360A	
15	Refractory, Base	No longer available	527-124	
	Decorative Front, Arch	No longer available	DF-RDVI-ARCH	
	Decorative Front, Bay with Mesh	No longer available	DF-RDVI-BAY	
	Decorative Front, Rectangluar	No longer available	DF-RDVI-R	
	Glass Assembly	No longer available	GLA-ATSC	
	On/Off Rocker Switch		060-521A	Y
	Refractory, Side	No longer available	REFW-RDVI	
	Wall Switch, Off White	No longer available	WSK-21	
	Wall Switch, White		WSK-21-W	

#16 Valve Assembly



IMPORTANT: THIS IS DATED INFORMATION. Parts must be ordered from a dealer or distributor. **Hearth and Home Technologies does not sell directly to consumers.** Provide model number and serial number when requesting service parts from your dealer or distributor.



Stocked at Depot

ITEM	DESCRIPTION	COMMENTS	PART NUMBER	
16.1	Pilot Assembly NG		4021-736	Y
	Pilot Assembly LP		4021-737	Y
	Pilot Tube		SRV485-301	Y
	Thermocouple		446-511	Y
	Thermopile		2103-512	Y
16.2	Pilot Bracket	No longer available	571-164	
16.3	Orifice NG (#37A)	No longer available	079-830	
	Orifice LP (#52A)	No longer available	057-801	
16.4	Flex Ball Valve Assembly		SRV302-320	Y
16.5	Flex Tube Assembly		477-301A	Y
16.6	Valve Bracket	No longer available	571-152	
16.7	Valve NG		060-522	Y
	Valve LP		060-523	Y
16.8	Wire Assembly	No longer available	049-552A	
	Conversion Kit NG	No longer available	NGK-RDVI-NF	
	Conversion Kit LP	No longer available	LPK-RDVI-NF	
	Pilot Orifice NG		SRV446-505	Y
	Pilot Orifice LP		SRV446-517	Y
	Regulator NG		SRV060-518	Y
	Regulator LP		060-519	Y