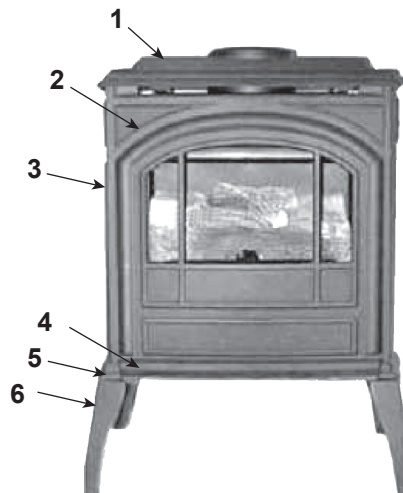


Log Set Assembly



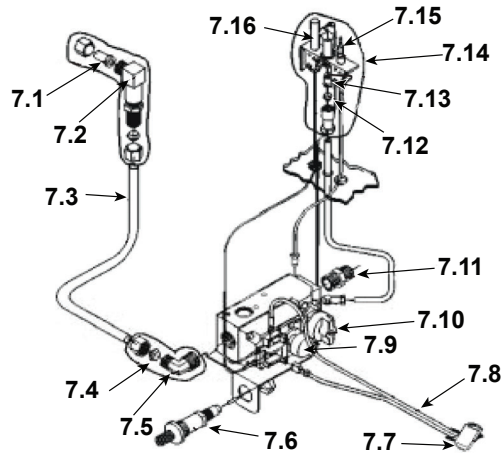
IMPORTANT: THIS IS DATED INFORMATION. When requesting service or replacement parts for your appliance please provide model number and serial number. All parts listed in this manual may be ordered from an authorized dealer.



**Stocked
at Depot**

ITEM	DESCRIPTION	COMMENTS	PART NUMBER	
	Log Assembly	No longer available	30711	
1	Plate - Top	No longer available	844-0590	
2	Plate - Front	No longer available	27826	
3	Plate - Side	No longer available	27825	
4	Ashlip	No longer available	844-0240	
		No longer available	855-0270	
5	Plate - Bottom	No longer available	844-5690	
6	Leg	No longer available	855-0190	
		No longer available	855-0220	
		No longer available	855-0180	
	Air Shutter	No longer available	29047	
	Baffle - Front	No longer available	29037	
	Baffle - Rear	No longer available	29036	
	Burner Assembly	No longer available	844-8150	
	Ceramic Glass Panel	No longer available	844-8580	
	Ember Tray	No longer available	29054	
	Flexible Line (supply) 16 in.	No longer available	700-197	
	Gasket Cover	No longer available	31271	
	Glass Frame	No longer available	29040	
	Glass Gasket	10 feet	844-3010	Y
	Mineral Wool	No longer available	200-2550	
	Pilot Shield	No longer available	844-5210	
	Pilot Tubing 1/4 in.	No longer available	844-6850	
	Plate - Back	No longer available	29041	
	Relief Door	No longer available	30513	

#7 Valve Assembly



IMPORTANT: THIS IS DATED INFORMATION. When requesting service or replacement parts for your appliance please provide model number and serial number. All parts listed in this manual may be ordered from an authorized dealer.



**Stocked
at Depot**

ITEM	DESCRIPTION	COMMENTS	PART NUMBER	
7.1	Burner Orifice - NG (.106)		19837	Y
	Burner Orifice - LP (.063)		SRV17236	Y
7.2	Bulk Head (90 degrees)	No longer available	844-1950	
7.3	Gas Tubing 3/8 in.	No longer available	844-5000	
7.4	Brass Compression Ring 3/8 in.	No longer available	844-1960	
7.5	Male Connector Brass		SRV17524	
7.6	Push Button Ignitor		291-513	Y
7.7	Rocker Switch ON/OFF		SRV32D0232	Y
7.8	Wire Assembly	No longer available	844-1990	
7.9	Regulator Hi/Low - NG		SRV060-518	Y
	Regulator Hi/Low - LP		SRV19900	
7.10	Valve - NG		SRV24033	Y
	Valve - LP		SRV24034	Y
7.11	Brass Male Connector	No longer available	844-1400	
7.12	Brass Compression Ring 1/4 in.	No longer available	844-2150	
7.13	Pilot Orifice - NG	No longer available	844-2160	
	Pilot Orifice - LP	No longer available	844-2170	
7.14	Pilot Assembly - NG		SRV25174	Y
	Pilot Assembly - LP	No longer available	25175	
7.15	Thermocouple		SRV72956	Y
7.16	Thermopile		842-0250	Y
	Valve ON/OFF		SRV15697	
	Conversion Kit (LP)	No longer available	844-9050	
	Conversion Kit (NG)	No longer available	844-9040	