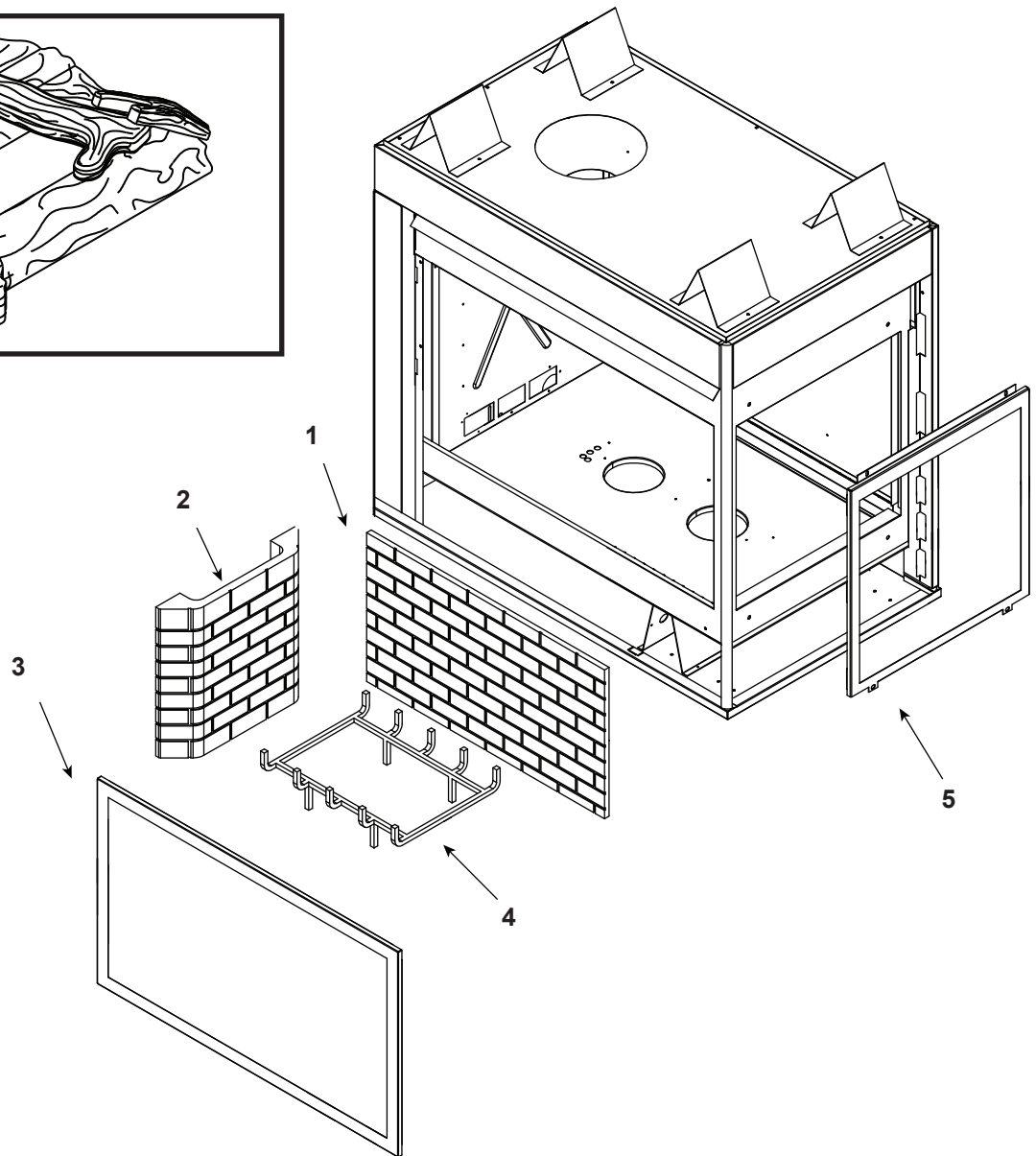
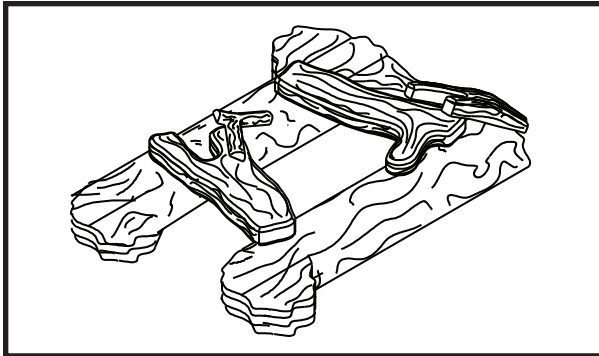


## Log Set Assembly



IMPORTANT: THIS IS DATED INFORMATION. Parts must be ordered from a dealer or distributor. **Hearth and Home Technologies does not sell directly to consumers.** Provide model number and serial number when requesting service parts from your dealer or distributor.



**Stocked  
at Depot**

ITEM	DESCRIPTION	COMMENTS	PART NUMBER
	Log Set Assembly	No longer available	ST-LOGS-30
1	Refractory	No longer available	075-135
2	Refractory, End	No longer available	28643
3	Glass Door Assembly (Left)	No longer available	GLA-PTV-L
4	Grate Assembly	No longer available	047-360A
5	Glass Door Assembly (End)	No longer available	GLA-PTV-E



No one builds a better fire

Beginning Manufacturing Date: Aug 1992  
Ending Manufacturing Date: Feb 1995

IMPORTANT: THIS IS DATED INFORMATION. Parts must be ordered from a dealer or distributor. **Hearth and Home Technologies does not sell directly to consumers.** Provide model number and serial number when requesting service parts from your dealer or distributor.



Stocked at Depot

ITEM	DESCRIPTION	COMMENTS	PART NUMBER	
	Burner NG	No longer available	064-326A	
	Burner LP	No longer available	064-325A	
	Burner Orifice NG (#30B)		064-800	Y
	Burner Orifice LP (#50B)	No longer available	049-801	
	Burner Tube	No longer available	570-302A	
	Fan Kit		GFK-160A	
	High Temp Limit Switch (NG)		SRV4021-383	Y
	Junction Box		100-250A	Y
	Piezo Ignitor		291-513	Y
	Pilot Assembly NG		446-512A	Y
	Pilot Assembly LP		446-513A	Y
	Thermopile		2103-512	Y
	Pilot Tube		SRV446-301	Y
	Remote		SMART-STAT-HHT	
	Touch Up Paint		TUPB-12	
	Valve NG		060-500	Y
	Valve LP		060-501	Y
	Conversion Kit NG	No longer available	NGK-PTV	
	Conversion Kit LP	No longer available	LPK-PTV	
	Pilot Orifice NG		SRV446-505	Y
	Pilot Orifice LP		SRV446-517	Y
	Regulator NG		060-504	Y
	Regulator LP		SRV060-516	Y
<b>DSI Components</b>				
	Electrode	No longer available	416-591	
	Module	No longer available	398-592	
	Transformer	No longer available	060-599	Y
	Valve NG	No longer available	SRV462-500	
<b>HSI Components</b>				
	Ignitor	No longer available	060-593	
	Module	No longer available	060-592	
	Transformer	No longer available	060-599	
	Valve, NG/LP ( LP conversion option included )	No longer available	060-503	