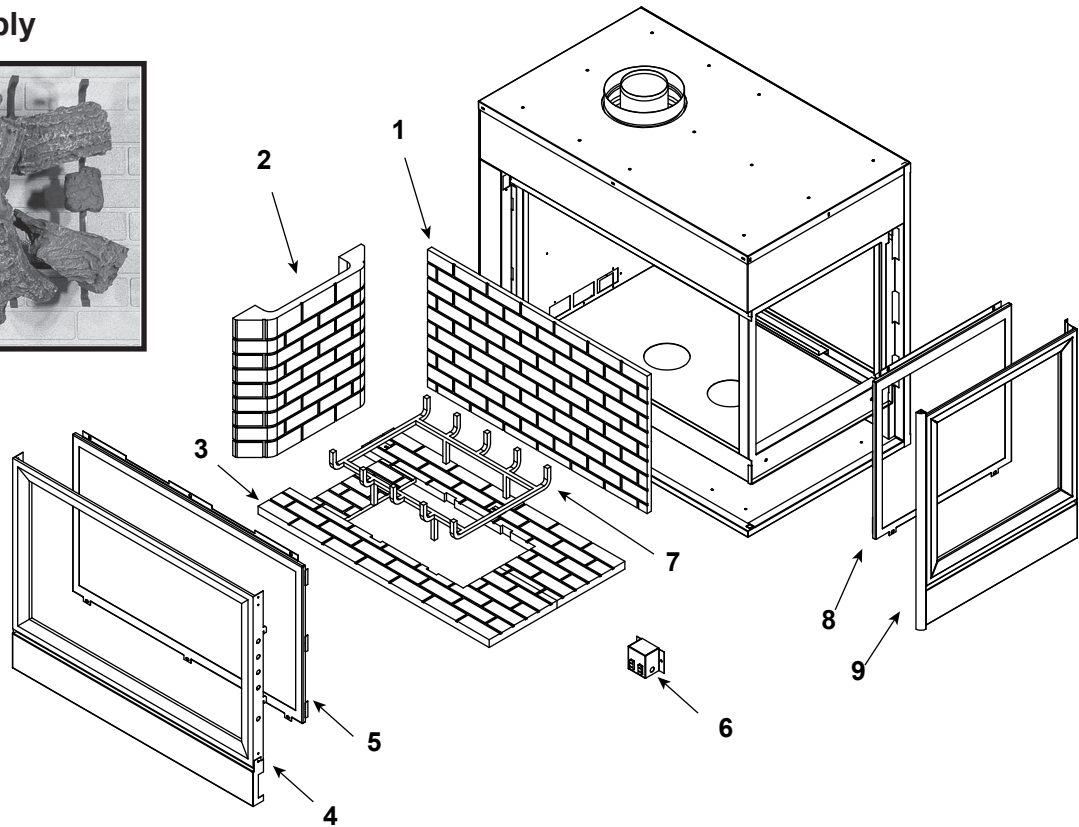
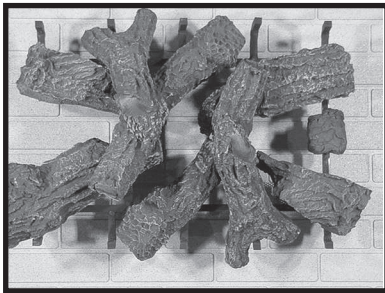


## Log Set Assembly



IMPORTANT: THIS IS DATED INFORMATION. Parts must be ordered from a dealer or distributor. **Hearth and Home Technologies does not sell directly to consumers.** Provide model number and serial number when requesting service parts from your dealer or distributor.



Stocked at Depot

ITEM	DESCRIPTION	COMMENTS	PART NUMBER	
	Log Set Assembly		LOGS-PTRC	Y
	Upper Middle Log	<b>No longer available, Must order complete assembly</b>	SRV402-701	
	Bottom left Log		SRV446-703	
	Top Cross Log		SRV446-717	
	Center Log		SRV501-700	
1	Refractory, Back	No longer available	SRV504-736-UM	
2	Refractory, Rear	No longer available	SRV504-737-UM	
3	Refractory	No longer available	SRV504-738-UM	
4	Decorative Assembly	No longer available	DF-36H	
5	Glass Door Assembly NG	No longer available	GLA-PTRC	
		Post 1201	GLA-PIER	Y
	Glass Door Assembly LP	No longer available	GLA-PTRC	
		Post 1010	GLA-PIER	Y
6	Junction Box	Standing Pilot	100-250A	Y
		No longer available	100-254A	
7	Grate Assembly	No longer available	501-363	
8	Glass Door Assembly (End)	No longer available	GLA-PTRC-E	
9	Door Assembly (End)	No longer available	DF-PTRCE	



No one builds a better fire

Beginning Manufacturing Date: Aug 1997  
Ending Manufacturing Date: June 2001

IMPORTANT: THIS IS DATED INFORMATION. Parts must be ordered from a dealer or distributor. **Hearth and Home Technologies does not sell directly to consumers.** Provide model number and serial number when requesting service parts from your dealer or distributor.



**Stocked  
at Depot**

ITEM	DESCRIPTION	COMMENTS	PART NUMBER	
	Fan Kit		GFK-160A	
	Remote		SMART-STAT-HHT	
	Touch Up Paint		TUPB-12	
<b>Standing Pilot Components</b>				
	Burner NG		SRV501-176A	Y
	Burner LP		SRV501-175A	Y
	Burner Orifice NG (#30B)		064-800	Y
	Burner Orifice LP (#49B)		047-801	Y
	Burner Tube	No longer available	570-302A	
	High Temp Limit Switch (NG)		092-531	Y
	Hood	No longer available	455-322	
	Piezo Ignitor		291-513	Y
	Pilot Assembly NG		4021-736	Y
	Pilot Assembly LP		4021-737	Y
	Thermopile		2103-512	Y
	Pilot Tube		SRV485-301	Y
	Valve NG		060-522	Y
	Valve LP		060-523	Y
	Conversion Kit NG	No longer available	NGK-PTVFLB	
	Conversion Kit LP	No longer available	LPK-PTVFLB	
	Pilot Orifice NG		SRV446-505	Y
	Pilot Orifice LP		SRV446-517	Y
	Regulator NG		SRV060-504	Y
	Regulator LP		SRV060-516	Y
<b>DSI Components</b>				
	Ignitor		501-591	Y
	Module	No longer available	501-592	
	Valve NG		492-500	Y
	Valve LP	No longer available	492-501	