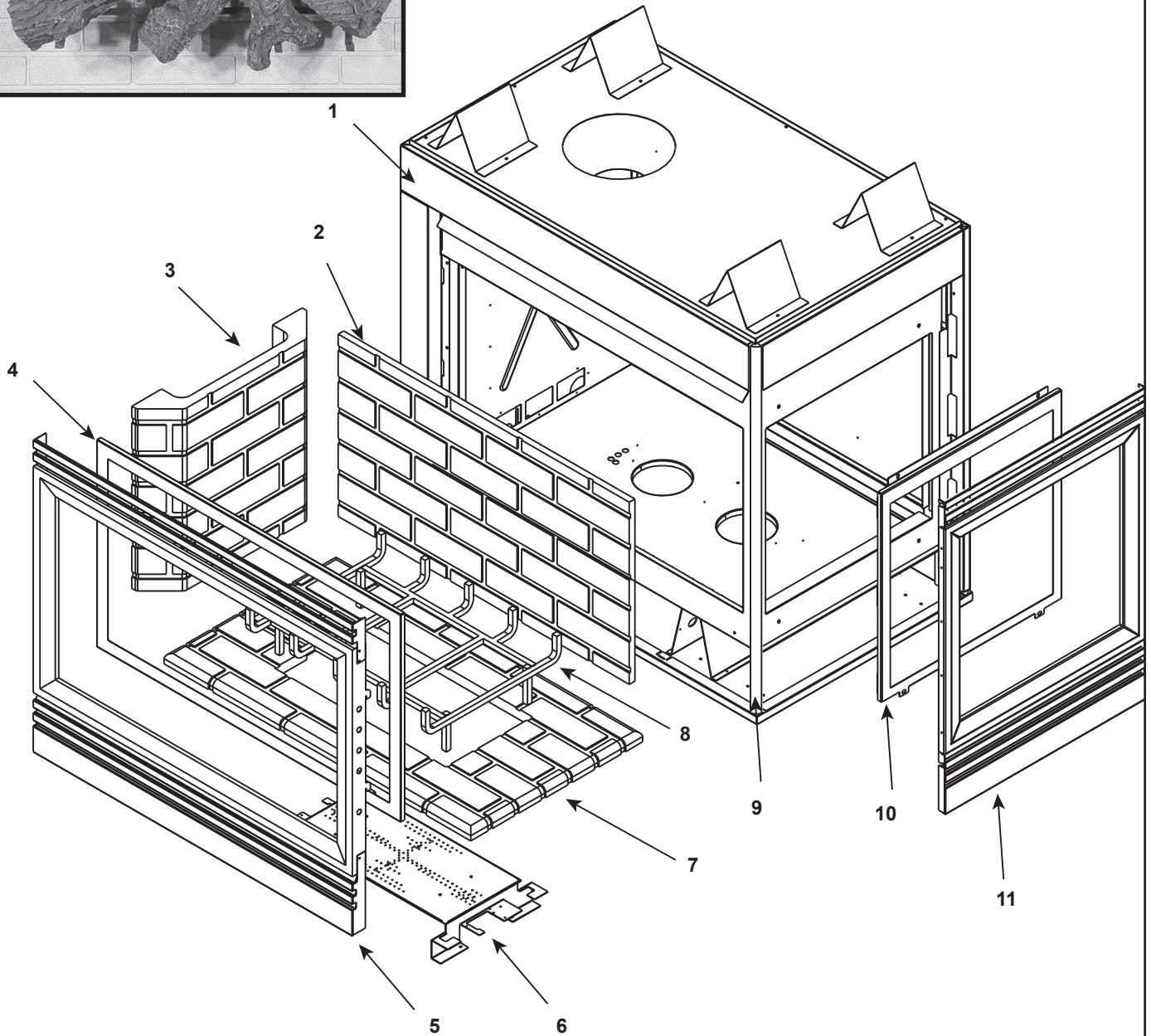
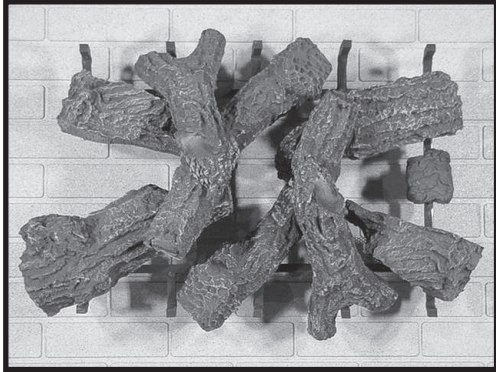


## Log Set Assembly



Part number list on following page.



No one builds a better fire

Beginning Manufacturing Date: June 1997  
 DSI Ending Manufacturing Date: Aug 2002  
 SP & IPI Ending Manufacturing Date: Sept 2003

IMPORTANT: THIS IS DATED INFORMATION. Parts must be ordered from a dealer or distributor. **Hearth and Home Technologies does not sell directly to consumers.** Provide model number and serial number when requesting service parts from your dealer or distributor.



Stocked at Depot

ITEM	DESCRIPTION	COMMENTS	PART NUMBER	Stocked at Depot
	Log Set Assembly NG	Pre 3355	LOGS-PTRC	Y
		Post 3355	LOGS-MS	Y
	Log Set Assembly LP	Pre 1478	LOGS-PTRC	Y
		Post 1478	LOGS-MS	Y
1	Surround Side left	No longer available	501-232	
2	Refractory Back	No longer available	SRV504-736-UM	
3	Refractory End	No longer available	SRV504-737-UM	
4	Glass Door Assembly NG	No longer available	GLA-PTRC	
		Post 2132	GLA-PIER	Y
	Glass Door Assembly LP	No longer available	GLA-PTRC	
		Post 1240	GLA-PIER	Y
5	Decorative Front	No longer available	DF-36H	
6	Burner NG	Pre 3178	SRV501-176A	Y
		3178 Thru 3355	501-173A	Y
		Post 3355	501-272A	Y
	Burner LP	Pre 1427	SRV501-175A	Y
		1427 thru 1478	501-172A	Y
Post 1478	501-273A	Y		
7	Base Refractory	No longer available	SRV504-738-UM	
8	Grate Assembly	No longer available	674-364	
9	Exrusion with Holes	No longer available	464-343	
10	Glass Door Assembly, End	No longer available	GLA-PTRC-E	
11	Decorative Front End	No longer available	DF-PTRCE	
	Burner Orifice <b>NG</b> (#30B)	Pre 3102	064-800	Y
	Burner Orifice <b>NG</b> (32B)	No longer available	573-800	
	Burner Orifice <b>LP</b> (#49B)	Pre 1473	047-801	Y
	Burner Orifice <b>LP</b> (1.8MM B)	No longer available	501-801	
	Burner Tube	No longer available	SRV501-302	
	Fan Kit		GFK-160A	
	Flex Ball Valve Assembly		SRV302-320	Y
	Glass Clip	No longer available	501-135	
	Junction Box	Standing Pilot & IPI	100-250A	Y
		No longer available	100-254A	
	On/Off, Switch		SRV32D0232	Y
	Remote		SMART-STAT-HHT	
	Touch Up Paint		TUP-GBK-12	

Valve assembly components on following page



No one builds a better fire

Beginning Manufacturing Date: June 1997  
 DSI Ending Manufacturing Date: Aug 2002  
 SP & IPI Ending Manufacturing Date: Sept 2003

IMPORTANT: THIS IS DATED INFORMATION. Parts must be ordered from a dealer or distributor. **Hearth and Home Technologies does not sell directly to consumers.** Provide model number and serial number when requesting service parts from your dealer or distributor.



Stocked at Depot

ITEM	DESCRIPTION	COMMENTS	PART NUMBER	
<b>Standing Pilot Ignition</b>				
	Piezo Ignitor		291-513	Y
	Pilot Assembly NG		4021-736	Y
	Pilot Assembly LP		4021-737	Y
	Thermopile		2103-512	Y
	Thermocouple		446-511	Y
	Pilot Tube		SRV485-301	Y
	Valve NG		060-522	Y
	Valve LP		060-523	Y
	Conversion Kit NG	No longer available	NGK-PTRD	
		No longer available	NGK-PTRCMS	
	Conversion Kit LP	No longer available	LPK-PTRD	
		No longer available	LPK-PTRCMS	
	Pilot Orifice NG		SRV446-505	Y
	Pilot Orifice LP		SRV446-517	Y
	Regulator NG		SRV060-518	Y
	Regulator LP		060-519	Y
<b>DSI Igniton</b>				
	Electrode		501-591	Y
	Module	No longer available	501-592	
	Valve NG		492-500	Y
	Valve LP	No longer available	492-501	
<b>IPI Igniton</b>				
	3v Transformer		SRV593-593	Y
	Battery Pack		SRV593-594	Y
	Module		SRV593-592	Y
	Module Wire Assembly		SRV593-590	Y
	Pilot Assembly NG		SRV4021-730	Y
	Pilot Assembly LP		SRV4021-731	Y
	Thermopile		2103-512	Y
	Thermocouple		446-511	Y
	Pilot Tube		SRV485-301	Y
	Valve NG		750-500	Y
	Valve LP		750-501	Y
	Conversion Kit NG		N/A	
	Conversion Kit LP	No longer available	LPK-MS-IPI	
	Pilot Orifice NG		SRV446-505	Y
	Pilot Orifice LP		SRV446-517	Y
	Regulator NG		SRVNGK-DXV	Y
	Regulator LP		SRVLPK-DXV	Y