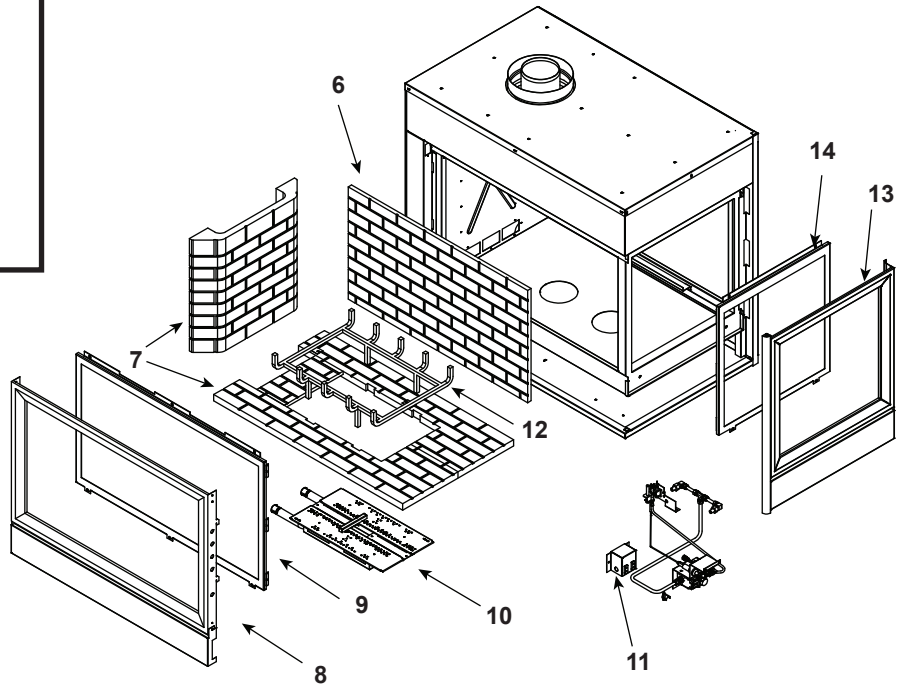
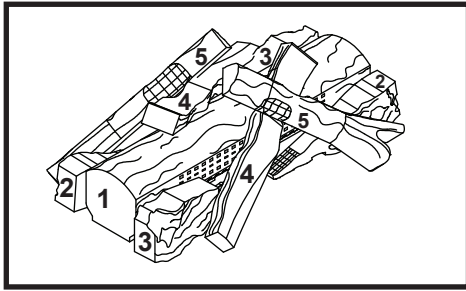


Log Set Assembly



IMPORTANT: THIS IS DATED INFORMATION. Parts must be ordered from a dealer or distributor. **Hearth and Home Technologies does not sell directly to consumers.** Provide model number and serial number when requesting service parts from your dealer or distributor.



Stocked at Depot

| ITEM | DESCRIPTION | COMMENTS | PART NUMBER | |
|------|--------------------------|---------------------|--------------|---|
| | Log Set Assembly | No longer available | LOGS-PTR-SPL | |
| 1 | Log 1 | No longer available | SRV462-721 | |
| 2 | Log 2 (two each) | | SRV446-702 | |
| 3 | Log 3 (two each) | | SRV446-703 | |
| 4 | Log 4 (two each) | | SRV446-704 | |
| 5 | Log 5 (two each) | | SRV446-705 | |
| 6 | Refractory Back | No longer available | SRV468-735 | |
| 7 | Refractory Kit | No longer available | SRV462-750A | |
| 8 | Decorative Front | No longer available | DF-PTR | |
| 9 | Glass Door Assembly | No longer available | GLA-PTR | |
| 10 | Burner NG | No longer available | 462-376A | |
| | | No longer available | 462-386A | |
| | Burner LP | No longer available | 462-375A | |
| | | No longer available | 462-385A | |
| 11 | Junction Box | Standing Pilot | 100-250A | Y |
| | | No longer available | 100-254A | |
| 12 | Grate Assembly | No longer available | 462-361A | |
| 13 | Decorative Front End | No longer available | DF-PTRE | |
| 14 | Glass Door Assembly, End | No longer available | GLA-PTRC-E | Y |

