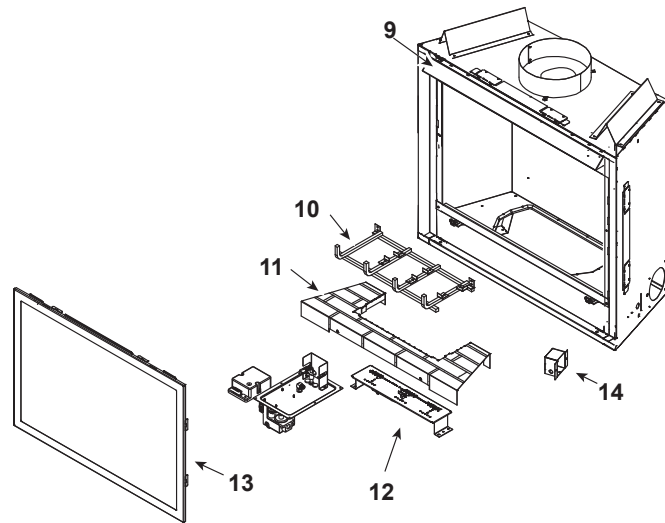
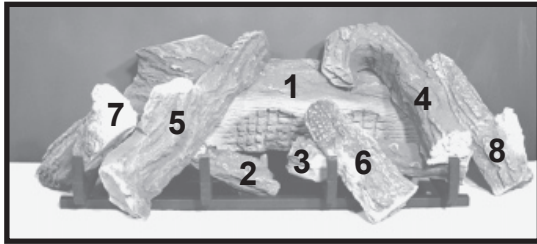


### Log Set Assembly



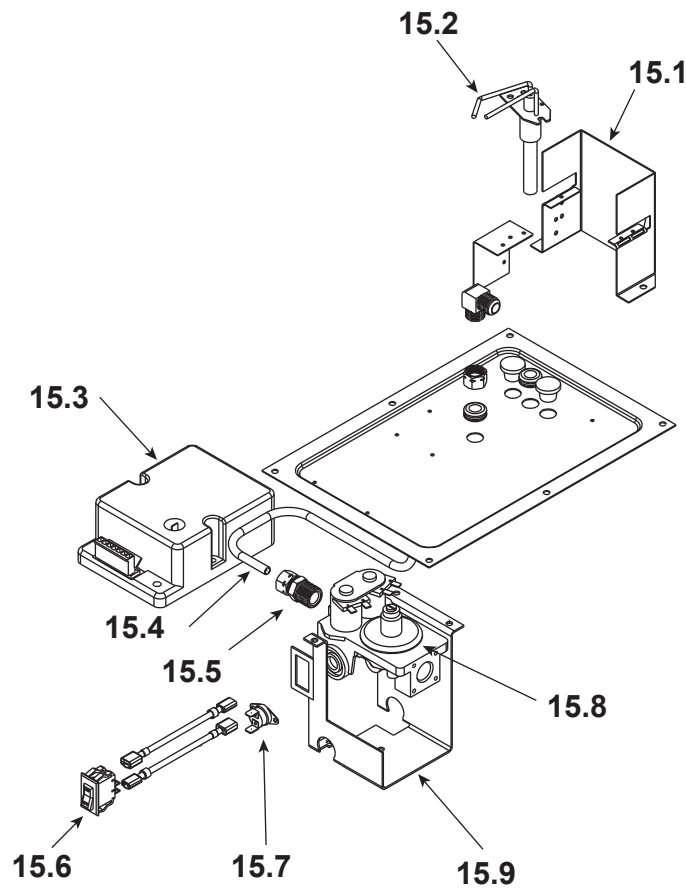
**IMPORTANT: THIS IS DATED INFORMATION.** Parts must be ordered from a dealer or distributor. **Hearth and Home Technologies does not sell directly to consumers.** Provide model number and serial number when requesting service parts from your dealer or distributor.



**Stocked  
at Depot**

ITEM	DESCRIPTION	COMMENTS	PART NUMBER	
	Log Set Assembly	No longer available	LOGS-R65	
1	Log	No longer available	SRV536-711	
2	Log	No longer available	SRV536-705	
3	Log	No longer available	SRV536-706	
4	Log	No longer available	SRV536-704	
5	Log	No longer available	SRV536-718	
6	Log	No longer available	SRV459-710	
7	Log	No longer available	SRV484-705	
8	Log	No longer available	SRV446-714	
9	Hood		SRV560-175	
10	Log Grate	No longer available	545-360A	
11	Refractory, Base NG, LP	No longer available	557-124	
12	Burner NG	No longer available	557-231A	
	Burner LP	No longer available	557-233A	
13	Glass Door Assembly		GLA-950TR	Y
14	Junction Box		100-250A	Y
	Glass Latch Support Assembly	Pkg of 2	386-122A/2	Y
	Louver Kit, Black	No longer available	BLK-65	
	Louver Kit, Deluxe	No longer available	DLX-65	
	Mesh Kit, Black Louver	No longer available	MESH-R65-BLK	
	Mesh Kit, Deluxe Louver	No longer available	MESH-R65-DLK	
	Mineral Wool		050-721	
	Wall Switch Kit, Off-White	No longer available	WSK-21	
	Wall Switch Kit, White		WSK-21-W	

**#15 Valve Assembly**



IMPORTANT: THIS IS DATED INFORMATION. Parts must be ordered from a dealer or distributor. **Hearth and Home Technologies does not sell directly to consumers.** Provide model number and serial number when requesting service parts from your dealer or distributor.



**Stocked  
at Depot**

ITEM	DESCRIPTION	COMMENTS	PART NUMBER	
15.1	Pilot Bracket	No longer available	530-164	
15.2	Ignitor		501-591	Y
15.3	DSI Module	No longer Available	501-592	
15.4	Burner Tube		477-301A	Y
15.5	On/Off, Switch		SRV32D0232	Y
15.6	Temperature Sensor		SRV4021-383	Y
15.7	DSI Valve Bracket	No longer available	550-252	
15.8	DSI Valve - NG		492-500	Y
	Conversion Kit - NG	No longer Available	NGK-6500TV	
	Conversion Kit - LP	No longer Available	LPK-6500TV	
	Pilot Orifice - NG		SRV446-505	Y
	Pilot Orifice - LP		SRV446-517	Y
	Regulator - NG		SRV060-504	Y
	Regulator - LP		SRV060-516	Y