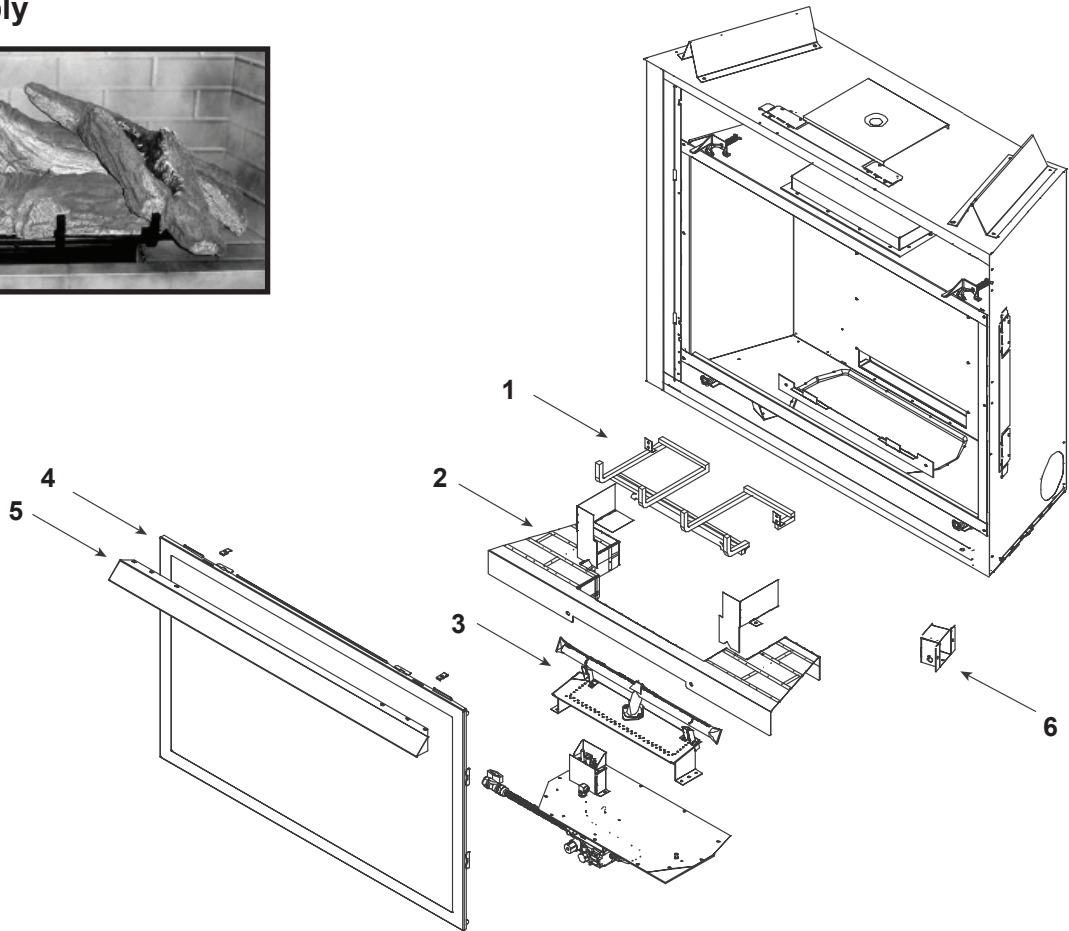


Log Set Assembly



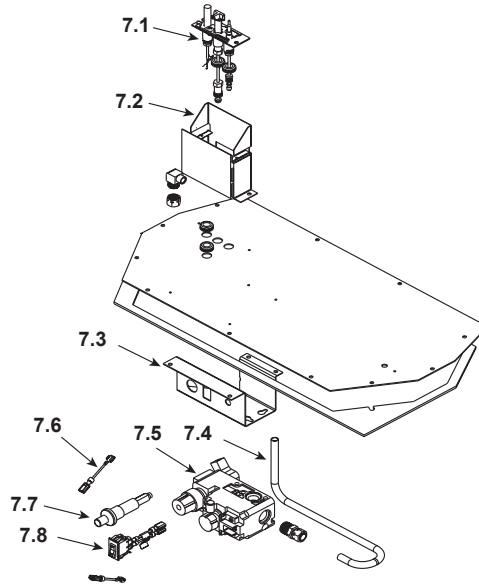
IMPORTANT: THIS IS DATED INFORMATION. Parts must be ordered from a dealer or distributor. **Hearth and Home Technologies does not sell directly to consumers.** Provide model number and serial number when requesting service parts from your dealer or distributor.



**Stocked
at Depot**

ITEM	DESCRIPTION	COMMENTS	PART NUMBER	
	Log Assembly	No longer available	LOGS-R65	
1	Grate Assembly		562-360A	
2	Base Refractory		562-124	
3	Burner Assembly NG	No longer available	562-177A	
	Burner Assembly LP	No longer available	562-178A	
4	Glass Door Assembly		GLA-950TR	Y
5	Hood		SRV560-175	
6	Junction Box		100-250A	Y
	Baffle		530-299	
	Fan Kit		GFK-160A	
	when replacing fan kit, a 3-prong adaptor may be purchased from a hardware store			
	Glass Latch Support Assembly	Pkg of 2	386-122A/2	Y

#7 Valve Assembly



IMPORTANT: THIS IS DATED INFORMATION. Parts must be ordered from a dealer or distributor. **Hearth and Home Technologies does not sell directly to consumers.** Provide model number and serial number when requesting service parts from your dealer or distributor.



**Stocked
at Depot**

ITEM	DESCRIPTION	COMMENTS	PART NUMBER	
7.1	Pilot Assembly NG		2103-010	Y
	Pilot Assembly LP		2103-011	Y
	Pilot Tube		SRV485-301	Y
	Thermocouple		446-511	Y
	Thermopile		2103-512	Y
7.2	Pilot Bracket	No longer available	562-162	
7.3	Valve Bracket	No longer available	550-169	
7.4	Gas Tube		567-301A	Y
7.5	Valve NG		060-522	Y
	Valve LP		060-523	Y
7.6	Wire Assembly	No longer available	049-552A	
7.7	Piezo Ignitor		291-513	Y
7.8	On/Off Rocker Switch		060-521A	Y
	Flex Ball Valve Assembly		SRV302-320	Y
	Orifice NG (#36C)		582-836	Y
	Orifice LP (#51C)		SRV582-851	Y
	Conversion Kit NG		N/A	
	Conversion Kit LP	No longer available	LPK-6500TRX	
	Pilot Orifice NG		SRV446-505	Y
	Pilot Orifice Lp		SRV446-517	Y
	Regulator NG		SRV060-518	Y
	Regulator LP		060-519	Y