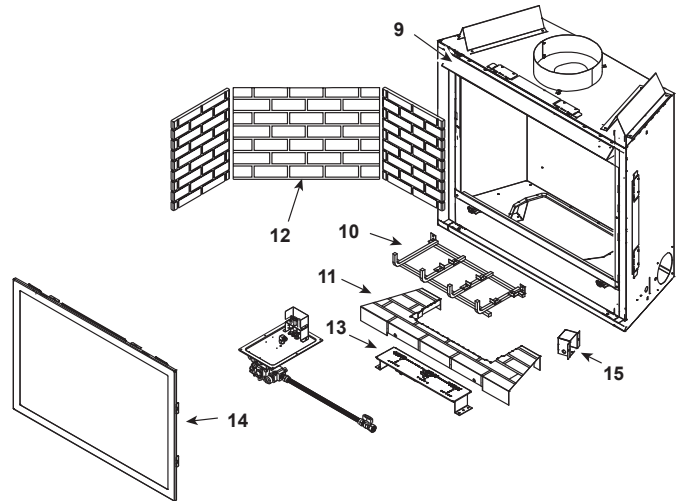
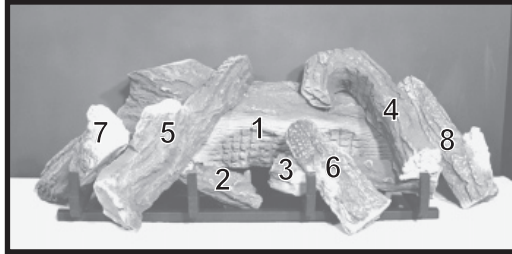


Log Set Assembly



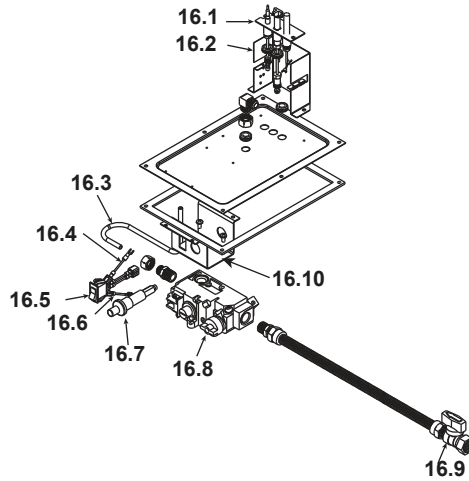
IMPORTANT: THIS IS DATED INFORMATION. Parts must be ordered from a dealer or distributor. **Hearth and Home Technologies does not sell directly to consumers.** Provide model number and serial number when requesting service parts from your dealer or distributor.



**Stocked
at Depot**

ITEM	DESCRIPTION	COMMENTS	PART NUMBER	
	Log Set Assembly	No longer available	LOGS-R65	
1	Log	No longer available	SRV536-711	
2	Log	No longer available	SRV536-705	
3	Log	No longer available	SRV536-706	
4	Log	No longer available	SRV536-704	
5	Log	No longer available	SRV536-718	
6	Log	No longer available	SRV459-710	
7	Log	No longer available	SRV484-705	
8	Log	No longer available	SRV446-714	
9	Hood		SRV550-175	
10	Log Grate	No longer available	536-360A	
11	Refractory, Base NG, LP	No longer available	557-124	
12	Refractory, Side & Back Walls	No longer available	REFW-65	
13	Burner, NG	No longer available	557-231A	
	Burner, LP	No longer available	557-233A	
14	Glass Door Assembly		GLA-6TROC	Y
15	Junction Box		100-250A	Y
	Extended Vertical Baffle Kit		530-299	
	Fan Kit		GFK-160A	
when replacing fan kit, a 3-prong adaptor may be purchased from a hardware store				
	Louver Kit, Black	No longer available	BLK-65	
	Louver Kit, Deluxe	No longer available	DLX-65	
	Mesh Kit Black Louver Set	No longer available	MESH-R65-BLK	
	Mesh Kit Deluxe Louver Set	No longer available	MESH-R65-DLX	
	Wall Switch Kit, Off White	No longer available	WSK-21	
	Wall Switch Kit, White		WSK-21-W	

#16 Valve Assembly



IMPORTANT: THIS IS DATED INFORMATION. Parts must be ordered from a dealer or distributor. **Hearth and Home Technologies does not sell directly to consumers.** Provide model number and serial number when requesting service parts from your dealer or distributor.



Stocked at Depot

ITEM	DESCRIPTION	COMMENTS	PART NUMBER	
16.1	Pilot Assembly - NG	R-6500TR	2103-010	Y
		R-6500TR-NL	4021-736	Y
	Pilot Assembly - LP	R-6500TR	2103-011	Y
		R-6500TR-NL	4021-737	Y
	Thermocouple		446-511	Y
	Thermopile		2103-512	Y
	Pilot Tube		SRV485-301	Y
16.2	Pilot Bracket	No longer available	530-164	
16.3	Flex Tube Assembly		477-301A	Y
16.4	Wire Assembly 1/4" Piggyback	Qty 2 req	049-551A	Y
16.5	On/Off Rocker Switch		060-521A	Y
16.6	Wire Assembly 18"	No longer available	045-554A	
16.7	Piezo Ignitor		291-513	Y
16.8	Valve - NG		060-520	Y
	Valve - LP		060-521	Y
16.9	Flex Ball Valve Assembly		531-320A	Y
16.10	Valve Bracket	No longer available	520-152	
	Burner Orifice - NG (#37A)	No longer available	079-830	
	Burner Orifice - LP (#53A)	No longer available	520-801	
	Conversion Kit - NG	No longer available	NGK-6500TR	
	Conversion Kit - LP	No longer available	LPK-6500TR	
	Pilot Orifice - NG		SRV446-505	Y
	Pilot Orifice - LP		SRV446-517	Y
	Regulator - NG		SRV060-504	Y
	Regulator - LP		SRV060-516	Y