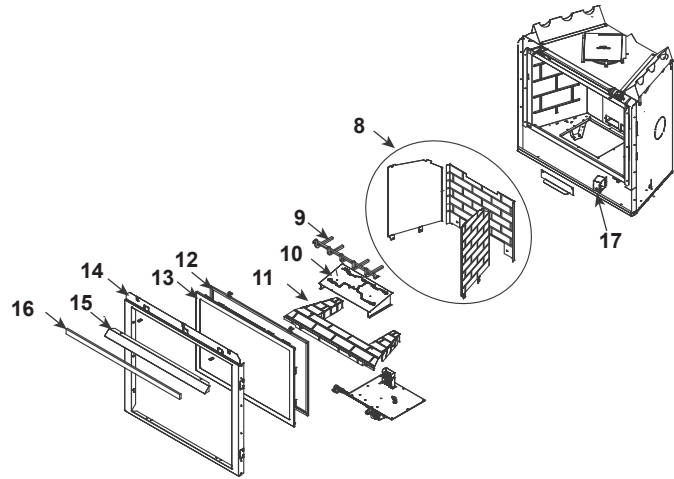
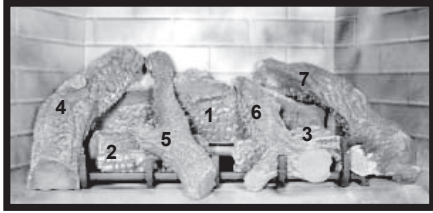


Log Set Assembly



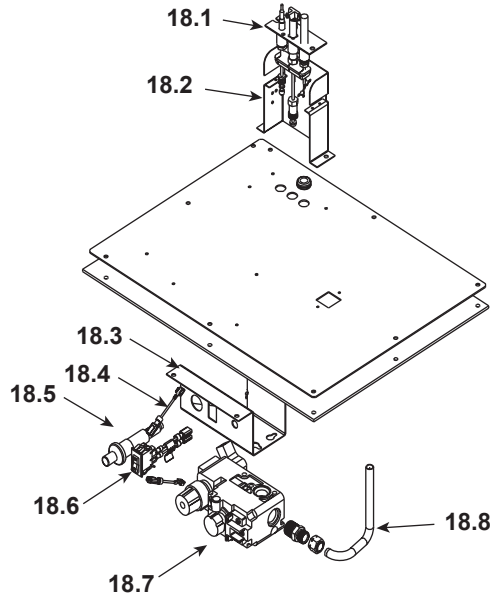
IMPORTANT: THIS IS DATED INFORMATION. Parts must be ordered from a dealer or distributor. **Hearth and Home Technologies does not sell directly to consumers.** Provide model number and serial number when requesting service parts from your dealer or distributor.



**Stocked
at Depot**

ITEM	DESCRIPTION	COMMENTS	PART NUMBER	
	Log Assembly	No longer available	LOGS-R55C	
1	Log #1	No longer available	SRV364-701	
2	Log #2	No longer available	SRV364-706	
3	Log #3	No longer available	SRV364-707	
4	Log #4	No longer available	SRV364-702	
5	Log #5	No longer available	SRV364-704	
6	Log #6	No longer available	SRV364-705	
7	Log #7	No longer available	SRV278-707	
8	Refractory (Set Only)	No longer available	REFW-55C	
9	Grate Assembly	No longer available	364-360A	
10	Burner Assembly NG	No longer available	362-176A	
	Burner Assembly LP	No longer available	362-175A	
11	Refractory Base	No longer available	382-124G	
12	Mesh Assembly	No longer available	MESH-6000	
13	Glass Assembly		GLA-6TROC	Y
14	Surround	No longer available	385-130	
15	Hood		SRV60-143-BK	
16	Insulation Board	No longer available	385-401	
17	Junction Box		100-250A	Y
	Exhaust Shield		385-105	
	Fan Kit		GFK-160A	
	when ordering a replacement fan, a 3-prong adaptor may be purchased from a hardware store			
	Flue Restrictor		385-128	
	Glass Latch Support Assembly	Pkg of 2	386-122A/2	Y
	Log Support	No longer available	364-121	
	Mineral Wool		050-721	
	Vermiculite Embers		MYSTIC-EMBERS	

#18 Valve Assembly



IMPORTANT: THIS IS DATED INFORMATION. Parts must be ordered from a dealer or distributor. **Hearth and Home Technologies does not sell directly to consumers.** Provide model number and serial number when requesting service parts from your dealer or distributor.



**Stocked
at Depot**

ITEM	DESCRIPTION	COMMENTS	PART NUMBER	
18.1	Pilot Assembly NG		4021-736	Y
	Pilot Assembly LP		4021-737	Y
	Pilot Tube		SRV485-301	Y
	Thermocouple		446-511	Y
	Thermopile		2103-512	Y
18.2	Pilot Bracket	No longer available	385-164	
18.3	Valve Bracket	No longer available	550-169	
18.4	Wire Assembly	No longer available	049-552A	
18.5	Piezo Ignitor		291-513	Y
18.6	On/OffRocker Switch		060-521A	Y
18.7	Valve NG		060-522	Y
	Valve LP		060-523	Y
18.8	Flex 12		477-301A	Y
	Flex Ball Valve Assembly		SRV302-320	Y
	Orifice NG (#36C)		582-836	Y
	Orifice LP (#51C)		SRV582-851	Y
	Conversion Kit NG	No longer available	NGK-R55TRC	
	Conversion Kit LP	No longer available	LPK-R55TRC	
	Orifice Pilot NG		SRV446-505	Y
	Orifice Pilot LP		SRV446-517	Y
	Regulator NG		SRV060-518	Y
	Regulator LP		060-519	Y