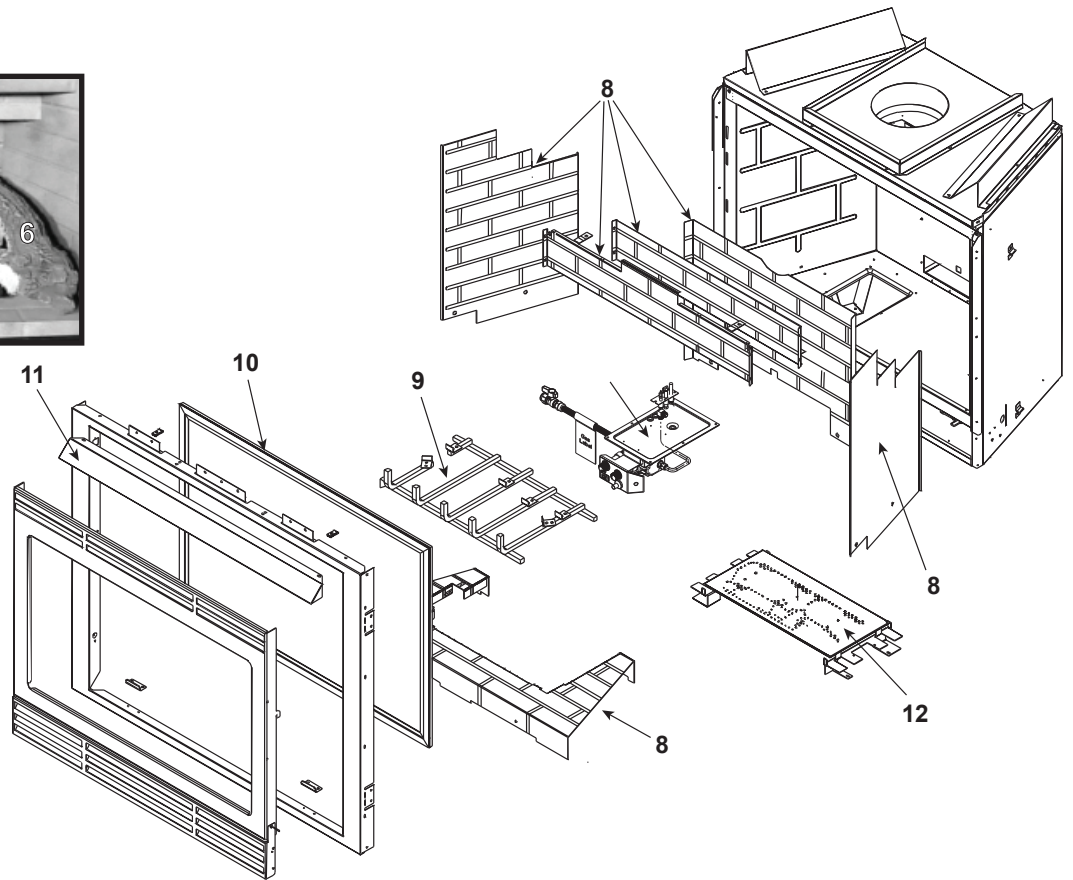


### Log Set Assembly



IMPORTANT: THIS IS DATED INFORMATION. Parts must be ordered from a dealer or distributor. **Hearth and Home Technologies does not sell directly to consumers.** Provide model number and serial number when requesting service parts from your dealer or distributor.

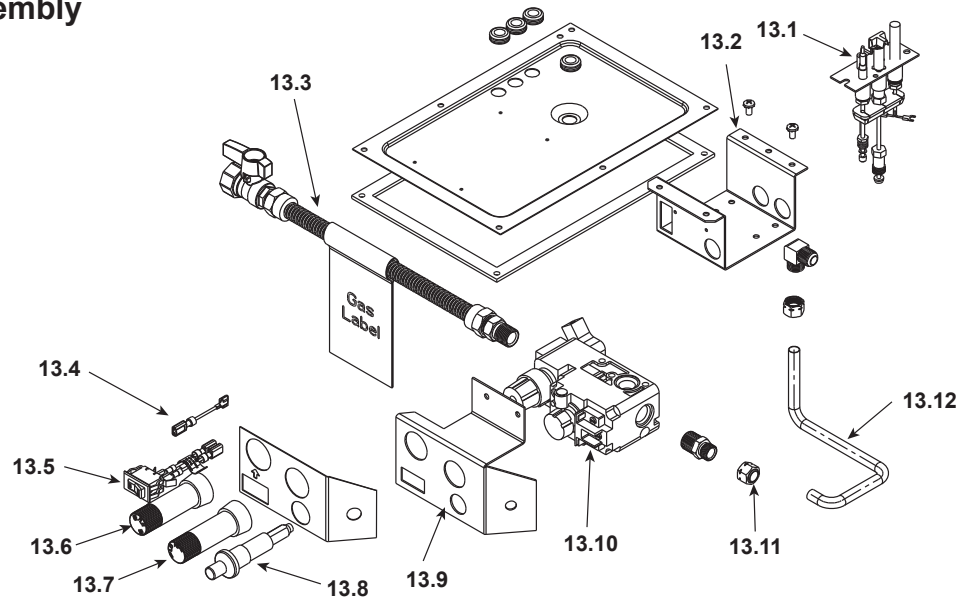


**Stocked  
at Depot**

ITEM	DESCRIPTION	COMMENTS	PART NUMBER	
	Log Set Assembly	No longer available	LOGS-R55TR	
1	Log	No longer available	SRV278-701	
2	Log	No longer available	SRV278-702	
3	Log	No longer available	SRV278-703	
4	Log	No longer available	SRV278-705	
5	Log	No longer available	SRV278-706	
6	Log	No longer available	SRV278-707	
7	Log	No longer available	SRV278-704	
8	Refractory, Kit	No longer available	REF-55	
9	Log Grate	No longer available	278-360A	
10	Glass Door Assembly		GLA-6TROC	Y
11	Hood		SRV60-143-BK	
12	Burner, NG	No longer available	277-176A	
	Burner, LP	No longer available	277-175A	

Additional service part numbers appear on following page.

### #13 Valve Assembly



IMPORTANT: THIS IS DATED INFORMATION. Parts must be ordered from a dealer or distributor. **Hearth and Home Technologies does not sell directly to consumers.** Provide model number and serial number when requesting service parts from your dealer or distributor.



**Stocked  
at Depot**

ITEM	DESCRIPTION	COMMENTS	PART NUMBER	
13.1	Pilot Assembly - NG		2103-010	Y
	Pilot Assembly - LP		2103-011	Y
	Thermocouple		446-511	Y
	Thermopile		2103-512	Y
	Pilot Tube		SRV485-301	Y
13.2	Valve Bracket	No longer available	550-152	
13.3	Flex Ball Valve Assembly		SRV302-320	Y
13.4	Wire Assembly 1/4 " Piggyback	No longer available	049-552A	
	Wire Assembly 18"	No longer available	045-554A	
13.5	On/Off Rocker Switch		060-521A	Y
13.6	Pilot Control Knob	No longer available	571-530	
13.7	Flame Control Knob	No longer available	571-531	
13.8	Piezo Ignitor		291-513	Y
13.9	Control Panel	No longer available	278-154	
13.10	Valve - NG		060-522	Y
	Valve - LP		060-523	Y
13.11	Brass Fitting 3/8 Compression	Qty 2 req	SRV32553	
13.12	Flex Tube Assembly		477-301A	Y
	Burner Orifice Top (#35A) - NG	No longer available	065-800	
	Burner Orifice Rear (#37A) - NG	No longer available	079-830	
	Burner Orifice (#51A) - LP	No longer available	079-803	

Additional service part numbers appear on following page.

