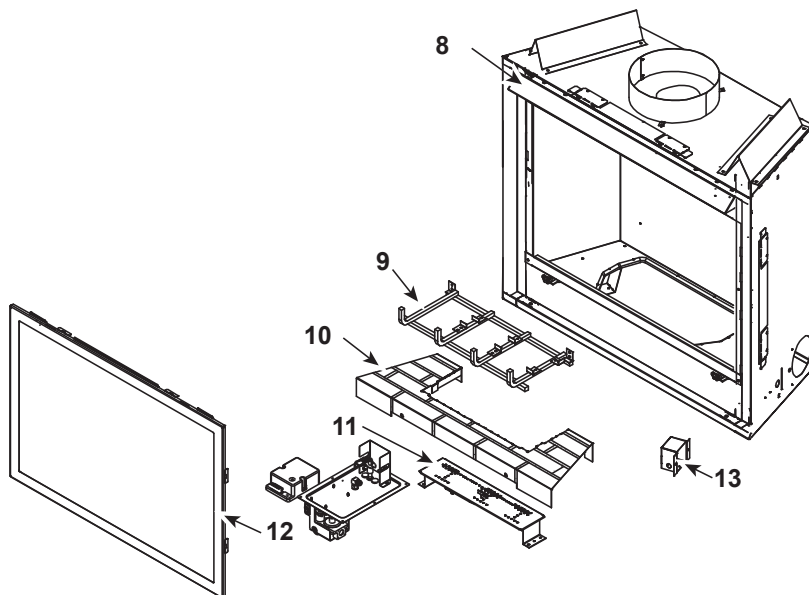
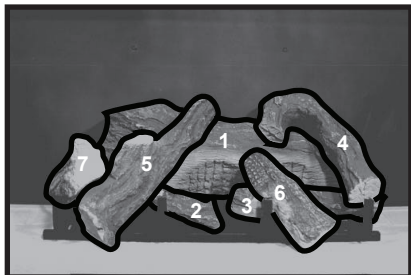


Log Set Assembly



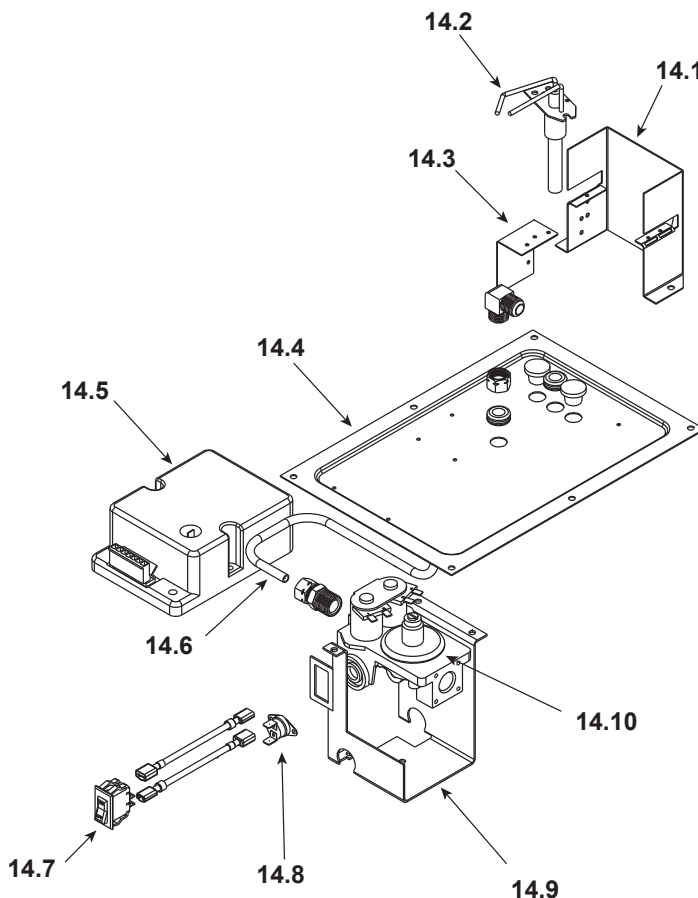
IMPORTANT: THIS IS DATED INFORMATION. Parts must be ordered from a dealer or distributor. **Hearth and Home Technologies does not sell directly to consumers.** Provide model number and serial number when requesting service parts from your dealer or distributor.



**Stocked
at Depot**

ITEM	DESCRIPTION	COMMENTS	PART NUMBER	
	Log Set Assembly	No longer available	LOGS-R45	
1	Log	No longer available	SRV536-711	
2	Log	No longer available	SRV536-705	
3	Log	No longer available	SRV536-706	
4	Log	No longer available	SRV536-704	
5	Log	No longer available	SRV536-718	
6	Log	No longer available	SRV459-710	
7	Log	No longer available	SRV446-714	
8	Hood	No longer available	SRV550-175	
9	Refractory, Base NG, LP	No longer available	REFB-45	
10	Log Grate	No longer available	545-360A	
11	Burner NG, LP	No longer available	557-131A	
12	Glass Door Assembly	No longer available	GLA-4500TV	
13	Junction Box		100-250A	Y
	Glass Latch Support Assembly	Pkg of 2	386-122A/2	Y
	Louver Kit, Black	No longer available	BLK-45	
	Louver Kit, Deluxe	No longer available	DLX-45	
	Mesh Kit, Black Louver	No longer available	MESH-R45-BLK	
	Mesh Kit, Deluxe Louver	No longer available	MESH-R45-DLK	
	Mineral Wool		050-721	
	Wall Switch Kit, Off-White	No longer available	WSK-21	
	Wall Switch Kit, White		WSK-21-W	

#14 Valve Assembly



IMPORTANT: THIS IS DATED INFORMATION. Parts must be ordered from a dealer or distributor. **Hearth and Home Technologies does not sell directly to consumers.** Provide model number and serial number when requesting service parts from your dealer or distributor.



**Stocked
at Depot**

ITEM	DESCRIPTION	COMMENTS	PART NUMBER	
14.1	Pilot Bracket	No longer available	530-164	
14.2	Ignitor		501-591	
14.3	DSI Ignitor Bracket	No longer available	550-164	
14.4	Valve Plate	No longer available	530-151	
14.5	DSI Module	No longer available	501-592	
14.6	Burner Tube		477-301A	Y
14.7	On/Off, Switch		SRV32D0232	Y
14.8	Temperature Sensor		SRV4021-383	
14.9	DSI Valve Bracket	No longer available	550-252	
14.10	DSI Valve - NG		492-500	Y