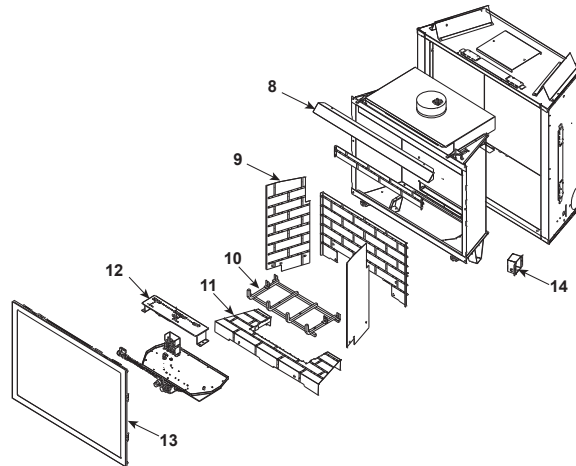
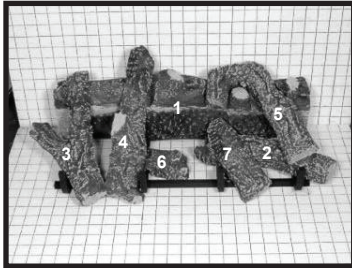


### Log Set Assembly



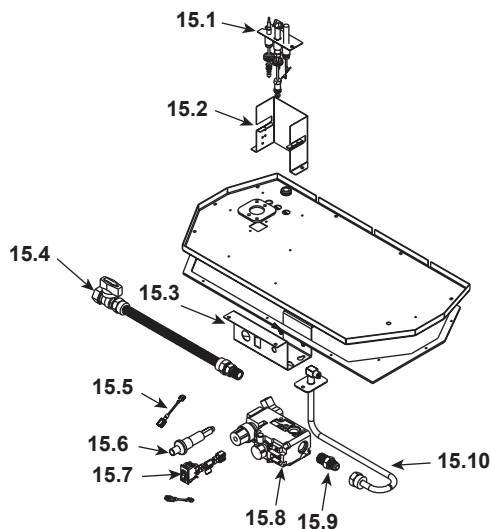
IMPORTANT: THIS IS DATED INFORMATION. Parts must be ordered from a dealer or distributor. **Hearth and Home Technologies does not sell directly to consumers.** Provide model number and serial number when requesting service parts from your dealer or distributor.



**Stocked  
at Depot**

ITEM	DESCRIPTION	COMMENTS	PART NUMBER	
	Log Set Assembly	<b>No longer available</b>	LOGS-R45H	
1	Log	<b>No longer available</b>	SRV537-134	
2	Log	<b>No longer available</b>	SRV537-135	
3	Log	<b>No longer available</b>	SRV537-705	
4	Log	<b>No longer available</b>	SRV537-718	
5	Log	<b>No longer available</b>	SRV544-704	
6	Log	<b>No longer available</b>	SRV544-707	
7	Log	<b>No longer available</b>	SRV544-709	
8	Hood		SRV60-143-BK	
9	Refractory, Side Wall	<b>No longer available</b>	REFW-45	
10	Refractory, Base NG, LP	<b>No longer available</b>	537-124	
11	Log Grate	<b>No longer available</b>	537-360A	
12	Burner - NG	<b>No longer available</b>	537-142A	
	Burner - LP	<b>No longer available</b>	537-132A	
13	Glass Door Assembly		GLA-750TRS	Y
14	Junction Box		100-250A	Y
	Exhaust Restrictor		530-299	
	Fan Kit		GFK-160A	
	when replacing fan kit, a 3-prong adaptor may be purchased from a hardware store			
	Glass Latch Support Assembly	Pkg of 2	386-122A/2	Y
	Louver Kit, Black	<b>No longer available</b>	BLK-45	
	Louver Kit, Deluxe	<b>No longer available</b>	DLX-45	
	Mesh Clip		537-380	
	Mineral Wool		050-721	
	Wall Switch Kit	<b>No longer available</b>	WSK-21	
	Wall Switch Kit, White		WSK-21-W	

### #15 Valve Assembly



IMPORTANT: THIS IS DATED INFORMATION. Parts must be ordered from a dealer or distributor. **Hearth and Home Technologies does not sell directly to consumers.** Provide model number and serial number when requesting service parts from your dealer or distributor.



Stocked  
at Depot

ITEM	DESCRIPTION	COMMENTS	PART NUMBER	
15.1	Pilot Assembly NG		4021-736	Y
	Pilot Assembly LP		4021-737	Y
	Thermocouple		446-511	Y
	Thermopile		2103-512	Y
	Pilot Tube		SRV485-301	Y
15.2	Pilot Bracket	No longer available	530-164	
15.3	Valve Bracket	No longer available	550-169	
15.4	Flex Ball Valve Assembly		SRV302-320	Y
15.5	Wire Assembly	No longer available	049-552A	
15.6	Piezo Ignitor		SRV14D0503	Y
15.7	On/Off Rocker Switch		060-521A	Y
15.8	Valve NG		060-522	Y
	Valve LP		060-523	Y
15.9	Male Connector	Pkg of 5	303-315/5	Y
15.10	Flex Tube Assembly		530-302A	Y
	Burner Orifice - NG (#36C)		582-836	Y
	Burner Orifice - LP (#52C)		SRV582-852	Y
	Burner Tube		477-301A	Y
	Conversion Kit - NG	No longer available	NGK-R45HC	
	Conversion Kit - LP	No longer available	LPK-R45HC	
	Pilot Orifice - NG		SRV446-505	Y
	Pilot Orifice - LP		SRV446-517	Y
	Regulator - NG		SRV060-518	Y
	Regulator - LP		060-519	Y