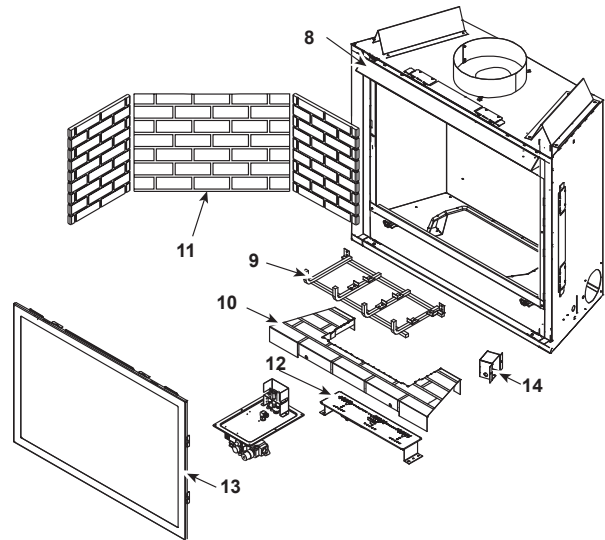
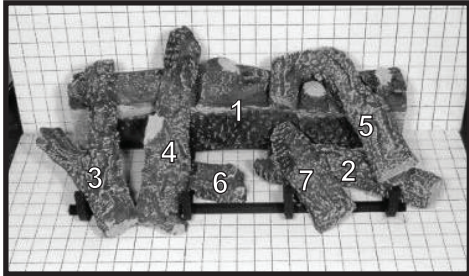


### Log Set Assembly



IMPORTANT: THIS IS DATED INFORMATION. Parts must be ordered from a dealer or distributor. **Hearth and Home Technologies does not sell directly to consumers.** Provide model number and serial number when requesting service parts from your dealer or distributor.

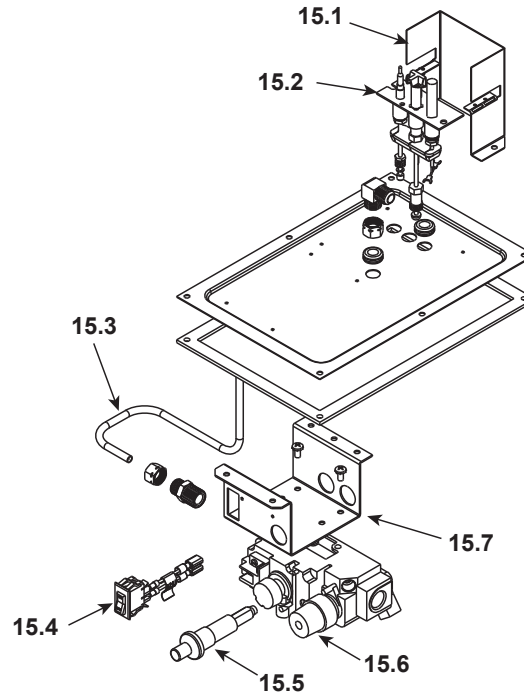


**Stocked  
at Depot**

ITEM	DESCRIPTION	COMMENTS	PART NUMBER	
	Log Set Assembly	No longer available	LOGS-R45H	
1	Log	No longer available	SRV537-134	
2	Log	No longer available	SRV537-135	
3	Log	No longer available	SRV537-705	
4	Log	No longer available	SRV537-718	
5	Log	No longer available	SRV544-704	
6	Log	No longer available	SRV544-707	
7	Log	No longer available	SRV544-709	
8	Hood	No longer available	SRV550-175	
9	Log Grate	No longer available	536-360A	
10	Refractory, Base NG, LP	No longer available	544-124	
11	Refractory, Side & Back Walls	No longer available	REFW-45	
12	Burner, NG	No longer available	544-142A	
	Burner, LP	No longer available	557-132A	
13	Glass Door Assembly		GLA-750TRS	Y
14	Junction Box		100-250A	Y
	Extended Vertical Baffle Kit		530-299	
	Fan Kit		GFK-160A	
	when replacing fan kit, a 3-prong adaptor may be purchased from a hardware store			
	Louver Kit, Black	No longer available	BLK-35	
	Louver Kit, Deluxe	No longer available	DLX-35	
	Mesh Kit Black Louver Set	No longer available	MESH-R45-BLK	
	Mesh Kit Deluxe Louver Set	No longer available	MESH-R45-DLX	
	Wall Switch Kit, Off White	No longer available	WSK-21	
	Wall Switch Kit, White		WSK-21-W	

Additional service part numbers appear on following page.

### #15 Valve Assembly



IMPORTANT: THIS IS DATED INFORMATION. Parts must be ordered from a dealer or distributor. **Hearth and Home Technologies does not sell directly to consumers.** Provide model number and serial number when requesting service parts from your dealer or distributor.



Stocked  
at Depot

ITEM	DESCRIPTION	COMMENTS	PART NUMBER	
15.1	Pilot Bracket	No longer available	530-164	
15.2	Pilot Assembly - NG		4021-736	Y
	Pilot Assembly - LP		4021-737	Y
	Thermocouple		446-511	Y
	Thermopile		2103-512	Y
	Pilot Tube		SRV485-301	Y
15.3	Flex Tube Assembly 12		477-301A	Y
15.4	On/Off Rocker Switch		060-521A	Y
15.5	Piezo Ignitor		291-513	Y
15.6	Valve - NG		060-522	Y
15.7	Valve Bracket	No longer available	520-152	
	Flex Ball Valve Assembly		531-320A	Y
	Burner Orifice - NG (#38A)	No longer available	057-800	
	Burner Orifice - LP (#52A)	No longer available	057-801	
	Conversion Kit - LP	No longer available	NGK-R45H	
	Conversion Kit - LP	No longer available	LPK-R45H	
	Pilot Orifice - NG		SRV446-505	Y
	Pilot Orifice - LP		SRV446-517	Y
	Regulator - NG		SRV060-518	Y
	Regulator - LP		060-519	Y