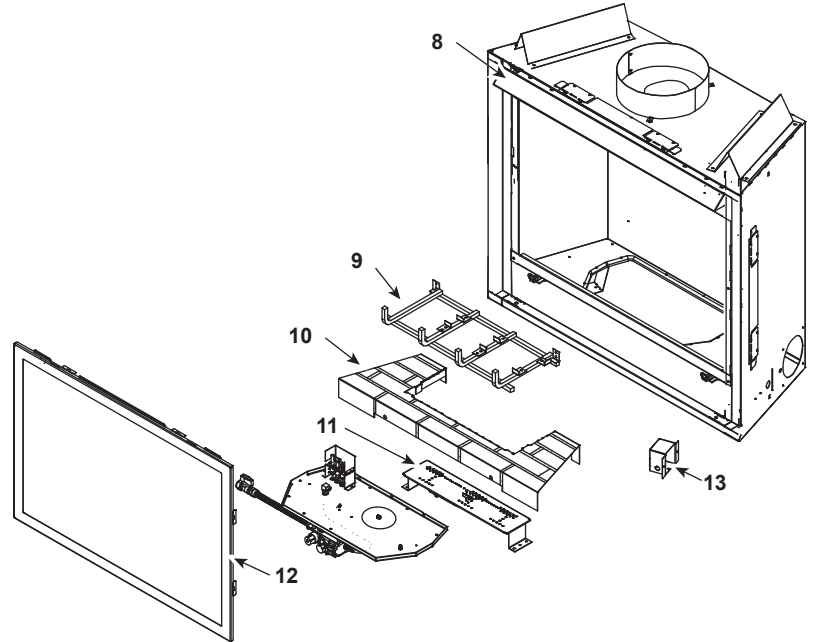
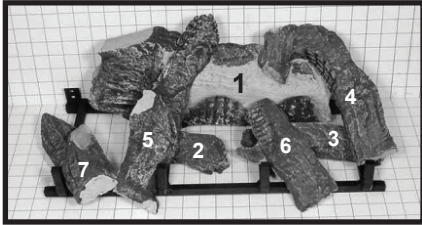


Log Set Assembly



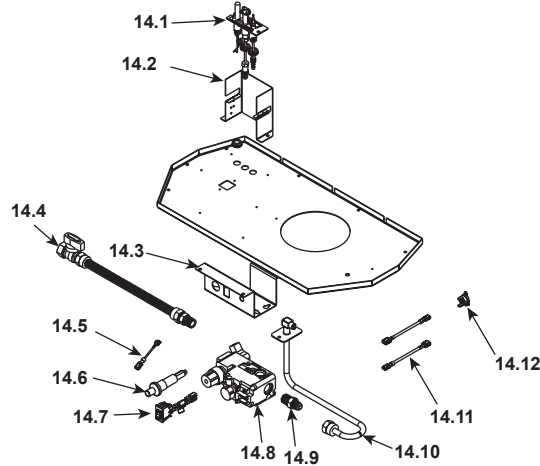
IMPORTANT: THIS IS DATED INFORMATION. Parts must be ordered from a dealer or distributor. **Hearth and Home Technologies does not sell directly to consumers.** Provide model number and serial number when requesting service parts from your dealer or distributor.



**Stocked
at Depot**

ITEM	DESCRIPTION	COMMENTS	PART NUMBER	
	Log Set Assembly	No longer available	LOGS-R35C	
1	Log	No longer available	SRV545-710	
2	Log	No longer available	SRV484-705	
3	Log	No longer available	SRV536-718	
4	Log	No longer available	SRV536-705	
5	Log	No longer available	SRV459-710	
6	Log	No longer available	SRV536-706	
7	Log	No longer available	SRV536-704	
8	Hood	No longer available	SRV550-175	
9	Refractory, Base NG, LP	No longer available	544-124	
10	Log Grate	No longer available	545-360A	
11	Burner NG, LP	No longer available	557-131A	
12	Glass Door Assembly		GLA-550TR	Y
13	Junction Box		100-250A	Y
	Glass Latch Support Assembly	Pkg of 2	386-122A/2	Y
	Louver Kit, Black	No longer available	BLK-35	
	Louver Kit, Deluxe	No longer available	DLX-35	
	Mesh Kit, Black Louver	No longer available	MESH-R35-BLK	
	Mesh Kit, Deluxe Louver	No longer available	MESH-R35-DLK	
	Mineral Wool		050-721	
	Wall Switch Kit, Off-White	No longer available	WSK-21	
	Wall Switch Kit, White		WSK-21-W	

#14 Valve Assembly



IMPORTANT: THIS IS DATED INFORMATION. Parts must be ordered from a dealer or distributor. **Hearth and Home Technologies does not sell directly to consumers.** Provide model number and serial number when requesting service parts from your dealer or distributor.



**Stocked
at Depot**

ITEM	DESCRIPTION	COMMENTS	PART NUMBER	
14.1	Pilot Assembly - NG		2103-010	Y
	Pilot Assembly - LP		2103-011	Y
	Thermocouple		446-511	Y
	Thermopile		2103-512	Y
	Pilot Tube		SRV485-301	Y
14.2	Pilot Bracket	No longer available	530-164	
14.3	Valve Bracket	No longer available	550-169	
14.4	Flex Ball Valve Assembly		SRV302-320	
14.5	Wire Assembly	No longer available	049-552A	
14.6	Piezo Ignitor		291-513	Y
14.7	On/Off Rocker Switch		060-521A	Y
14.8	Valve - NG		060-522	Y
	Valve - LP		060-523	Y
14.9	Male Connector	Pkg of 5	303-315/5	Y
14.10	Flex Tube Assembly		530-302A	Y
14.11	Wire Assembly	No longer available	505-501A	
14.12	High Temp Limit Switch		SRV4021-383	Y
	Burner Orifice - NG (#44C)		582-844	Y
	Burner Orifice - LP (#55C)		582-855	Y
	Burner Tube		477-301A	Y
	Conversion Kit - NG		N/A	
	Conversion Kit - LP	No longer available	LPK-3500TVC	
	Pilot Orifice - NG		SRV446-505	Y
	Pilot Orifice - LP		SRV446-517	Y
	Regulator - NG		SRV060-518	Y
	Regulator - LP		060-519	Y