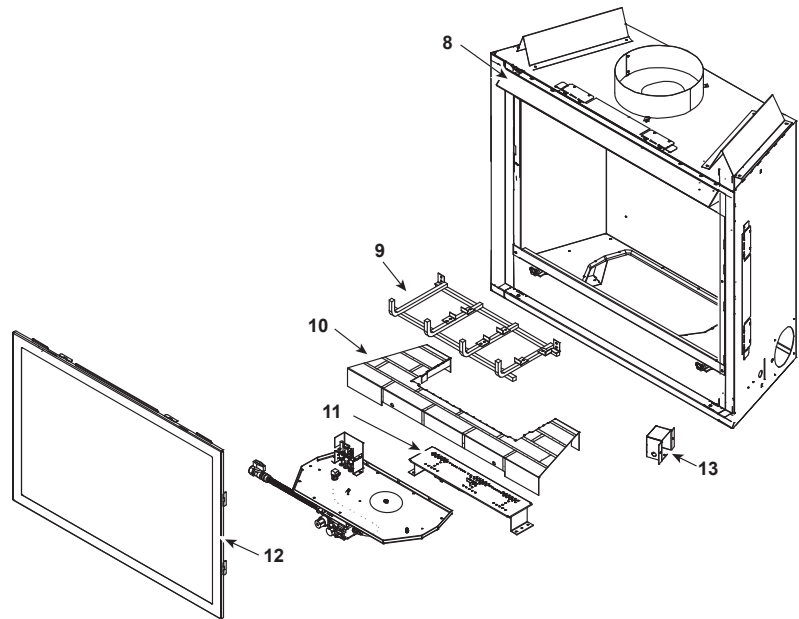
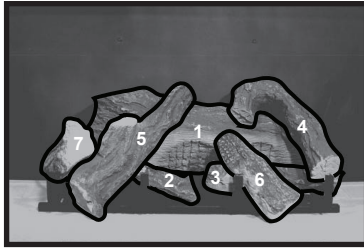


### Log Set Assembly



**IMPORTANT: THIS IS DATED INFORMATION.** Parts must be ordered from a dealer or distributor. **Hearth and Home Technologies does not sell directly to consumers.** Provide model number and serial number when requesting service parts from your dealer or distributor.



**Stocked  
at Depot**

| ITEM | DESCRIPTION                  | COMMENTS            | PART NUMBER  |   |
|------|------------------------------|---------------------|--------------|---|
|      | Log Set Assembly             | No longer available | LOGS-R35     |   |
| 1    | Log                          | No longer available | SRV536-711   |   |
| 2    | Log                          | No longer available | SRV536-705   |   |
| 3    | Log                          | No longer available | SRV536-706   |   |
| 4    | Log                          | No longer available | SRV536-704   |   |
| 5    | Log                          | No longer available | SRV536-718   |   |
| 6    | Log                          | No longer available | SRV459-710   |   |
| 7    | Log                          | No longer available | SRV484-705   |   |
| 8    | Hood                         | No longer available | SRV550-175   |   |
| 9    | Refractory, Base NG, LP      | No longer available | 544-124      |   |
| 10   | Log Grate                    | No longer available | 545-360A     |   |
| 11   | Burner NG, LP                | No longer available | 557-131A     |   |
| 12   | Glass Door Assembly          | No longer available | GLA-550TV    |   |
| 13   | Junction Box                 |                     | 100-250A     | Y |
|      | Glass Latch Support Assembly | Pkg of 2            | 386-122A/2   | Y |
|      | Louver Kit, Black            | No longer available | BLK-35       |   |
|      | Louver Kit, Deluxe           | No longer available | DLX-35       |   |
|      | Mesh Kit, Black Louver       | No longer available | MESH-R35-BLK |   |
|      | Mesh Kit, Deluxe Louver      | No longer available | MESH-R35-DLK |   |
|      | Mineral Wool                 |                     | 050-721      |   |
|      | Wall Switch Kit, Off-White   | No longer available | WSK-21       |   |
|      | Wall Switch Kit, White       |                     | WSK-21-W     |   |



Service Parts

R-3500TV, R-3500TV-NL

Beginning Manufacturing Date: June 1998  
Ending Manufacturing Date: May 2001

IMPORTANT: THIS IS DATED INFORMATION. Parts must be ordered from a dealer or distributor. **Hearth and Home Technologies does not sell directly to consumers.** Provide model number and serial number when requesting service parts from your dealer or distributor.



Stocked at Depot

| ITEM | DESCRIPTION                | COMMENTS            | PART NUMBER |   |
|------|----------------------------|---------------------|-------------|---|
|      | Burner Orifice - NG (#44A) | No longer available | 041-800     |   |
|      | Burner Orifice - LP (#54A) | No longer available | 061-801     |   |
|      | Burner Tube                |                     | 477-301A    | Y |
|      | Flex Ball Valve Assembly   |                     | SRV302-320  | Y |
|      | Flex Tube Assembly         |                     | 530-302A    | Y |
|      | High Temp Limit Switch     |                     | SRV4021-383 | Y |
|      | Male Connector             | Pkg of 5            | 303-315/5   | Y |
|      | On/Off Rocker Switch       |                     | 060-521A    | Y |
|      | Piezo Ignitor              |                     | 291-513     | Y |
|      | Pilot Assembly - NG        | R-3500TV            | 2103-010    | Y |
|      | Pilot Assembly - NG        | R-3500TV-NL         | 4021-736    | Y |
|      | Pilot Assembly - LP        | R-3500TV            | 2103-011    | Y |
|      | Pilot Assembly - LP        | R-3500TV-NL         | 4021-737    | Y |
|      | Thermocouple               |                     | 446-511     | Y |
|      | Thermopile                 |                     | 2103-512    | Y |
|      | Pilot Tube                 |                     | SRV485-301  | Y |
|      | Pilot Bracket              | No longer available | 530-164     |   |
|      | Valve Bracket              | No longer available | 550-169     |   |
|      | Valve - NG                 |                     | 060-520     | Y |
|      | Valve - LP                 |                     | 060-521     | Y |
|      | Wire Assembly              | No longer available | 049-552A    |   |
|      | Wire Assembly              | No longer available | 505-501A    |   |
|      |                            |                     |             |   |
|      |                            |                     |             |   |
|      |                            |                     |             |   |
|      |                            |                     |             |   |
|      |                            |                     |             |   |
|      |                            |                     |             |   |
|      |                            |                     |             |   |
|      | Conversion Kit - NG        | No longer available | NGK-3500TV  |   |
|      | Conversion Kit - LP        | No longer available | LPK-3500TV  |   |
|      | Pilot Orifice - NG         |                     | SRV446-505  | Y |
|      | Pilot Orifice - LP         |                     | SRV446-517  | Y |
|      | Regulator - NG             |                     | SRV060-504  | Y |
|      | Regulator - LP             |                     | SRV060-516  | Y |
|      |                            |                     |             |   |
|      |                            |                     |             |   |