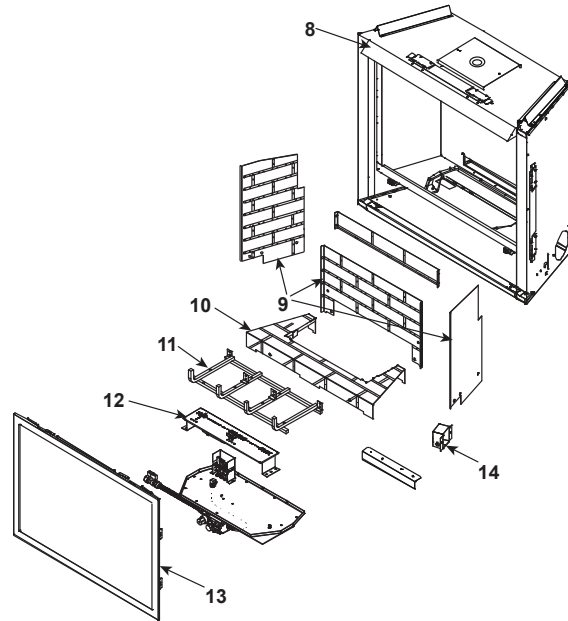
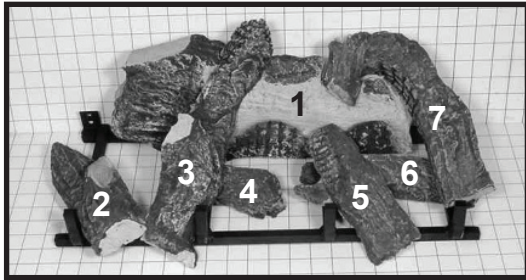


Log Set Assembly



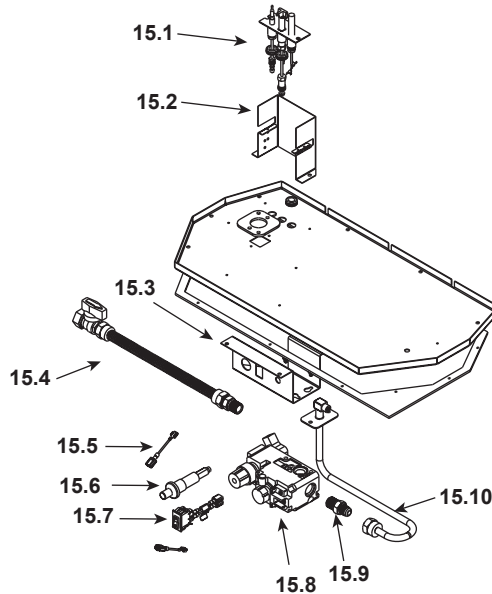
IMPORTANT: THIS IS DATED INFORMATION. Parts must be ordered from a dealer or distributor. **Hearth and Home Technologies does not sell directly to consumers.** Provide model number and serial number when requesting service parts from your dealer or distributor.



**Stocked
at Depot**

ITEM	DESCRIPTION	COMMENTS	PART NUMBER	
	Log Set Assembly	No longer available	LOGS-R35H	
1	Log	No longer available	SRV544-710	
2	Log	No longer available	SRV544-705	
3	Log	No longer available	SRV544-718	
4	Log	No longer available	SRV544-707	
5	Log	No longer available	SRV544-709	
6	Log	No longer available	SRV544-706	
7	Log	No longer available	SRV544-704	
8	Hood	No longer available	SRV550-175	
9	Refractory, Side Wall	No longer available	REFW-35	
10	Refractory, Base NG, LP	No longer available	544-124	
11	Log Grate	No longer available	544-360A	
12	Burner NG	No longer available	544-142A	
	Burner LP	No longer available	557-132A	
13	Glass Door Assembly		GLA-550TRS	Y
14	Junction Box		100-250A	Y
	Fan Kit		GFK-160A	Y
	when replacing fan kit, a 3-prong adaptor may be purchased from a hardware store			
	Louver Kit, Black	No longer available	BLK-35	
	Louver Kit, Deluxe	No longer available	DLX-35	
	Wall Switch Kit, Off White	No longer available	WSK-21	
	Wall Switch Kit, White		WSK-21-W	

#15 Valve Assembly



IMPORTANT: THIS IS DATED INFORMATION. Parts must be ordered from a dealer or distributor. **Hearth and Home Technologies does not sell directly to consumers.** Provide model number and serial number when requesting service parts from your dealer or distributor.



**Stocked
at Depot**

ITEM	DESCRIPTION	COMMENTS	PART NUMBER	
15.1	Pilot Assembly - NG		4021-736	Y
	Pilot Assembly - LP		4021-737	Y
	Thermocouple		446-511	Y
	Thermopile		2103-512	Y
	Pilot Tube		SRV485-301	Y
15.2	Pilot Bracket	No longer available	530-164	
15.3	Valve Bracket	No longer available	550-169	
15.4	Flex Ball Valve Assembly		SRV302-320	Y
15.5	Wire Assembly	No longer available	049-552A	
15.6	Piezo Ignitor		SRV14D0503	Y
15.7	On/Off Rocker Switch		060-521A	Y
15.8	Valve - NG		060-522	Y
	Valve - LP		060-523	Y
15.9	Male Connector	Package of 5	303-315/5	Y
15.10	Flex Tube Assembly		530-302A	Y
	Burner Orifice - NG (#38C)		582-838	Y
	Burner Orifice - LP (1.55mmC)		582-8155	Y
	Burner Tube		477-301A	Y
	Conversion Kit - NG	No longer available	NGK-R35HC	
	Conversion Kit - LP	No longer available	LPK-R35HC	
	Pilot Orifice - NG		SRV446-505	Y
	Pilot Orifice - LP		SRV446-517	Y
	Regulator - NG		SRV060-518	Y
	Regulator - LP		060-519	Y