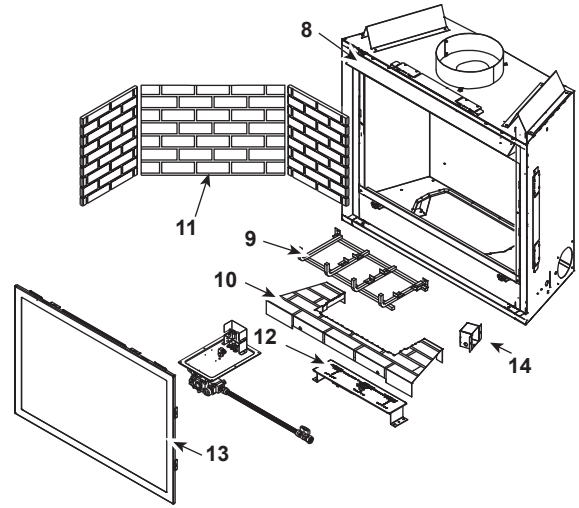
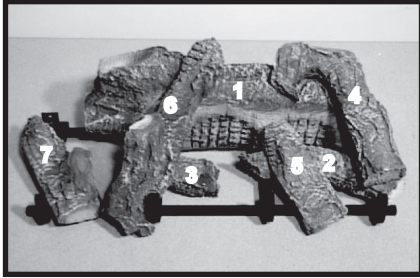


### Log Set Assembly



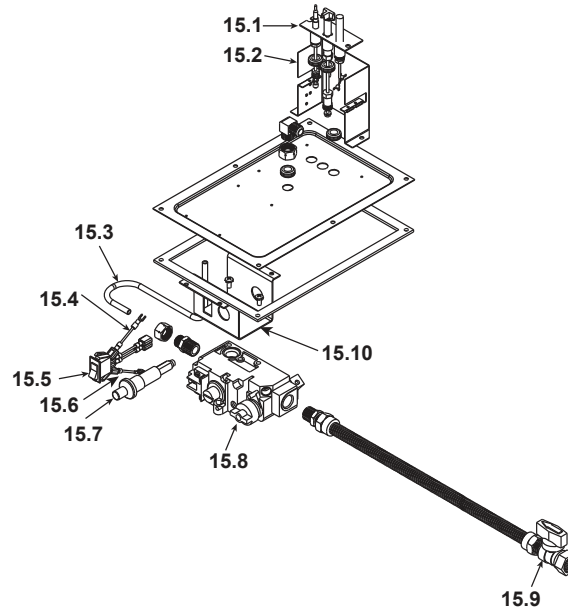
IMPORTANT: THIS IS DATED INFORMATION. Parts must be ordered from a dealer or distributor. **Hearth and Home Technologies does not sell directly to consumers.** Provide model number and serial number when requesting service parts from your dealer or distributor.



**Stocked  
at Depot**

ITEM	DESCRIPTION	COMMENTS	PART NUMBER	
	Log Set Assembly	No longer available	LOGS-R35H	
1	Log	No longer available	SRV544-710	
2	Log	No longer available	SRV544-706	
3	Log	No longer available	SRV544-707	
4	Log	No longer available	SRV544-704	
5	Log	No longer available	SRV544-709	
6	Log	No longer available	SRV544-718	
7	Log	No longer available	SRV544-705	
8	Hood	No longer available	SRV550-175	
9	Log Grate	No longer available	536-360A	
10	Refractory, Base NG, LP	No longer available	544-124	
11	Refractory, Side & Back Walls	No longer available	REFW-35	
12	Burner, NG	No longer available	544-142A	
	Burner, LP	No longer available	557-132A	
13	Glass Door Assembly		GLA-550TRS	Y
14	Junction Box		100-250A	Y
	Extended Vertical Baffle Kit		530-299	
	Fan Kit		GFK-160A	
when replacing fan kit, a 3-prong adaptor may be purchased from a hardware store				
	Louver Kit, Black	No longer available	BLK-35	
	Louver Kit, Deluxe	No longer available	DLX-35	
	Mesh Kit Black Louver Set	No longer available	MESH-R35-BLK	
	Mesh Kit Deluxe Louver Set	No longer available	MESH-R35-DLX	
	Wall Switch Kit, Off White	No longer available	WSK-21	
	Wall Switch Kit, White		WSK-21-W	

### #15 Valve Assembly



IMPORTANT: THIS IS DATED INFORMATION. Parts must be ordered from a dealer or distributor. **Hearth and Home Technologies does not sell directly to consumers.** Provide model number and serial number when requesting service parts from your dealer or distributor.



**Stocked  
at Depot**

ITEM	DESCRIPTION	COMMENTS	PART NUMBER	
15.1	Pilot Assembly - NG		4021-736	Y
	Pilot Assembly - LP		4021-737	Y
	Thermocouple		446-511	Y
	Thermopile		2103-512	Y
	Pilot Tube		SRV485-301	Y
15.2	Pilot Bracket	<b>No longer available</b>	530-164	
15.3	Flex Tube Assembly		477-301A	Y
15.4	Wire Assembly 1/4" Piggyback	<b>No longer available</b>	049-551A	
15.5	On/Off Rocker Switch		060-521A	Y
15.6	Wire Assembly 18"	<b>No longer available</b>	045-554A	
15.7	Piezo Ignitor		291-513	Y
15.8	Valve - NG		060-520	Y
	Valve - LP		060-521	Y
15.9	Flex Ball Valve Assembly		531-320A	Y
15.10	Valve Bracket	<b>No longer available</b>	520-152	
	Burner Orifice - NG (#38A)	<b>No longer available</b>	057-800	
	Burner Orifice - LP (#52A)	<b>No longer available</b>	057-801	
	Conversion Kit - NG	<b>No longer available</b>	NGK-R35H	
	Conversion Kit - LP	<b>No longer available</b>	LPK-R35H	
	Pilot Orifice - NG		SRV446-505	Y
	Pilot Orifice - LP		SRV446-517	Y
	Regulator - NG		SRV060-518	Y
	Regulator - LP		060-519	Y