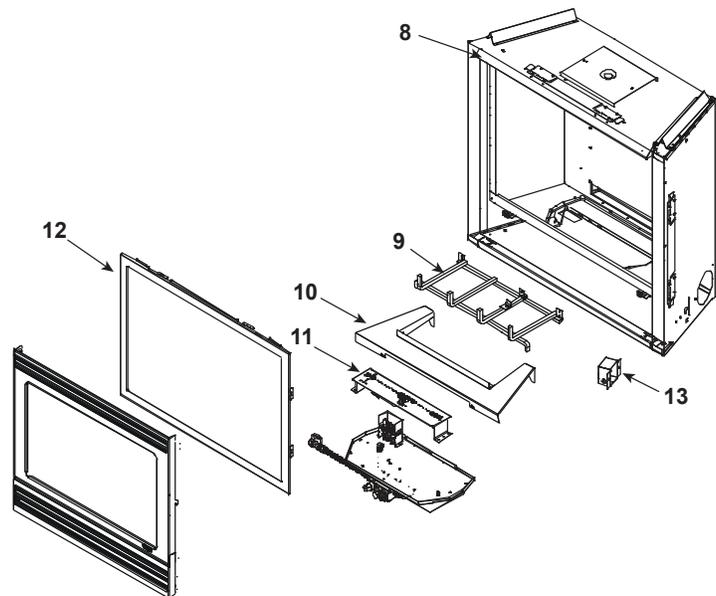
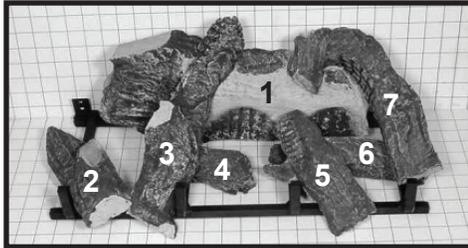


### Log Set Assembly



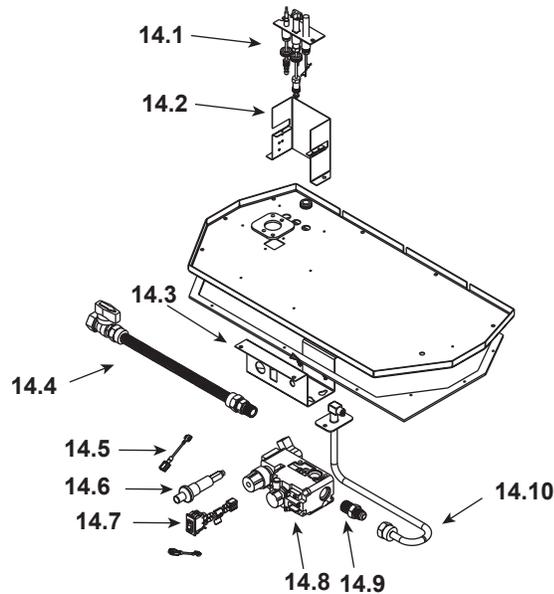
IMPORTANT: THIS IS DATED INFORMATION. Parts must be ordered from a dealer or distributor. **Hearth and Home Technologies does not sell directly to consumers.** Provide model number and serial number when requesting service parts from your dealer or distributor.



**Stocked  
at Depot**

ITEM	DESCRIPTION	COMMENTS	PART NUMBER	
	Log Set Assembly	No longer available	LOGS-R35C	
1	Log	No longer available	SRV545-710	
2	Log	No longer available	SRV484-705	
3	Log	No longer available	SRV536-718	
4	Log	No longer available	SRV536-705	
5	Log	No longer available	SRV459-710	
6	Log	No longer available	SRV536-706	
7	Log	No longer available	SRV536-704	
8	Hood	No longer available	SRV550-175	
9	Grate Assembly	No longer available	545-360A	
10	Refractory, Base	No longer available	544-124	
11	Burner - NG	No longer available	557-231A	
	Burner - LP	No longer available	536-233A	
12	Glass Door Assembly		GLA-550TR	Y
13	Junction Box		100-250A	Y
	Louver Kit, Black	No longer available	BLK-35	
	Louver Kit, Deluxe	No longer available	DLX-35	
	Fan Kit		GFK-160A	
	when replacing fan kit, a 3-prong adaptor may be purchased from a hardware store			
	Extended Vertical Baffle Kit		530-299	
	Wall Switch Kit, Off White	No longer available	WSK-21	
	Wall Switch Kit, White		WSK-21-W	

### #14 Valve Assembly



IMPORTANT: THIS IS DATED INFORMATION. Parts must be ordered from a dealer or distributor. **Hearth and Home Technologies does not sell directly to consumers.** Provide model number and serial number when requesting service parts from your dealer or distributor.



**Stocked  
at Depot**

ITEM	DESCRIPTION	COMMENTS	PART NUMBER	
14.1	Pilot Assembly NG		4021-736	Y
	Pilot Assembly LP		4021-737	Y
	Pilot Tube		SRV485-301	Y
14.2	Pilot Bracket	No longer available	530-164	
14.3	Valve Bracket	No longer available	550-169	
14.4	Flex Ball Valve Assembly		SRV302-320	Y
14.5	Wire Assembly	No longer available	049-552A	
14.6	Piezo Ignitor		SRV14D0503	Y
14.7	On/Off Rocker Switch		060-521A	Y
14.8	Valve NG		060-522	Y
	Valve LP		060-523	Y
14.9	Male Connector	Package of 5	303-315/5	Y
14.10	Flex Tube Assembly		530-302A	Y
	Burner Orifice - NG (#44C)		582-844	Y
	Burner Orifice - LP (#54C)		SRV582-854	Y
	Burner Tube		567-301A	Y
	Conversion Kit NG	No longer available	NGK-3500TRC	
	Conversion Kit LP	No longer available	LPK-3500C	
	Pilot Orifice - NG		SRV446-505	Y
	Pilot Orifice - LP		SRV446-517	Y
	Regulator - NG		SRV060-518	Y
	Regulator - LP		060-519	Y