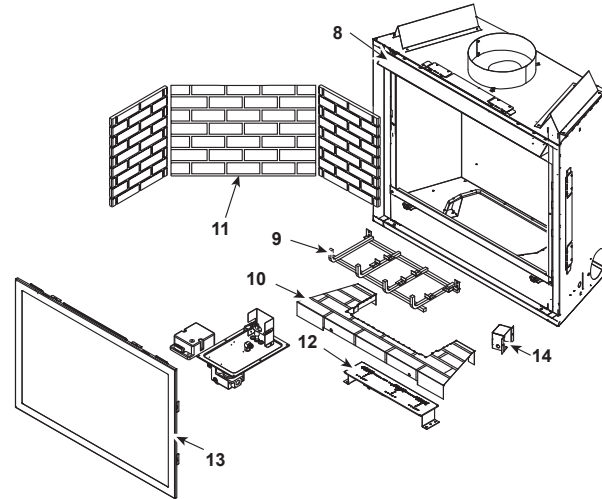
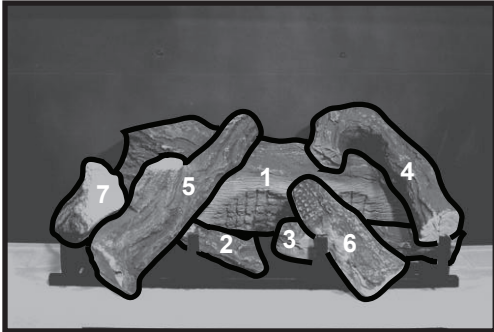


Log Set Assembly



IMPORTANT: THIS IS DATED INFORMATION. Parts must be ordered from a dealer or distributor. **Hearth and Home Technologies does not sell directly to consumers.** Provide model number and serial number when requesting service parts from your dealer or distributor.

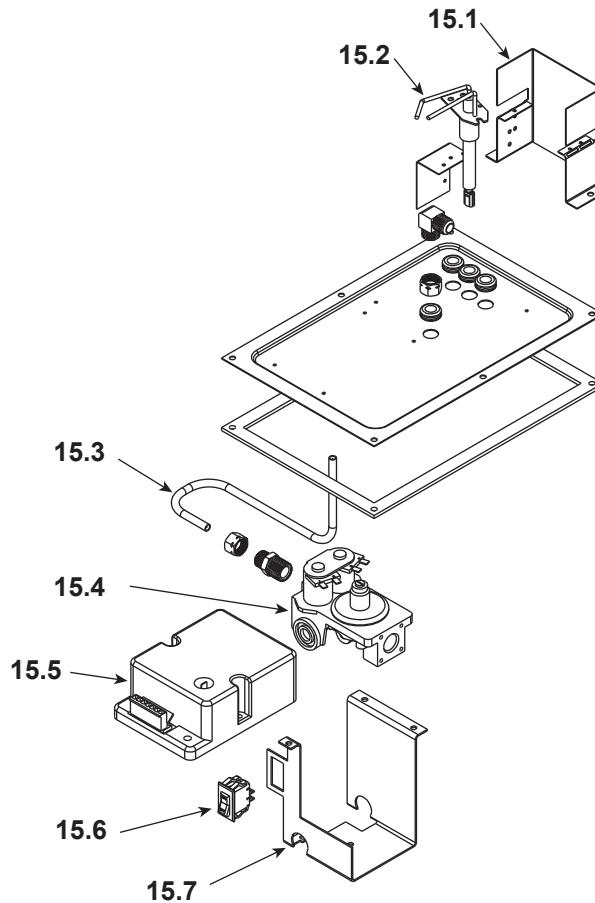


**Stocked
at Depot**

ITEM	DESCRIPTION	COMMENTS	PART NUMBER	
	Log Set Assembly	No longer available	LOGS-R35	
1	Log	No longer available	SRV536-711	
2	Log	No longer available	SRV536-705	
3	Log	No longer available	SRV536-706	
4	Log	No longer available	SRV536-704	
5	Log	No longer available	SRV536-718	
6	Log	No longer available	SRV459-710	
7	Log	No longer available	SRV484-705	
8	Hood	No longer available	SRV550-175	
9	Log Grate	No longer available	536-360A	
10	Refractory, Base NG, LP	No longer available	544-124	
11	Refractory, Side & Back Walls	No longer available	REFW-35	
12	Burner, NG	No longer available	557-231A	
	Burner, LP	No longer available	536-233A	
13	Glass Door Assembly	No longer available	GLA-550	
14	Junction Box		100-250A	Y
	Extended Vertical Baffle Kit		530-299	
	Fan Kit		GFK-160A	
when replacing fan kit, a 3-prong adaptor may be purchased from a hardware store				
	Louver Kit, Black	No longer available	BLK-35	
	Louver Kit, Deluxe	No longer available	DLX-35	
	Mesh Kit Black Louver Set	No longer available	MESH-R35-BLK	
	Mesh Kit Deluxe Louver Set	No longer available	MESH-R35-DLX	
	Wall Switch Kit, Off White	No longer available	WSK-21	
	Wall Switch Kit, White		WSK-21-W	

Additional service part numbers appear on following page.

#15 Valve Assembly



IMPORTANT: THIS IS DATED INFORMATION. Parts must be ordered from a dealer or distributor. **Hearth and Home Technologies does not sell directly to consumers.** Provide model number and serial number when requesting service parts from your dealer or distributor.



**Stocked
at Depot**

ITEM	DESCRIPTION	COMMENTS	PART NUMBER	
15.1	Pilot Bracket	No longer available	530-164	
15.2	Ignitor		501-591	Y
15.3	Flex Tube Assembly		477-301A	Y
15.4	DSI Valve - NG		492-500	Y
15.5	DSI Module	No longer available	501-592	
15.6	On/Off, Switch		SRV32D0232	Y
15.7	Valve Bracket	No longer available	550-252	
	Flex Ball Valve Assembly		531-320A	Y
	Conversion Kit - NG	No longer available	NGK-3500TR	
	Conversion Kit - LP	No longer available	LPK-3500	
	Pilot Orifice - NG		446-505	Y
	Pilot Orifice - LP		446-517	Y
	Regulator - NG		SRV060-504	Y
	Regulator - LP		SRV060-516	Y