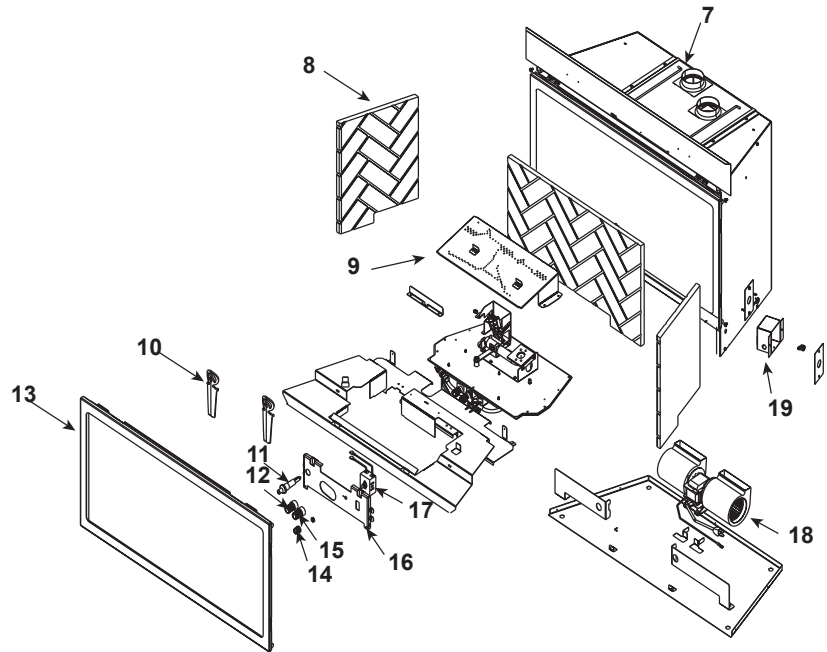
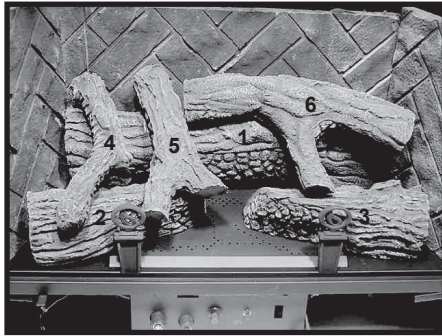


Log Set Assembly



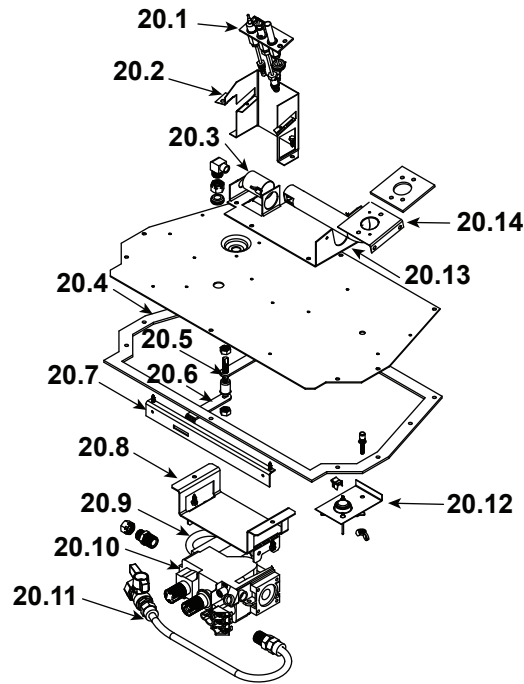
IMPORTANT: THIS IS DATED INFORMATION. Parts must be ordered from a dealer or distributor. **Hearth and Home Technologies does not sell directly to consumers.** Provide model number and serial number when requesting service parts from your dealer or distributor.



Stocked at Depot

ITEM	DESCRIPTION	COMMENTS	PART NUMBER	
	Log Set Assembly		LOGS-QVI35	Y
1	Log 1	No longer available, Must order complete assembly	SRV330-701	
2	Log 2		SRV330-702	
3	Log 3		SRV330-703	
4	Log 4		SRV340-705	
5	Log 5		SRV330-704	
6	Log 6		SRV330-706	
7	Fireplace Termination Assembly	No longer available	319-213A	
	Flex Pipe Handle		438-351	
8	Refractory Kit	No longer available	BRICK-QVI35	
9	Burner		339-176A	Y
10	Andirons	Pre Nov 2008	SRV434-0450	
		No longer available	2014-300	
11	Piezo Ignitor		291-513	Y
12	Flame Control Knob		571-533	Y
13	Glass Door Assembly	No longer available	GLA-339	
14	Rheostat Knob		SRV100-512	Y
15	Pilot Control Knob		SRV37D0010	
16	Control Panel	No longer available	319-129	
17	On/Off Rheostat		SRV100-510A	Y
18	Blower		GFK-160A	
19	Junction Box	No longer available	040-250A	

#20 Valve Assembly



IMPORTANT: THIS IS DATED INFORMATION. Parts must be ordered from a dealer or distributor. **Hearth and Home Technologies does not sell directly to consumers.** Provide model number and serial number when requesting service parts from your dealer or distributor.



**Stocked
at Depot**

ITEM	DESCRIPTION	COMMENTS	PART NUMBER	
20.1	Pilot Assembly NG		2103-010	Y
	Pilot Assembly LP		2103-011	Y
	Pilot Tube		SRV485-301	Y
	Thermocouple		2103-511	Y
	Thermopile		2103-512	Y
20.2	Pilot Bracket	No longer available	319-164	
20.3	Shutter Bracket Assembly		2026-130	Y
20.4	Valve Plate Gasket	No longer available	SRV319-401	
20.5	Top Handle	No longer available	319-170	
20.6	Bottom Handle	No longer available	319-168	
20.7	Bracket	No longer available	319-120	
20.8	Valve Bracket	No longer available	319-146	
20.9	Flexible Gas Connector		477-301A	Y
20.10	Valve NG		SRV230-0710	Y
	Valve LP		SRV230-0720	Y
20.11	Flex Ball Valve Assembly		531-320A	Y
20.12	Temp Sensor Switch		SRV046-018A	Y
20.13	Bracket: Burner Support	No longer available	319-166	
20.14	Burner Neck	No longer available	319-336	
	Orifice NG (#32C)		582-832	Y
	Orifice LP (#51C)		582-851	Y

Additional service part numbers appear on following page.

