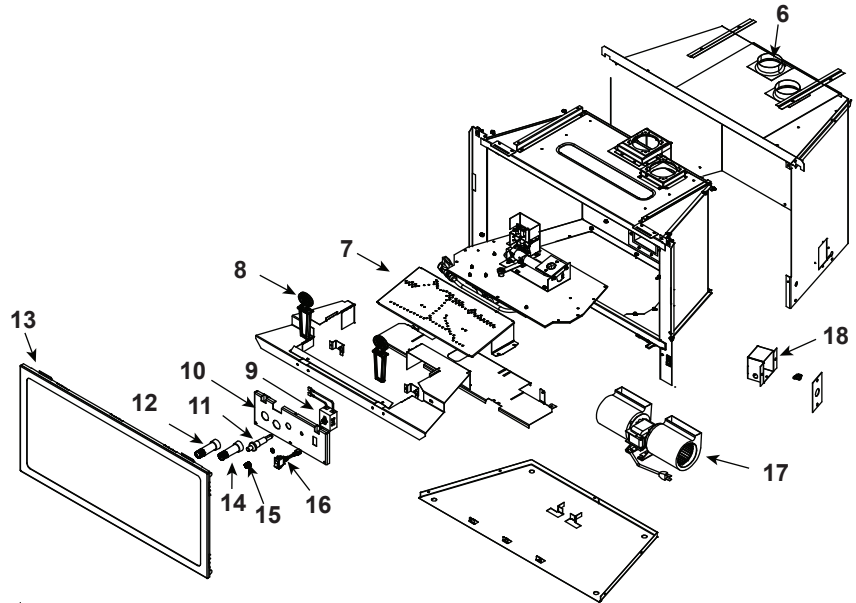


## Log Set Assembly



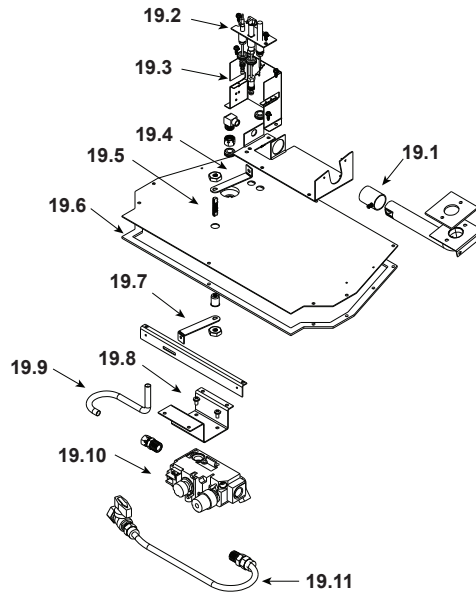
IMPORTANT: THIS IS DATED INFORMATION. Parts must be ordered from a dealer or distributor. **Hearth and Home Technologies does not sell directly to consumers.** Provide model number and serial number when requesting service parts from your dealer or distributor.



**Stocked  
at Depot**

ITEM	DESCRIPTION	COMMENTS	PART NUMBER	
	Log Set Assembly		LOGS-QVI25	Y
1	Log 1	<b>No longer available, Must order complete assembly</b>	SRV310-701	
2	Log 2		SRV310-702	
3	Log 3		SRV310-703	
4	Log 4		SRV340-704	
5	Log 5		SRV310-705	
6	Fireplace Termination Assembly	<b>No longer available</b>	319-213A	
7	Burner NG, LP		319-176A	Y
8	Andirons		SRV434-0450	
9	On/Off Rheostat		SRV100-510A	Y
10	Control Panel	<b>No longer available</b>	319-119	
11	Piezo Ignitor		291-513	Y
12	Flame Control Knob	<b>No longer available</b>	571-531	
13	Glass Door Assembly	<b>No longer available</b>	GLA-319	
14	Pilot Control Knob	<b>No longer available</b>	571-530	
15	Rheostat Knob		SRV100-512	Y
16	On/Off , Switch		SRV32D0232	Y
17	Blower		GFK-160A	
18	Junction Box	<b>No longer available</b>	040-250A	
	Flex Pipe Handle		438-351	
	Lava Rock		4021-295	
	Mineral Wool		050-721	
	Touch Up Paint		TUP-GBK-12	

## #19 Valve Assembly



**IMPORTANT: THIS IS DATED INFORMATION.** Parts must be ordered from a dealer or distributor. **Hearth and Home Technologies does not sell directly to consumers.** Provide model number and serial number when requesting service parts from your dealer or distributor.



**Stocked  
at Depot**

ITEM	DESCRIPTION	COMMENTS	PART NUMBER	
19.1	Shutter Bracket Assembly		319-316A	Y
19.2	Pilot Assembly NG		2103-010	Y
	Pilot Assembly LP		2103-011	Y
	Pilot Tube		SRV446-301	Y
	Thermocouple		446-511	Y
	Thermopile		2103-512	Y
19.3	Pilot Bracket	No longer available	319-164	
19.4	Top Handle	No longer available	319-167	
19.5	D-Shaft	No longer available	319-836	
19.6	Valve Plate Gasket	No longer available	SRV319-401	
19.7	Bottom Handle	No longer available	319-168	
19.8	Valve Bracket	No longer available	319-145	
19.9	Flexible Gas Connector		477-301A	Y
19.10	Valve NG		060-522	Y
	Valve LP		060-523	Y
19.11	Flex Ball Valve Assembly		531-320A	Y
	Temp Sensor Switch		SRV046-018A	Y
	Wire Assembly		SRV2020-069	Y
	Orifice NG (#42C)		582-842	Y
	Orifice LP (#.057C)		582-057	Y
	Conversion Kit NG	No longer available	NGK-QVI25	
	Conversion Kit LP	No longer available	LPK-QVI25	
	Pilot Orifice NG		SRV446-505	Y
	Pilot Orifice LP		SRV446-517	Y