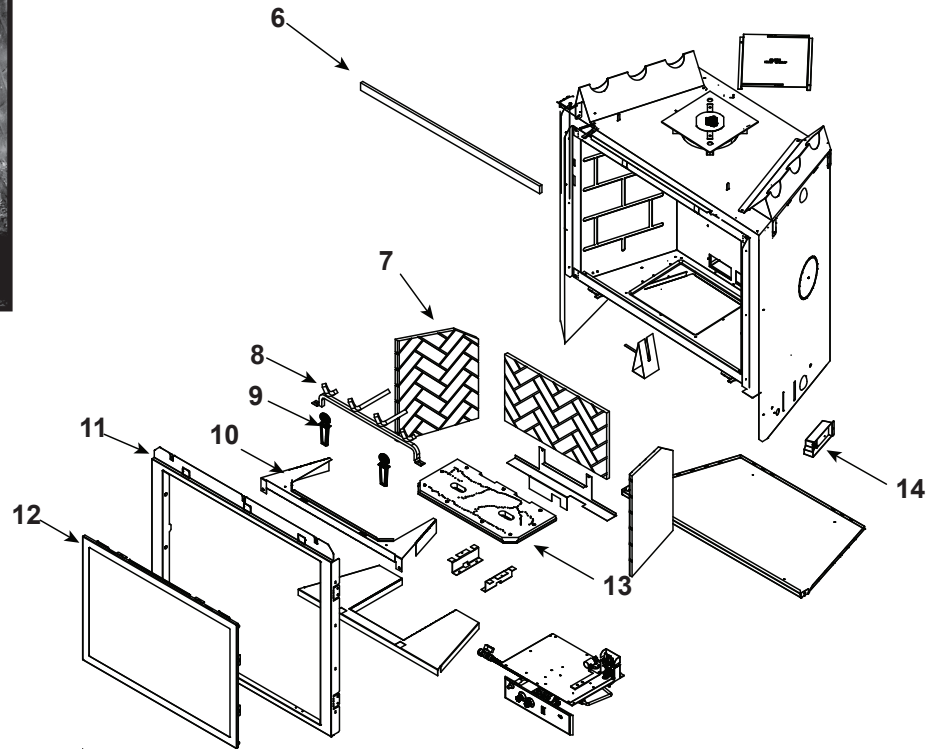


### Log Set Assembly



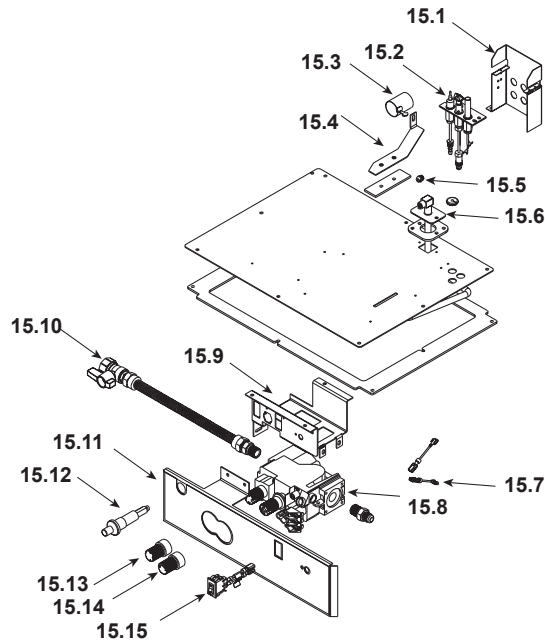
IMPORTANT: THIS IS DATED INFORMATION. Parts must be ordered from a dealer or distributor. **Hearth and Home Technologies does not sell directly to consumers.** Provide model number and serial number when requesting service parts from your dealer or distributor.



**Stocked  
at Depot**

ITEM	DESCRIPTION	COMMENTS	PART NUMBER	
	Log Set Assembly		LOGS-2018	Y
1	Log 1	<b>No longer available, Must order complete assembly</b>	SRV2018-701	
2	Log 2		SRV385-736	
3	Log 3		SRV278-704	
4	Log 4		SRV2018-704	
5	Log 5		SRV780-707	
6	Non Combustible board		385-401	
7	Refractory Kit (Sold as set only)	<b>No longer available</b>	BRICK-292	
8	Log Grate		SRV2018-001	
9	Andirons	Pre Nov 2008	SRV434-0450	
		<b>No longer available</b>	2014-300	
10	Base Refractory NG, LP	<b>No longer available</b>	2018-100	
11	Surround	<b>No longer available</b>	SRV2101-260	
12	Glass Door Assembly		GLA-6TRXI	Y
13	Burner		2018-005	Y
14	Junction Box		SRV4021-013	Y

## #15 Valve Assembly



IMPORTANT: THIS IS DATED INFORMATION. Parts must be ordered from a dealer or distributor. **Hearth and Home Technologies does not sell directly to consumers.** Provide model number and serial number when requesting service parts from your dealer or distributor.



**Stocked  
at Depot**

ITEM	DESCRIPTION	COMMENTS	PART NUMBER	
15.1	Pilot Bracket	No longer available	2018-107	
15.2	Pilot Assembly NG		2103-010	Y
	Pilot Assembly LP		2103-011	Y
	Pilot Tube		SRV485-301	Y
	Thermocouple		2103-511	Y
	Thermopile		2103-512	Y
15.3	Shutter Sleeve		2026-130	Y
15.4	Shutter Bracket Assembly	No longer available	2026-017	
15.5	Orifice NG (3.1 MM)	No longer available	582-8310	
	Orifice LP ( 1.8 MM)		582-818	Y
15.6	Flexible Gas Connector		383-302A	Y
15.7	Wire Assembly		049-552A	Y
15.8	Valve NG		SRV230-0710	Y
	Valve LP		SRV230-0720	Y
15.9	Valve Bracket		2118-104	
15.10	Flex Ball Valve Assembly		SRV302-320	Y
15.11	Control Panel	No longer available	291-125	
15.12	Piezo Ignitor		SRV14D0503	Y
15.13	Pilot Control Knob		SRV37D0010	
15.14	Flame Control Knob		571-533	Y
15.15	ON/OFF Rocker Switch		060-521A	Y

Additional service part numbers appear on following page.

Beginning Manufacturing Date: Apr 2008

Ending Manufacturing Date: Aug 2009

IMPORTANT: THIS IS DATED INFORMATION. Parts must be ordered from a dealer or distributor. **Hearth and Home Technologies does not sell directly to consumers.** Provide model number and serial number when requesting service parts from your dealer or distributor.



**Stocked  
at Depot**

ITEM	DESCRIPTION	COMMENTS	PART NUMBER	
	Gasket Assembly Includes: Vent, Seal Cap, Burner Neck, Shutter Bracket, and Valve Plate Gaskets		SRV385-402A	
	Glass Clips	Pkg of 25	060-235-25	Y
	Glass Latch Assembly	Plh of 2	386-122A/2	Y
	Lava Rock Bag		4021-297	
	Mineral Wool		050-721	
	Touch Up Paint		TUP-GBK-12	
	Conversion Kit NG	<b>No longer available</b>	NGKS-QV36DC	
	Conversion Kit LP	<b>No longer available</b>	LPKS-QV36DC	
	Regulator NG		SRV230-1570	Y
	Regulator LP		SRV230-1520	Y
	Pilot Orifice NG		SRV2103-116	Y
	Pilot Orifice LP		2103-117	Y