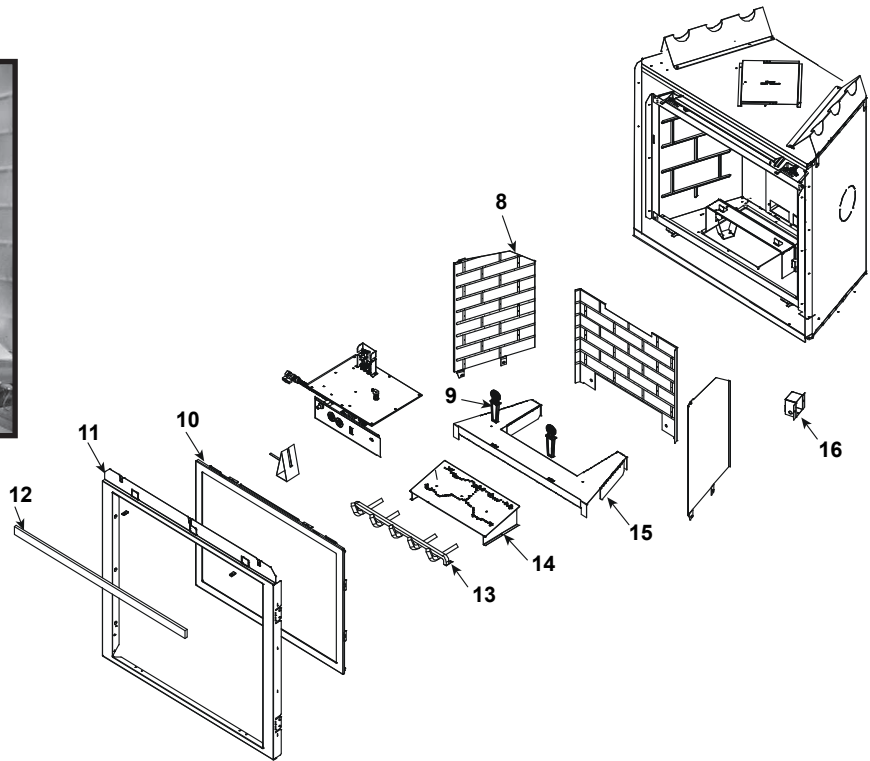


Log Set Assembly



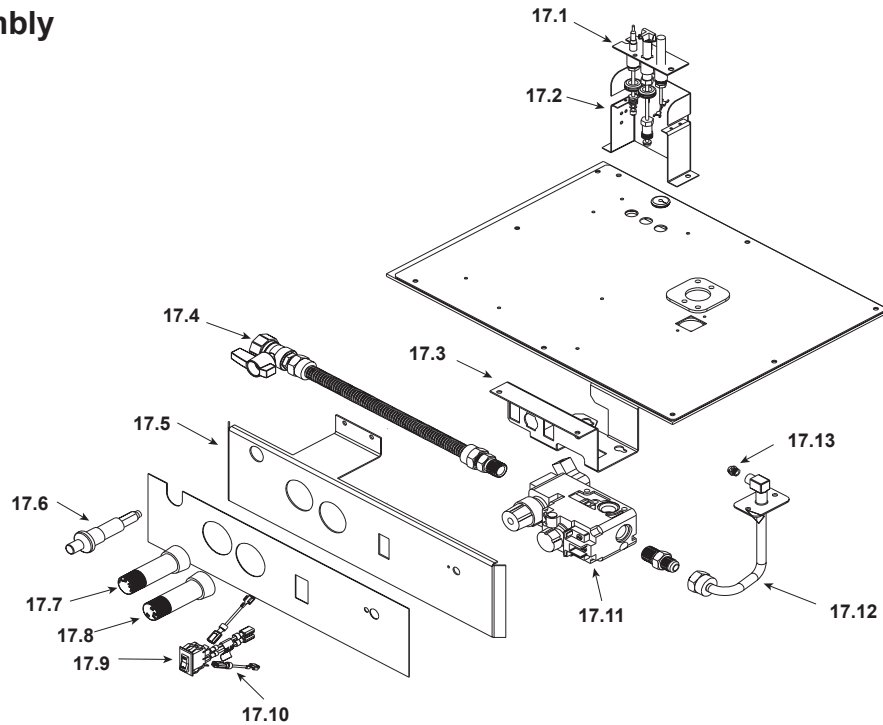
IMPORTANT: THIS IS DATED INFORMATION. Parts must be ordered from a dealer or distributor. **Hearth and Home Technologies does not sell directly to consumers.** Provide model number and serial number when requesting service parts from your dealer or distributor.



Stocked at Depot

ITEM	DESCRIPTION	COMMENTS	PART NUMBER	
	Log Set Assembly	No longer available	LOGS-295	
1	Log 1	No longer available	SRV364-701	
2	Log 2	No longer available	SRV364-706	
3	Log 3	No longer available	SRV364-707	
4	Log 4	No longer available	SRV364-702	
5	Log 5	No longer available	SRV364-704	
6	Log 6	No longer available	SRV364-705	
7	Log 7	No longer available	SRV278-707	
8	Refractory Kit (Sold as set only)	No longer available	BRICK-295	
9	Andirons, Cast		SRV434-0450	
10	Glass Door Assembly		GLA-6TROC	Y
11	Surround	No longer available	385-130	
12	Insulation Board		385-401	
13	Log Grate	No longer available	292-360A	
14	Burner NG	No longer available	362-176A	
	Burner LP	No longer available	362-175A	
15	Base Refractory NG, LP	No longer available	292-124	
16	Junction Box		100-250A	Y

#17 Valve Assembly



IMPORTANT: THIS IS DATED INFORMATION. Parts must be ordered from a dealer or distributor. **Hearth and Home Technologies does not sell directly to consumers.** Provide model number and serial number when requesting service parts from your dealer or distributor.



**Stocked
at Depot**

ITEM	DESCRIPTION	COMMENTS	PART NUMBER	
17.1	Pilot Assembly NG		4021-736	Y
	Pilot Assembly LP		4021-737	Y
	Pilot Tube		SRV485-301	Y
	Thermocouple		446-511	Y
	Thermopile		2103-512	Y
17.2	Pilot Bracket	No longer available	385-164	
17.3	Valve Bracket	No longer available	2025-101	
17.4	Flex Ball Valve Assembly		SRV302-320	Y
17.5	Control Panel	No longer available	295-119	
17.6	Piezo Ignitor		291-513	Y
17.7	Flame Control Knob	No longer available	571-531	
17.8	Pilot Control Knob	No longer available	571-530	
17.9	ON/OFF Rocker Switch		060-521A	Y
17.10	Jumper Wire		049-552A	Y
17.11	Valve NG		060-522	Y
	Valve LP		060-523	Y
17.12	Flexible Gas Connector		383-302A	Y
17.13	Burner Orifice NG (#36C)		582-836	Y
	Burner Orifice LP (#51C)		SRV582-851	Y

Additional service part numbers may appear on following page.

IMPORTANT: THIS IS DATED INFORMATION. Parts must be ordered from a dealer or distributor. **Hearth and Home Technologies does not sell directly to consumers.** Provide model number and serial number when requesting service parts from your dealer or distributor.



Stocked
at Depot

ITEM	DESCRIPTION	COMMENTS	PART NUMBER	
	Flue Restrictor		385-128	
	Gasket Assembly Includes Vent, Seal Cap, Burner Neck, Shutter Bracket and Valve Plate Gaskets		SRV385-402A	
	Glass Latch Assembly	Pkg of 2	386-122A/2	Y
	Lava Rock Bag		4021-297	
	Log Support	No longer available	364-121	
	Mineral Wool		050-721	
	Touch Up Paint		TUP-GBK-12	
	Conversion Kit NG	No longer available	NGK-295	
	Conversion Kit LP	No longer available	LPK-295	
	Regulator NG		SRV060-518	Y
	Regulator LP		060-519	Y
	Pilot Orifice NG		SRV446-505	Y
	Pilot Orifice LP		SRV446-517	Y