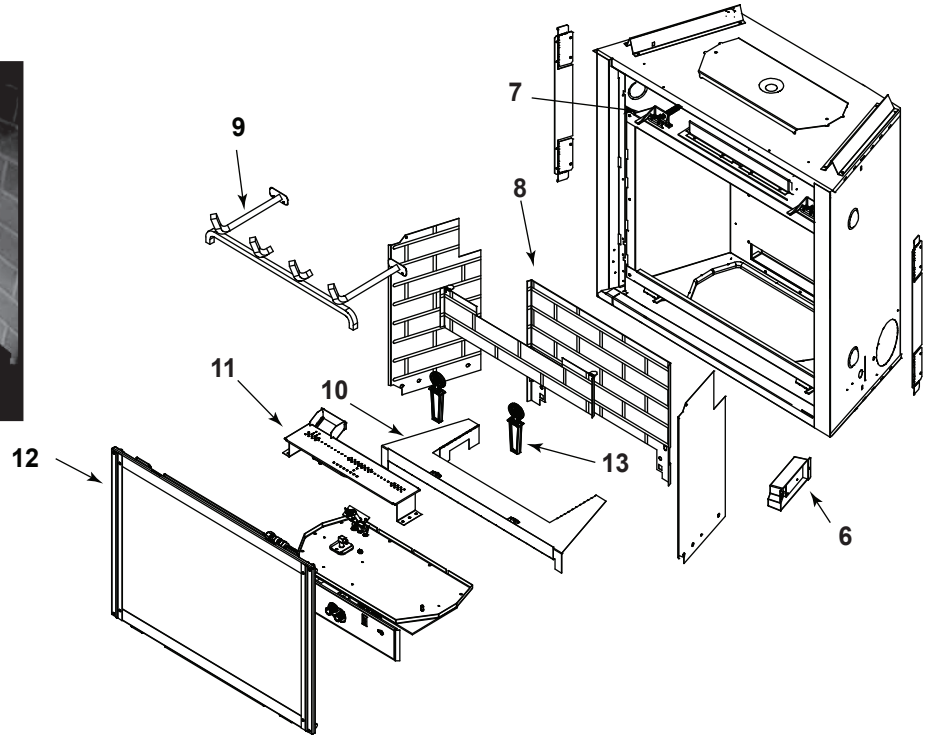


### Log Set Assembly



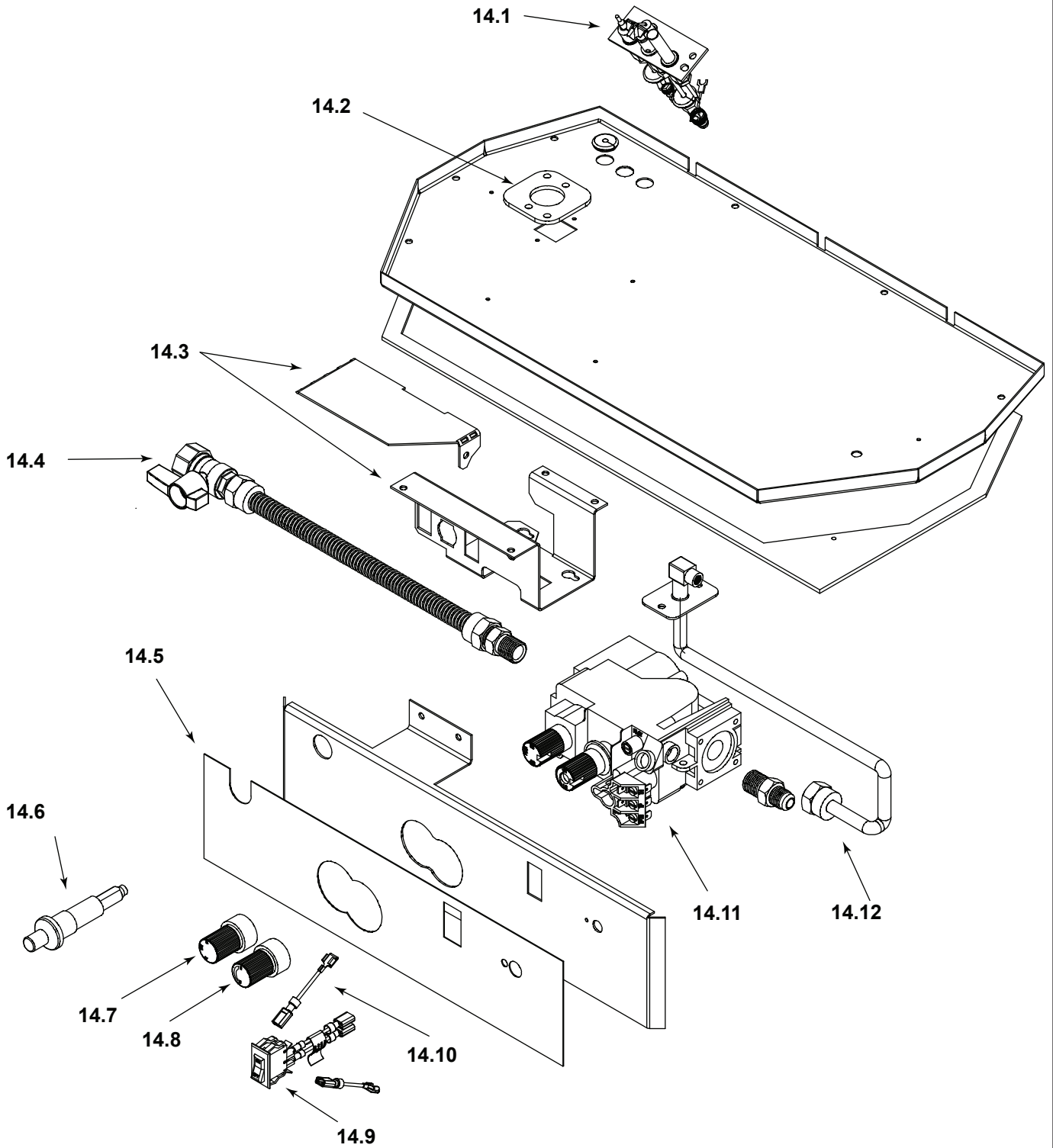
IMPORTANT: THIS IS DATED INFORMATION. Parts must be ordered from a dealer or distributor. **Hearth and Home Technologies does not sell directly to consumers.** Provide model number and serial number when requesting service parts from your dealer or distributor.



**Stocked at Depot**

ITEM	DESCRIPTION	COMMENTS	PART NUMBER	
	Log Set Assembly		LOGS-2015	Y
1	Log 1	<b>No longer available, Must order complete assembly</b>	SRV2016-701	
2	Log 2		SRV2014-703	
3	Log 3		SRV2014-703	
4	Log 4		SRV780-707	
5	Log 5		SRV700-706	
6	Junction Box		100-250A	Y
7	Glass Latch Assembly	Pkg of 2	386-122A/2	Y
8	Refractory Kit (Sold as set only)	<b>No longer available</b>	BRICK-294	
9	Log Grate	<b>No longer available</b>	2014-001	
10	Base Refractory NG, LP	<b>No longer available</b>	2015-100	
11	Burner	Pre 0021080519	2015-002	Y
		Post 0021080519	2015-016	Y
12	Glass Door Assembly		GLA-750TR	Y
13	Andirons, Cast		SRV434-0450	
	Exhaust Restrictor		530-299	
	Lave Rock Bag		4021-297	
	Mineral Wool		050-721	
	Touch Up Paint		TUP-GBK-12	

**#14 Valve Assembly**



Part number list on following page.

IMPORTANT: THIS IS DATED INFORMATION. Parts must be ordered from a dealer or distributor. **Hearth and Home Technologies does not sell directly to consumers.** Provide model number and serial number when requesting service parts from your dealer or distributor.



**Stocked  
at Depot**

ITEM	DESCRIPTION	COMMENTS	PART NUMBER	
14.1	Pilot Assembly NG	No longer available	530-510A	
		Post 0021080519	2103-010	Y
14.1	Pilot Assembly LP	No longer available	530-511A	
		Post 0021080519	2103-011	Y
14.2	Burner Neck Gasket		438-407	
	Pilot Tube	Pre 0021080519	SRV485-301	Y
		Post 0021080519	N/A	
14.3	Valve Bracket / SIT Bracket ADP	No longer available	2025-101	
		No longer available	2025-101/SRV2044-155-BK	
14.4	Flex Ball Valve Assembly		SRV302-320	Y
14.5	Control Panel	No longer available	291-119	
		No longer available	291-125	
14.6	Piezo Ignitor		291-513	Y
14.7	Pilot Control Knob	Pre 0021080519	291-530	Y
		Post 0021080519	SRV37D0010	
14.8	Flame Control Knob	Pre 0021080519	291-531	Y
		Post 0021080519	571-533	Y
14.9	ON/OFF Rocker Switch		060-521A	Y
14.10	Jumper Wire		049-552A	Y
14.11	Valve NG	Pre 0021080519	060-522	Y
		Post 0021080519	SRV230-0710	Y
	Valve LP	Pre 0021080519	060-523	Y
		Post 0021080519	SRV230-0720	Y
14.12	Flexible Gas Connector		530-302A	Y
	Burner Orifice NG (#43C)		SRV582-843	Y
	Burner Orifice LP (#53C)		582-853	Y
	Pilot Bracket	No longer available	530-164	
		Post 0021080519	N/A	
	Conversion Kit NG	No longer available	NGK-2015	
		No longer available	NGKS-2015	
	Conversion Kit LP	No longer available	LPK-2015	
		No longer available	LPKS-2015	
	Regulator NG	Pre 0021080519	SRV060-518	Y
		Post 0021080519	SRV230-1570	Y
	Regulator LP	Pre 0021080519	060-519	Y
		Post 0021080519	SRV230-1520	Y
	Pilot Orifice NG	Pre 0021080519	SRV446-505	Y
		Post 0021080519	SRV2103-116	Y
	Pilot Orifice LP	Pre 0021080519	446-517	Y
		Post 0021080519	SRV2103-117	Y