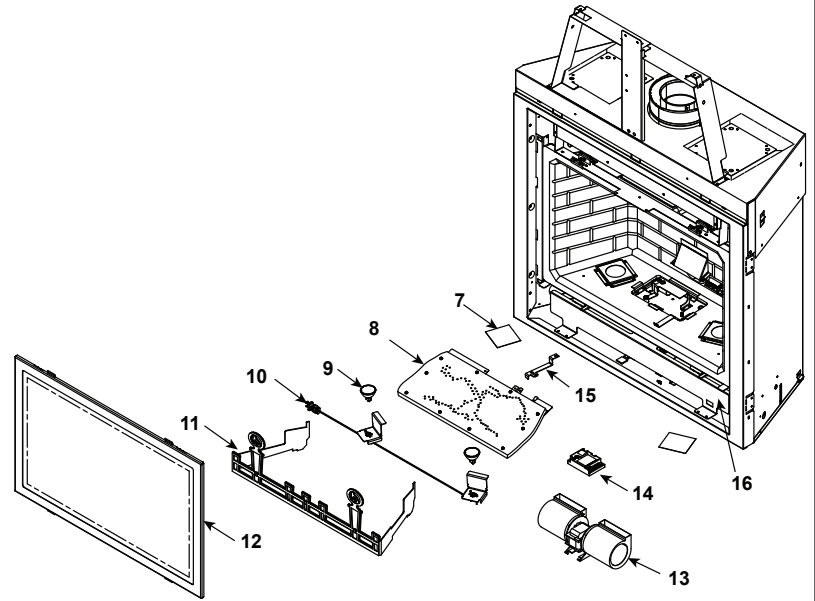
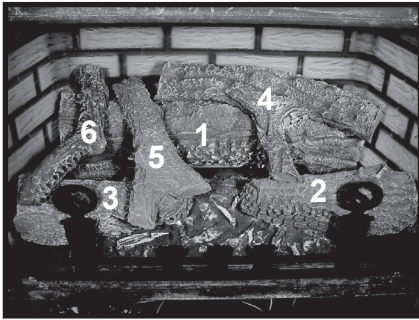


Log Set Assembly



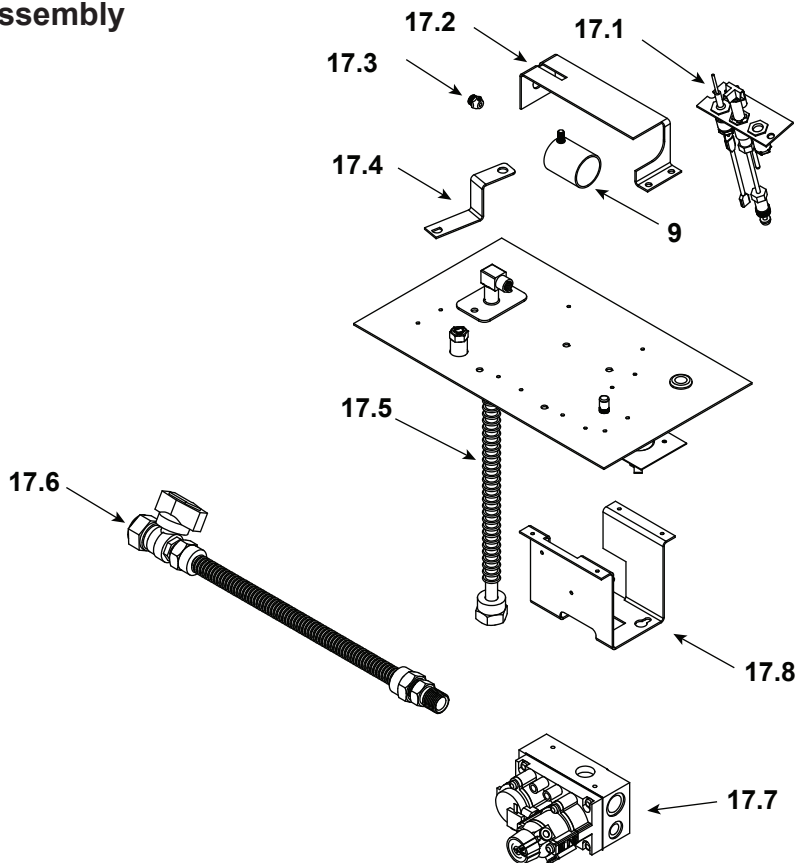
IMPORTANT: THIS IS DATED INFORMATION. Parts must be ordered from a dealer or distributor. **Hearth and Home Technologies does not sell directly to consumers.** Provide model number and serial number when requesting service parts from your dealer or distributor.



Stocked at Depot

ITEM	DESCRIPTION	COMMENTS	PART NUMBER	
	Log Set Assembly		LOGS-2062	Y
1	Log 1	No longer available, Must order complete assembly	SRV2062-701	
2	Log 2		SRV2062-702	
3	Log 3		SRV2062-703	
4	Log 4		SRV330-706	
5	Log 5		SRV330-704	
6	Log 6		SRV340-705	
7	Kapton Lens	No longer available	2062-149	
		No longer available	2101-252	
8	Burner NG If ordering SRV must also order Log SRV2062-701	Pre Feb 2006	SRV2062-004-NG	Y
		Post Feb 2006	2062-004	Y
	Burner LP If ordering SRV must also order Log SRV2062-701	Pre Feb 2006	SRV2062-004-LP	Y
		Post Feb 2006	2062-004	Y
9	Light Bulb, Qty 2 req	Pre Sept 2007	700-540	Y
	Ember Bulb 20W, Qty 2 req	Post Sept 2007	2088-136	Y
10	Light Assembly	No longer available	2062-073	
		No longer available	4061-035	
11	Grate Assembly	No longer available	2062-080	
12	Glass Door Assembly	No longer available	GLA-2062	
13	Blower		GFK-160A	
14	Control Module		SRV593-592	Y
15	Shutter Arm Bottom	No longer available	2062-133	
16	Access Plate	No longer available	2062-156	

#17 Valve Assembly



IMPORTANT: THIS IS DATED INFORMATION. Parts must be ordered from a dealer or distributor. **Hearth and Home Technologies does not sell directly to consumers.** Provide model number and serial number when requesting service parts from your dealer or distributor.



**Stocked
at Depot**

ITEM	DESCRIPTION	COMMENTS	PART NUMBER	
17.1	Pilot Assembly NG	Pre Feb 2006	4021-422	Y
		Post Feb 2006	SRV2090-012	Y
	Pilot Assembly LP	Pre Feb 2006	4021-423	Y
		Post Feb 2006	2090-013	Y
17.2	Burner Support	No longer available	2062-130	
17.3	Orifice NG (#32C)		SRV582-832	Y
	Orifice LP (#50C)		582-850	Y
17.4	Shutter Arm	No longer available	2062-132	
17.5	Flexible Gas Connector		383-302A	Y
17.6	Flex Ball Valve Assembly		SRV302-320	Y
17.7	Valve NG		750-500	Y
	Valve LP		750-501	Y
17.8	Valve Bracket	No longer available	2062-152	
17.9	Shutter Bracket Assembly		319-316A	Y
	Wire Harness 20"		107-559A	Y
	Temp Sensor		107-531	Y

Additional service part numbers appear on following page.

IMPORTANT: THIS IS DATED INFORMATION. Parts must be ordered from a dealer or distributor. **Hearth and Home Technologies does not sell directly to consumers.** Provide model number and serial number when requesting service parts from your dealer or distributor.



**Stocked
at Depot**

ITEM	DESCRIPTION	COMMENTS	PART NUMBER	
	Battery Pack		SRV593-594	Y
	Decorative Front	No longer available	DF-36AFB-HH-BK	
	Fiberglass Rope		060-455	
	Glass Latch Assembly	Pkg of 2	386-122A/2	Y
	Junction Box		SRV4021-013	Y
	Multi Function Wall Switch Kit		WSK-MLT	
	Solenoid		HTI-17-006	Y
	Wall Switch/ Key pad		HTI-12-007	Y
	Control Wire		HTI-23-007	Y
	Cover Plate	No longer available	HTI-21-007	
	Control box		HTI-13-007	Y
	Actuator Pins		HTI-17-116	Y
	Switch Kit		HTI-25-007	Y
	Non-combustible Board	No longer available	2062-085	
	On/Off Rocker Switch		060-521A	Y
	Patch Kit		PATCHKIT-FB	
	Paint Touch-up Kit	No longer available	TAN-KIT	
	Surround	No longer available	2026-108	
	Vermiculite Embers		MYSTIC-EMBERS	
	Wire Assembly		SRV593-590	Y
	Conversion Kit NG	No longer available	NGK-2062	
	Conversion Kit LP	No longer available	LPK-2062	
	Pilot Orifice NG	Pre Feb 2006	SRV446-505	Y
		Post Feb 2006	SRV593-528	Y
	Pilot Orifice LP	Pre Feb 2006	SRV446-517	Y
		Post Feb 2006	SRV593-527	Y
	Regulator NG		SRVNGK-DXV	Y
	Regulator LP		SRVLPK-DXV	Y