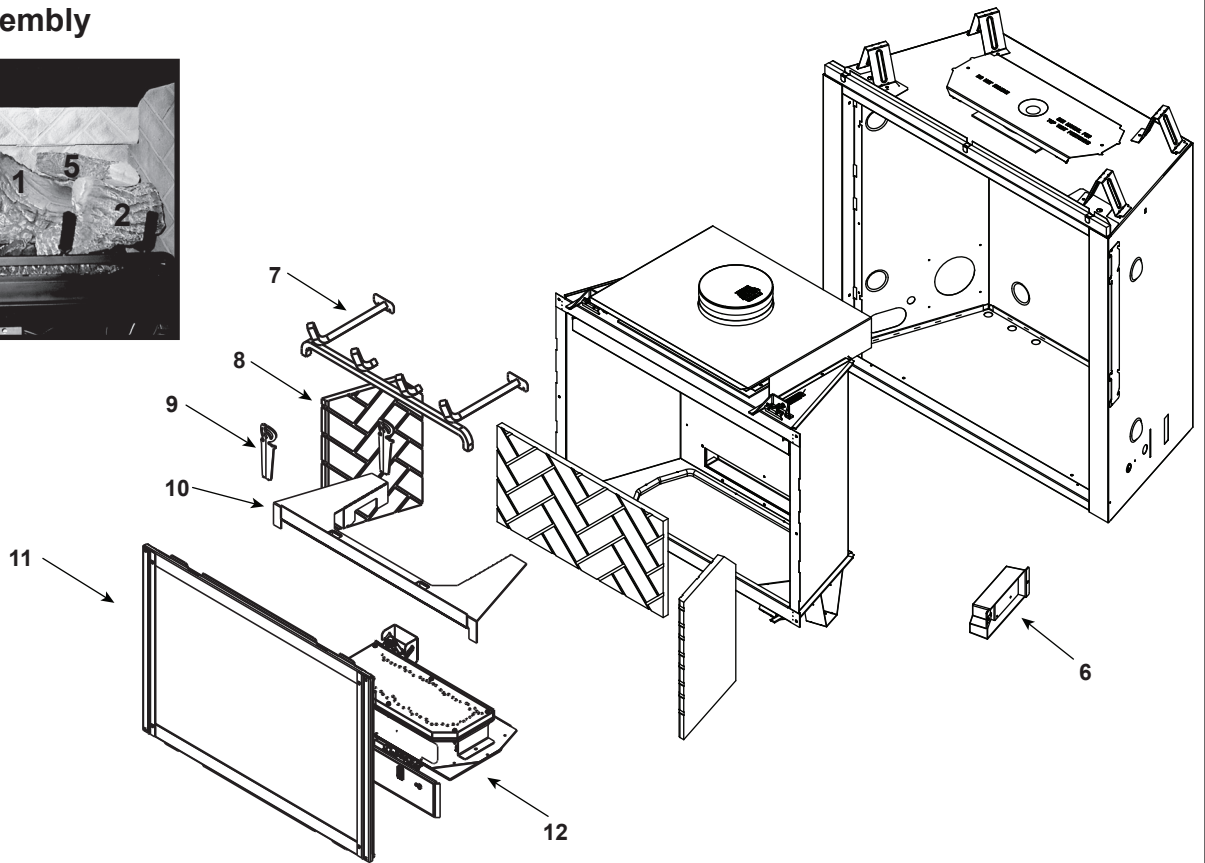


### Log Set Assembly



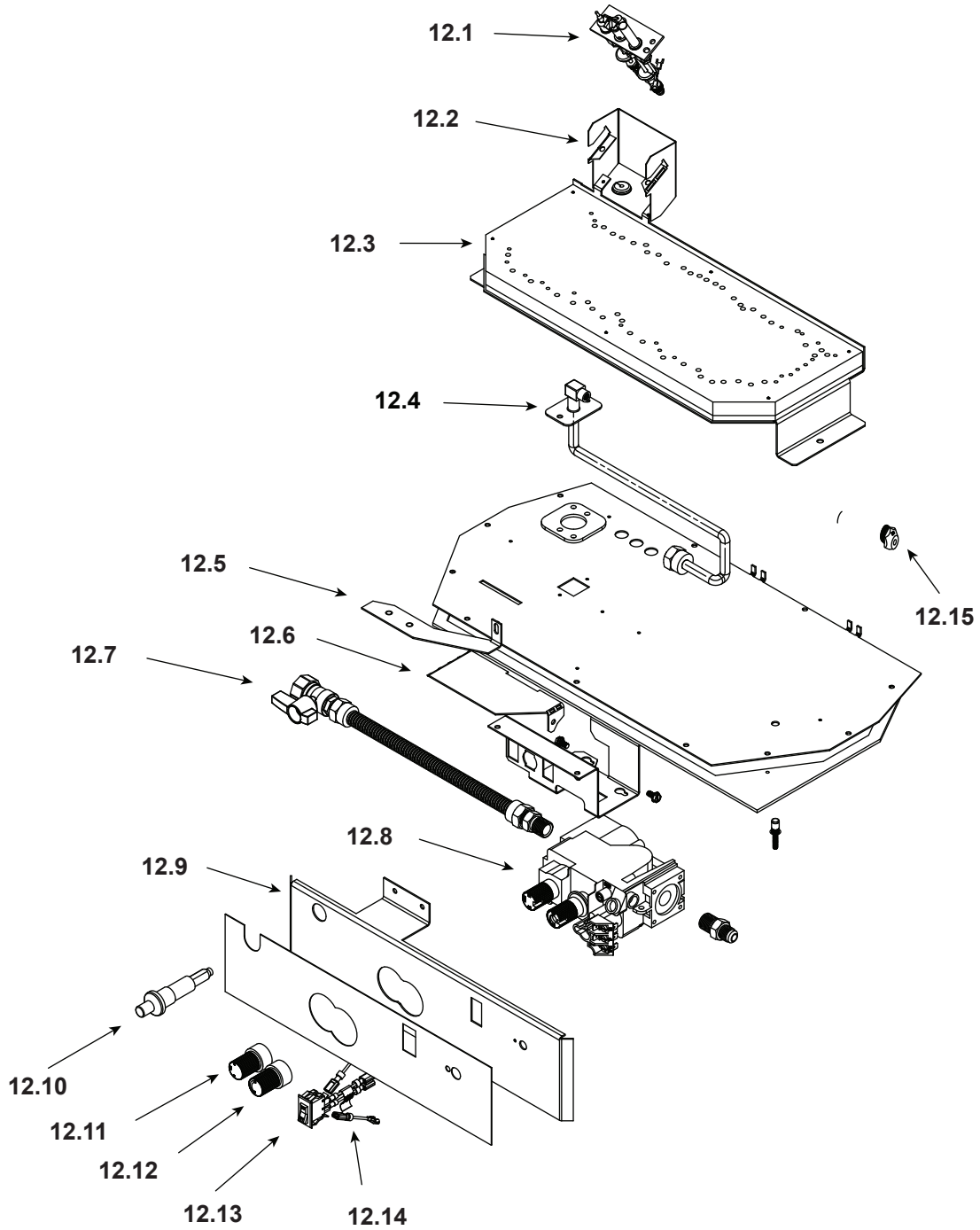
IMPORTANT: THIS IS DATED INFORMATION. Parts must be ordered from a dealer or distributor. **Hearth and Home Technologies does not sell directly to consumers.** Provide model number and serial number when requesting service parts from your dealer or distributor.



**Stocked at Depot**

ITEM	DESCRIPTION	COMMENTS	PART NUMBER	
	Log Set Assembly		LOGS-2014	Y
1	Log 1	<b>No longer available, Must order complete assembly</b>	SRV2014-701	
2	Log 2		SRV2014-703	
3	Log 3		SRV2014-702	
4	Log 4		SRV780-707	
5	Log 5		SRV2014-704	
6	Junction Box	Pre Dec 2008	100-250A	Y
		Post Dec 2008	SRV4021-013	Y
7	Log Grate	<b>No longer available</b>	2014-001	
8	Refractory Kit (Sold as set only)	<b>No longer available</b>	BRICK-293	
		<b>No longer available</b>	BRICK-293-2	
9	Andirons	Pre Nov 2008	SRV434-0450	
		<b>No longer available</b>	2014-300	
10	Base Refractory NG, LP	<b>No longer available</b>	2014-100	
11	Glass Door Assembly		GLA-550TRS	Y
12	Burner	See Valve Assembly Page		

**#12 Burner/Valve Assembly**



Part number list on following page.

Beginning Manufacturing Date: June 2003  
Ending manufacturing Date: Sept 2012

IMPORTANT: THIS IS DATED INFORMATION. Parts must be ordered from a dealer or distributor. **Hearth and Home Technologies does not sell directly to consumers.** Provide model number and serial number when requesting service parts from your dealer or distributor.



**Stocked  
at Depot**

ITEM	DESCRIPTION	COMMENTS	PART NUMBER	
12.1	Pilot Assembly NG	No longer available	530-510A	
		Post 0021080519	2103-010	Y
	Pilot Assembly LP	No longer available	530-511A	
		Post 0021080519	2103-011	Y
	Pilot Tube	Pre 0021080519	SRV485-301	Y
		Post 0021080519	N/A	
	Thermocouple	Pre 0021080519	446-511	Y
		Post 0021080519	2103-511	Y
	Thermopile		2103-512	Y
12.2	Pilot Bracket	No longer available	2065-117	
		No longer available	2065-136	
12.3	Burner	No longer available	2014-004	
		No longer available	2014-014	
12.4	Flexible Gas Connector		530-302A	Y
12.5	Shutter Bucket Assembly	No longer available	2026-017	
12.6	Valve Bracket / SIT Bracket Adaptor	No longer available	2025-101	
		No longer available	2025-101/SRV2044-155-BK	
		Post Feb 2008	2118-104A	
12.7	Flex Ball Valve Assembly		SRV302-320	Y
12.8	Valve NG	Pre 0021080519	060-522	Y
		Post 0021080519	SRV230-0710	Y
	Valve LP	Pre 0021080519	060-523	Y
		Post 0021080519	SRV230-0720	Y
12.9	Control Panel	No longer available	291-119	
		No longer available	291-125	
12.10	Piezo Ignitor		291-513	Y
12.11	Pilot Control Knob	Pre 0021080519	291-530	Y
		Post 0021080519	571-533	Y
12.12	Flame Control Knob	Pre 0021080519	291-531	Y
		Post 0021080519	SRV37D0010	
12.13	ON/OFF Rocker Switch		060-521A	Y
12.14	Jumper Wire		049-552A	Y
12.15	Burner Orifice NG (#38C)		582-838	Y
	Burner Orifice LP (1.55mmC)		582-8155	Y

Additional service part numbers appear on following page.

