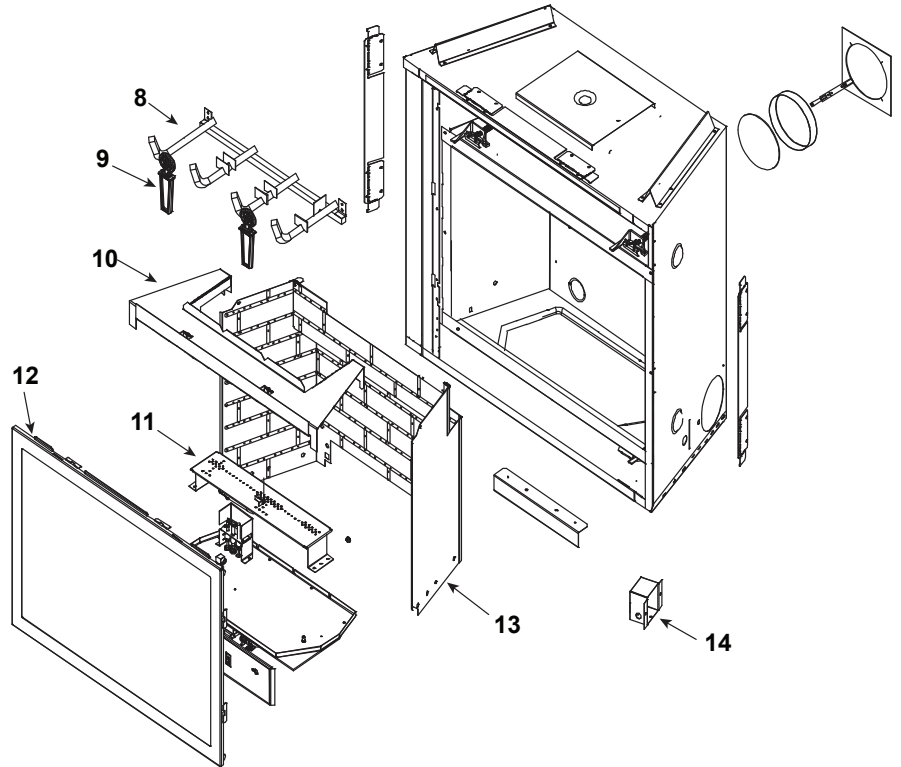
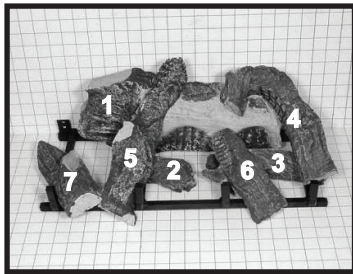


Log Set Assembly



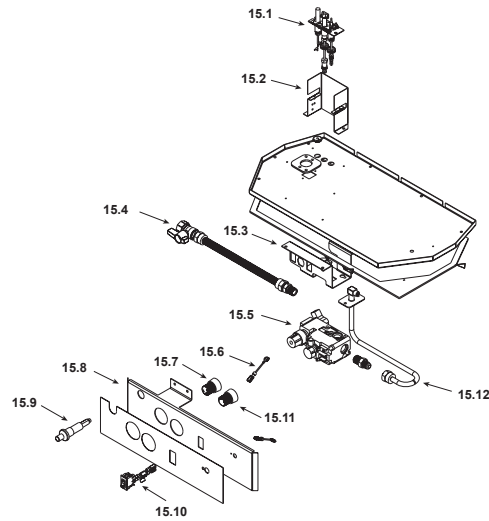
IMPORTANT: THIS IS DATED INFORMATION. Parts must be ordered from a dealer or distributor. **Hearth and Home Technologies does not sell directly to consumers.** Provide model number and serial number when requesting service parts from your dealer or distributor.



Stocked at Depot

ITEM	DESCRIPTION	COMMENTS	PART NUMBER	
	Log Set Assembly	No longer available	LOGS-296	
1	Log 1	No longer available	SRV545-710	
2	Log 2	No longer available	SRV536-705	
3	Log 3	No longer available	SRV536-706	
4	Log 4	No longer available	SRV536-704	
5	Log 5	No longer available	SRV536-718	
6	Log 6	No longer available	SRV446-715	
7	Log 7	No longer available	SRV484-705	
8	Grate Assembly	No longer available	293-360A	
9	Andirons, Cast		SRV434-0450	
10	Base Refractory NG, LP	No longer available	296-124	
11	Burner	No longer available	557-231A	
		No longer available	536-233A	
12	Glass Door Assembly		GLA-550TR	Y
13	Refractory	No longer available	BRICK-296	
14	Junction Box		100-250A	Y
	Exhaust Restrictor		530-299	
	Lava Rock Bag		4021-297	
	Touch Up Paint		TUP-GBK-12	

#15 Valve Assembly



IMPORTANT: THIS IS DATED INFORMATION. Parts must be ordered from a dealer or distributor. **Hearth and Home Technologies does not sell directly to consumers.** Provide model number and serial number when requesting service parts from your dealer or distributor.



**Stocked
at Depot**

ITEM	DESCRIPTION	COMMENTS	PART NUMBER	
15.1	Pilot Assembly NG		4021-736	Y
	Pilot Assembly LP		4021-737	Y
	Pilot Tube		SRV485-301	Y
	Thermocouple		446-511	
	Thermopile		2103-512	
15.2	Pilot Bracket	No longer available	530-164	
15.3	Valve Bracket	No longer available	2025-101	
15.4	Flex Ball Valve Assembly		SRV302-320	Y
15.5	Valve NG		060-522	Y
	Valve LP		060-523	Y
15.6	Jumper Wire		049-552A	Y
15.7	Pilot Control Knob		291-530	Y
15.8	Control Panel	No longer available	291-119	
15.9	Piezo Ignitor		291-513	Y
15.10	ON/OFF Rocker Switch		060-521A	Y
15.11	Flame Control Knob		291-531	Y
15.12	Flexible Gas Connector		567-301A	Y
	Burner Orifice NG (#44C)		582-844	Y
	Burner Orifice LP (#54C)		SRV582-854	Y
	Conversion Kit NG	No longer available	NGK-296	
	Conversion Kit LP	No longer available	LPK-296	
	Regulator NG		SRV060-518	Y
	Regulator LP		060-519	Y
	Pilot Orifice NG		SRV446-505	Y
	Pilot Orifice LP		SRV446-517	Y