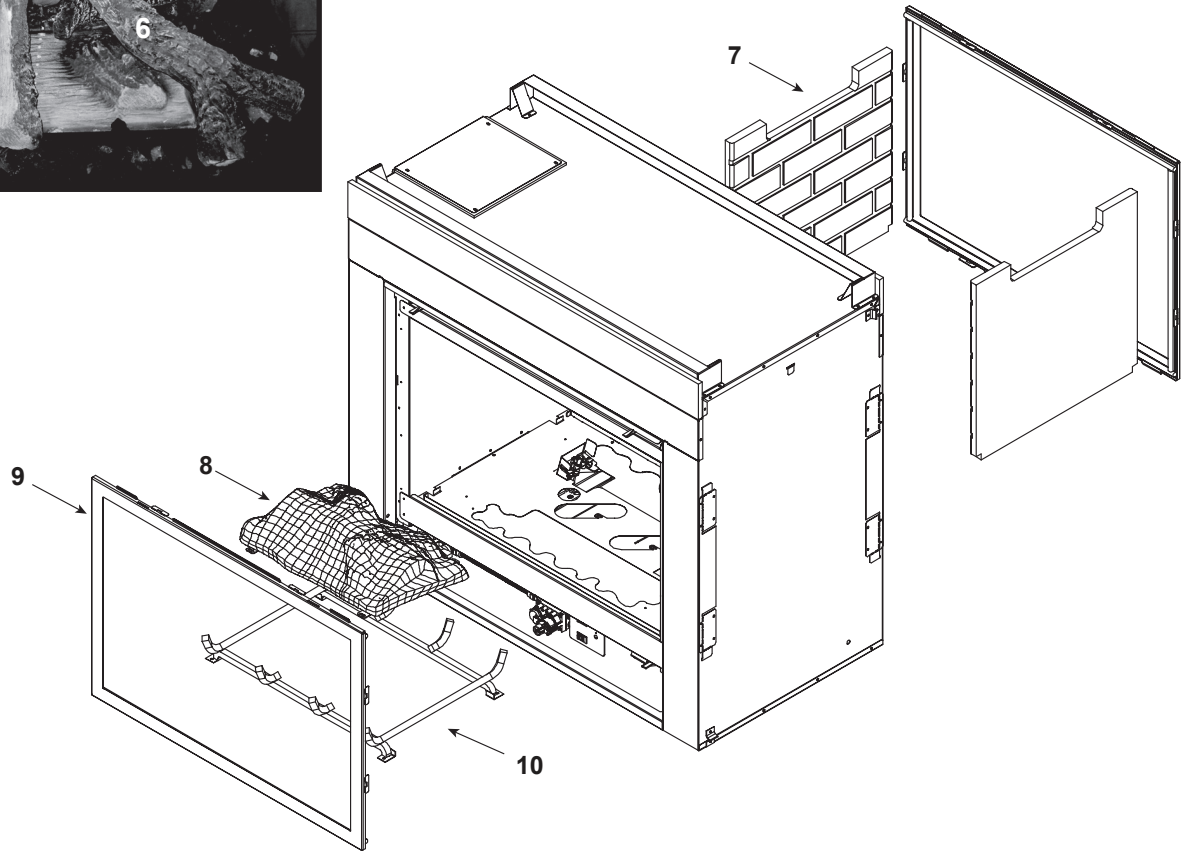
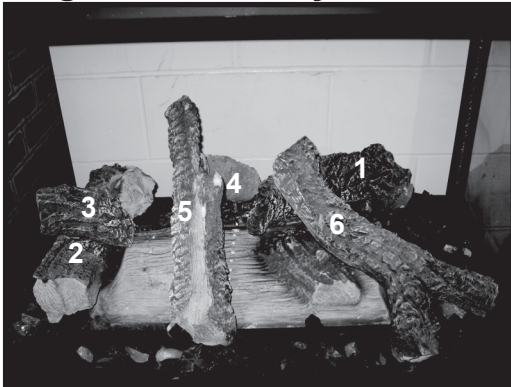


**Log Set Assembly**



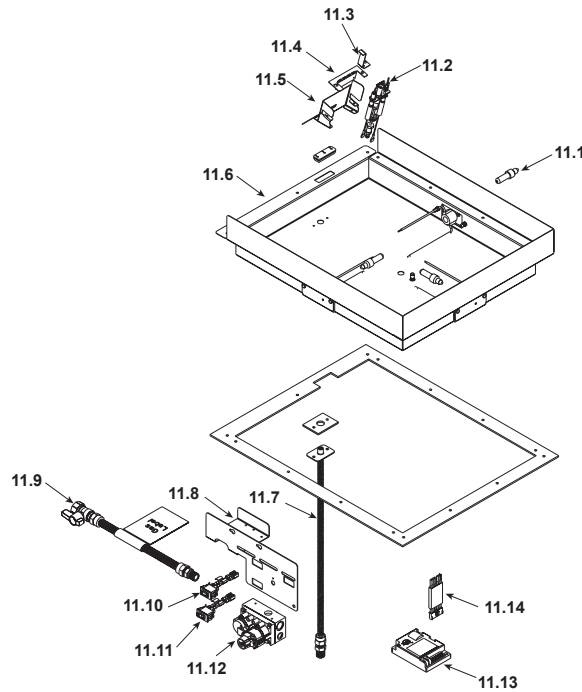
IMPORTANT: THIS IS DATED INFORMATION. Parts must be ordered from a dealer or distributor. **Hearth and Home Technologies does not sell directly to consumers.** Provide model number and serial number when requesting service parts from your dealer or distributor.



**Stocked at Depot**

ITEM	DESCRIPTION	COMMENTS	PART NUMBER	
	Log Set Assembly /Burner Assembly		SRV2005-006	Y
1	Log 1		SRV2005-701	
2	Log 2		SRV2005-700	
3	Log 3		SRV2005-702	
4	Log 4		SRV2005-703	
5	Log 5		SRV2005-704	
6	Log 6		SRV2005-705	
7	Refractory Side	Qty 2 req	SRV2005-730	
8	Log Set Assembly /Burner Assembly		SRV2005-006	Y
9	Glass Door Assembly		GLA-6TROC	Y
10	Grate Assembly		SRV2005-012	

**#11 Valve Assembly**



IMPORTANT: THIS IS DATED INFORMATION. Parts must be ordered from a dealer or distributor. **Hearth and Home Technologies does not sell directly to consumers.** Provide model number and serial number when requesting service parts from your dealer or distributor.



**Stocked at Depot**

ITEM	DESCRIPTION	COMMENTS	PART NUMBER	
11.1	Light Bulb		700-540	Y
11.2	Pilot Assembly NG		SRV4021-730	Y
	Pilot Assembly LP		SRV4021-731	Y
	Pilot Tube		SRV446-301	Y
11.3	Ground Strap	No longer available	385-512	
11.4	Pilot Assembly Support		385-120	
11.5	Pilot Bracket	No longer available	2005-118	
11.6	Ember Box Assembly		SRV2005-114	Y
11.7	Flexible Gas Connector		2005-009	Y
11.8	Valve Bracket	No longer available	2005-120	
11.9	Flex Ball Valve Assembly		SRV302-320	Y
11.10	On/Off, Switch		SRV32D0232	Y
11.11	On/Off Wire Assembly		060-521A	Y
11.12	Valve NG		SRV750-500	Y
	Valve LP		750-501	Y
11.13	Module		SRV593-592	Y
11.14	Module Wire Assembly		SRV593-590	Y
	Orifice NG (#32)		SRV582-832	Y
	Orifice LP (#50)		582-850	Y

Additional service part numbers appear on following page.

Beginning Manufacturing Date: Sept 2003  
 Ending Manufacturing Date: Jan 2007

**IMPORTANT: THIS IS DATED INFORMATION.** Parts must be ordered from a dealer or distributor. **Hearth and Home Technologies does not sell directly to consumers.** Provide model number and serial number when requesting service parts from your dealer or distributor.



**Stocked  
at Depot**

ITEM	DESCRIPTION	COMMENTS	PART NUMBER	
	3 Volt Transformer		SRV593-593	Y
	Andirons		SRV434-0450	
	Battery Pack		SRV593-594	Y
	Bracket, Andiron	No longer available	2005-149	
	Ember Mesh Assembly	No longer available	2006-008	
	Exhaust Baffle		385-128	
	Fiberglass Rope		060-455	
	Glass Latch Assembly	Pkg of 2	386-122A/2	Y
	Hood, Black		SRV60-143-BK	
	Junction Box		SRV4021-013	Y
	Kapton, Lens		2005-165	
	Lava Rock		2005-790	
	Mineral Wool		050-721	
	Non-Combustible Board (side)	No longer available	2005-172	
	Teco-Sil, 5lb. Bag White Ember Bed Rock		700-790	
	Touch Up Paint		TUP-GBK-12	
	Conversion Kit NG	No longer available	NGK-MS	
	Conversion Kit LP	No longer available	LPK-MS	
	Pilot Orifice NG		SRV446-505	Y
	Pilot Orifice LP		SRV446-517	Y
	Regulator NG		SRVNGK-DXV	Y
	Regulator LP		SRVLPK-DXV	Y