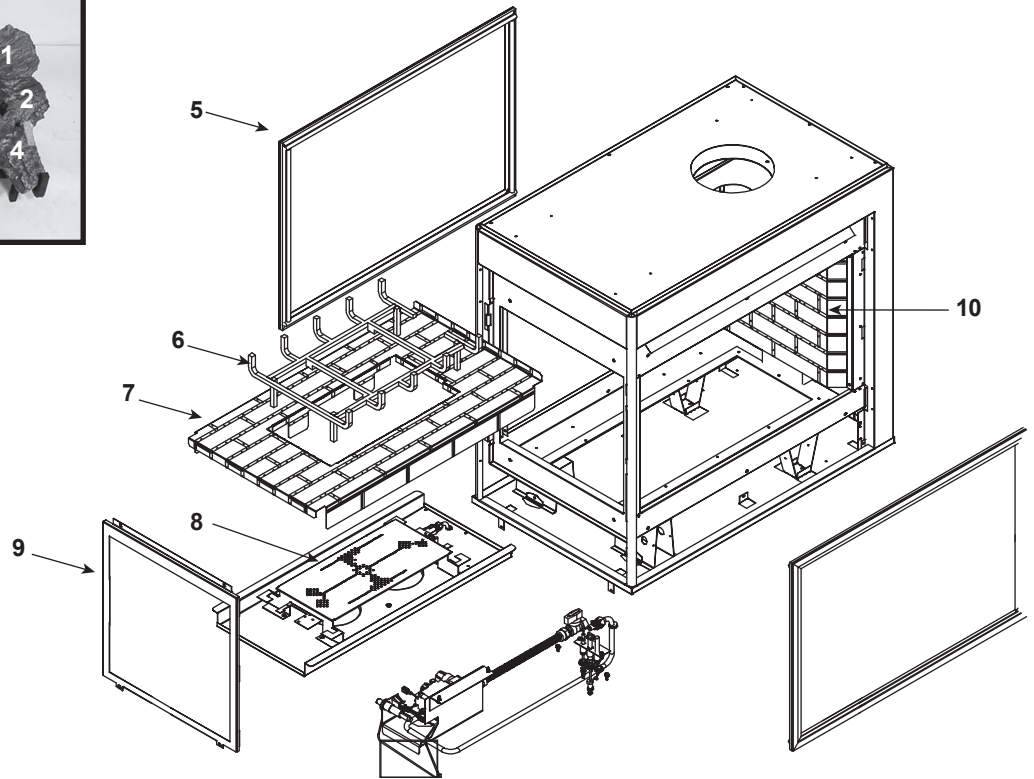
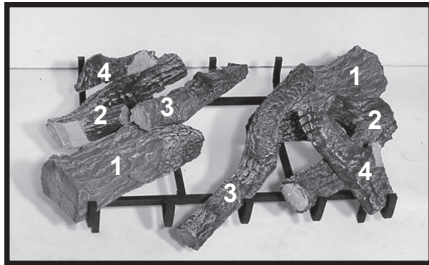


### Log Set Assembly



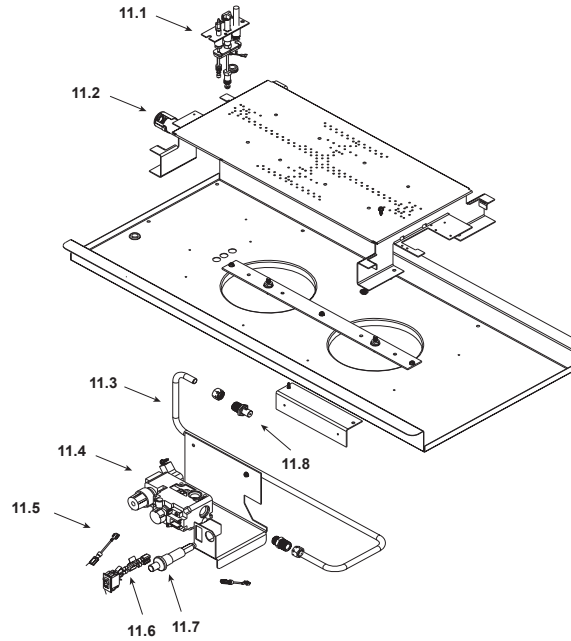
**IMPORTANT: THIS IS DATED INFORMATION.** Parts must be ordered from a dealer or distributor. **Hearth and Home Technologies does not sell directly to consumers.** Provide model number and serial number when requesting service parts from your dealer or distributor.



**Stocked at Depot**

ITEM	DESCRIPTION	COMMENTS	PART NUMBER	
	Log Set Assembly		LOGS-297	Y
1	Log 1	<b>No longer available, Must order complete assembly</b>	SRV501-700	
2	Log 2		SRV484-704	
3	Log 3		SRV484-703	
4	Log 4		SRV484-705	
5	Glass Door Assembly		GLA-PIER	Y
6	Grate Assembly	<b>No longer available</b>	501-363	
7	Base Refractory	<b>No longer available</b>	464-292	
8	Burner Assembly NG		501-173A	Y
	Burner Assembly LP		501-172A	Y
9	Glass Door Assembly, End	<b>No longer available</b>	GLA-PTRC-E	
10	Refractory End	<b>No longer available</b>	464-280	
	Junction Box		100-250A	Y
	Lava Rock		4021-297	
	Mineral Wool		050-721	
	Touch Up Paint		TUP-GBK-12	

## #11 Valve Assembly



IMPORTANT: THIS IS DATED INFORMATION. Parts must be ordered from a dealer or distributor. **Hearth and Home Technologies does not sell directly to consumers.** Provide model number and serial number when requesting service parts from your dealer or distributor.



**Stocked at Depot**

ITEM	DESCRIPTION	COMMENTS	PART NUMBER	
11.1	Pilot Assembly NG		4021-736	Y
	Pilot Assembly LP		4021-737	Y
	Pilot Tube		SRV485-301	Y
	Thermocouple		446-511	Y
	Thermopile		2103-512	Y
11.2	Burner Assembly NG		501-173A	Y
	Burner Assembly LP		501-172A	Y
11.3	Burner Tube	No longer available	SRV501-302	
11.4	Valve NG		060-522	Y
	Valve LP		060-523	Y
11.5	Wire Assembly		049-552A	Y
11.6	On/Off Wire Assembly		060-521A	Y
11.7	Piezo Ignitor		291-513	Y
11.8	Orifice NG (#32DMS)	No Longer Available	573-800	
	Orifice LP (#51.8mm)	No longer available	501-801	
	Flex Ball Valve Assembly		SRV302-320	Y
	Conversion Kit NG	No Longer Available	NGK-297	
	Conversion Kit LP	No Longer Available	LPK-297	
	Pilot Orifice NG		SRV446-505	Y
	Pilot Orifice LP		SRV446-517	Y
	Regulator NG		SRV060-518	Y
	Regulator LP		060-519	Y