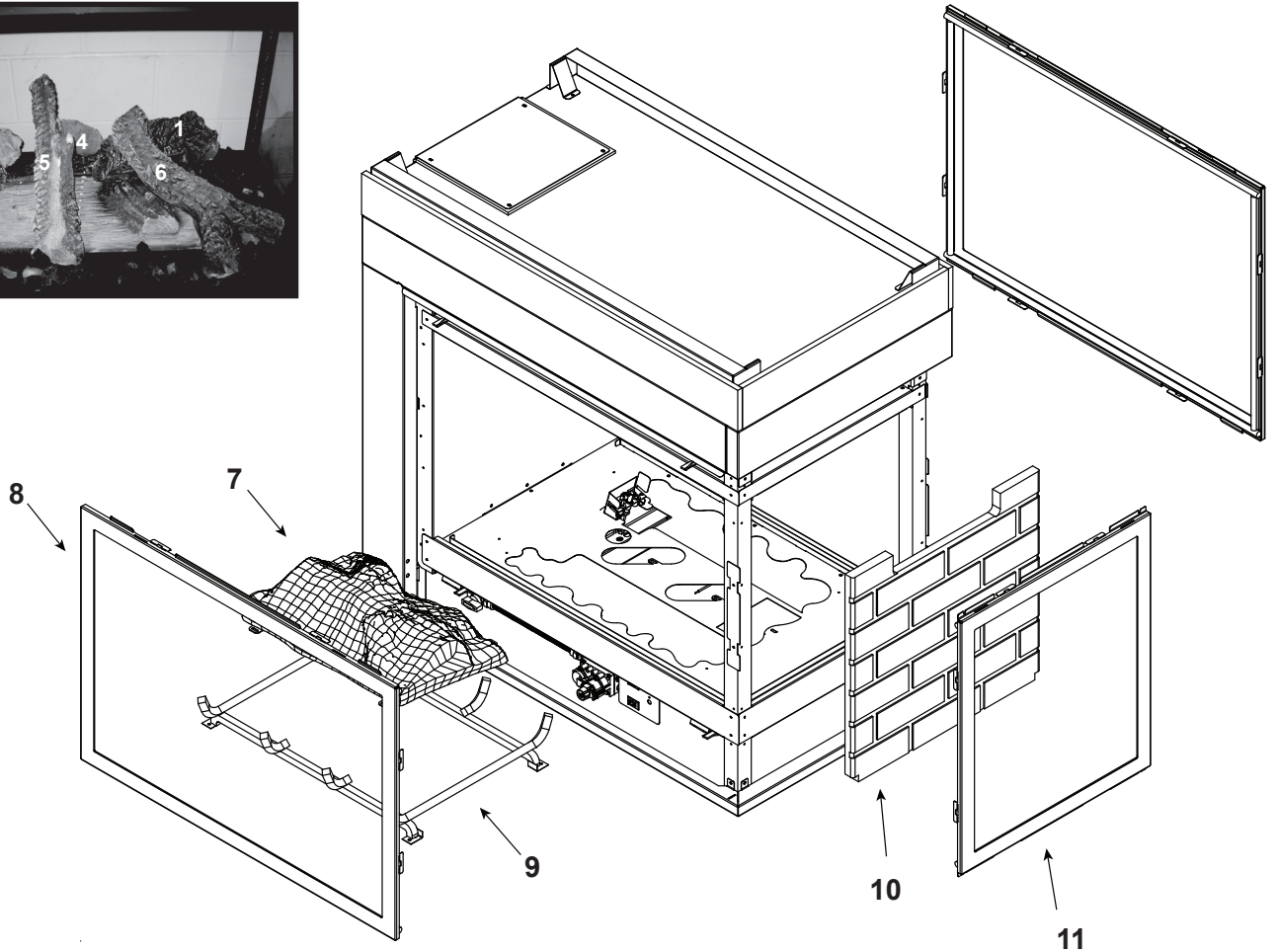
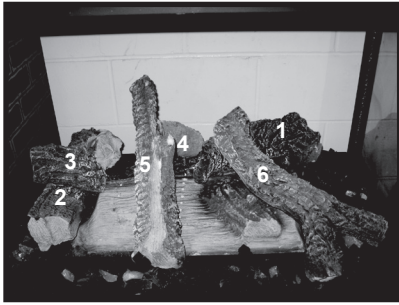


**Log Set Assembly**



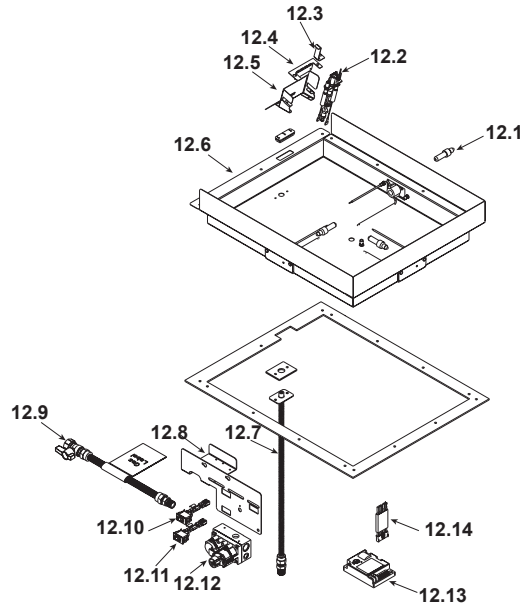
IMPORTANT: THIS IS DATED INFORMATION. Parts must be ordered from a dealer or distributor. **Hearth and Home Technologies does not sell directly to consumers.** Provide model number and serial number when requesting service parts from your dealer or distributor.



**Stocked at Depot**

ITEM	DESCRIPTION	COMMENTS	PART NUMBER	
	Log Set Assembly /Burner Assembly		SRV2005-006	Y
1	Log 1		SRV2005-701	
2	Log 2		SRV2005-700	
3	Log 3		SRV2005-702	
4	Log 4		SRV2005-703	
5	Log 5		SRV2005-704	
6	Log 6		SRV2005-705	
7	Log Set Assembly /Burner Assembly		SRV2005-006	Y
8	Glass Door Assembly	Qty 2 req	GLA-6TROC	Y
9	Grate Assembly		SRV2005-012	
10	Refractory Side		SRV2005-730	
11	Glass Door Assembly , End		GLA-MS	Y

## #12 Valve Assembly



IMPORTANT: THIS IS DATED INFORMATION. Parts must be ordered from a dealer or distributor. **Hearth and Home Technologies does not sell directly to consumers.** Provide model number and serial number when requesting service parts from your dealer or distributor.



**Stocked  
at Depot**

ITEM	DESCRIPTION	COMMENTS	PART NUMBER	
12.1	Light Bulb		700-540	Y
12.2	Pilot Assembly NG	Pre 7/23/03	4021-422	
		Post 7/23/03	SRV4021-730	Y
	Pilot Assembly LP	Pre 7/23/03	4021-423	
		Post 7/23/03	SRV4021-731	Y
	Pilot Tube		SRV446-301	Y
12.3	Ground Strap	No longer available	385-512	
12.4	Pilot Assembly Support		385-120	
12.5	Pilot Bracket	No longer available	2005-118	
12.6	Ember Box Assembly		SRV2005-114	Y
12.7	Flexible Gas Connector		2005-009	Y
12.8	Valve Bracket	No longer available	2005-120	
12.9	Flex Ball Valve Assembly		SRV302-320	Y
12.10	On/Off, Switch		SRV32D0232	Y
12.11	On/Off Wire Assembly		060-521A	Y
12.12	Valve NG		750-500	Y
	Valve LP		750-501	Y
12.13	Module		SRV593-592	Y
12.14	Module Wire Assembly		SRV593-590	Y
	3 Volt Transformer		SRV593-593	Y
	Battery Pack		SRV593-594	Y
	Orifice NG (#33)		582-833	Y
	Orifice LP (#50)		582-850	Y

Additional service part numbers appear on following page.

