



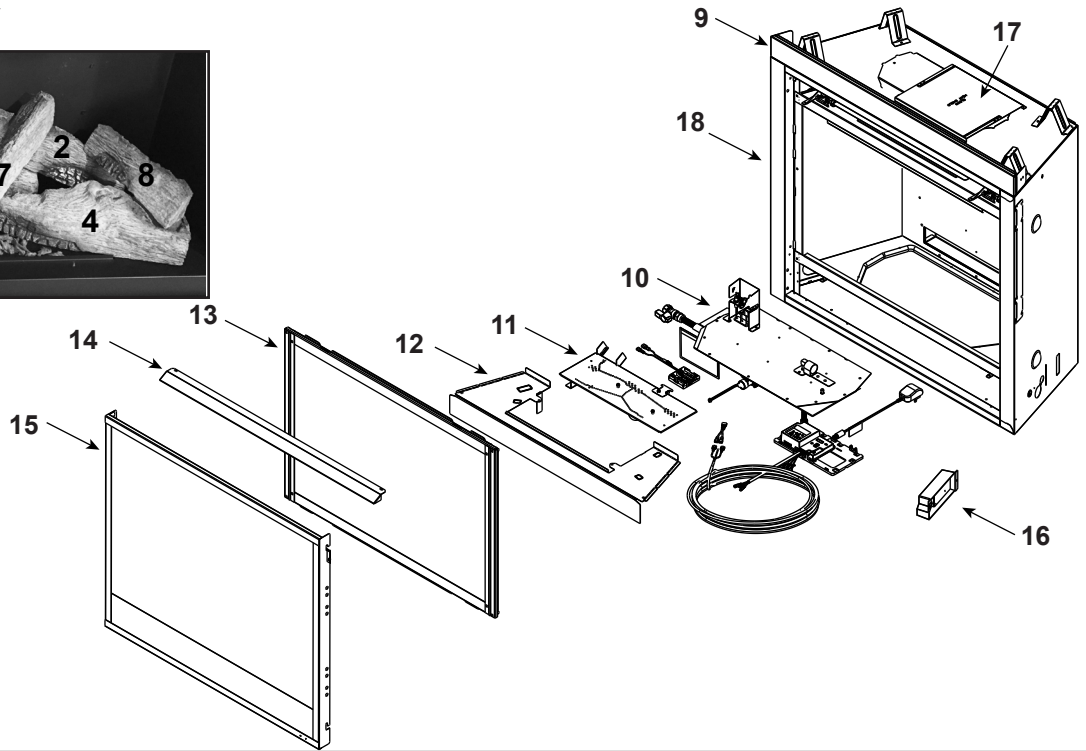
Service Parts **QUARTZ32IFTN/QUARTZ32IFTL**

Quartz 32" Gas Fireplace - DV

Beginning Manufacturing Date: March 2020

Ending Manufacturing Date: Active

Log Set Assembly



IMPORTANT: THIS IS DATED INFORMATION. Parts must be ordered from a dealer or distributor. **Hearth and Home Technologies does not sell directly to consumers.** Provide model number and serial number when requesting service parts from your dealer or distributor.



Stocked at Depot

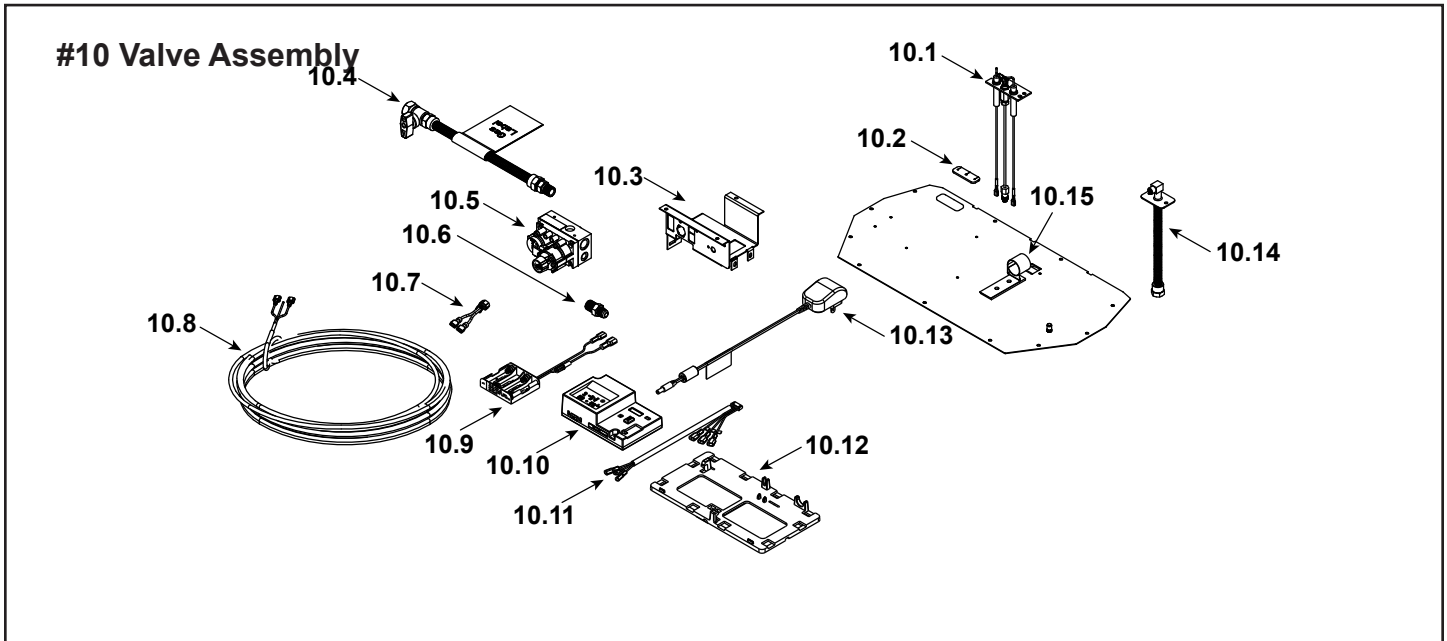
ITEM	DESCRIPTION	COMMENTS	PART NUMBER	
	Log Set Assembly		LOGS-QUARTZ32	Y
1	Rear Left Base Log		SRV2413-701	
2	Rear Right Base Log		SRV2412-702	
3	Front Left Base Log		SRV2413-703	
4	Front Right Base Log		SRV2412-704	
5	Top Left Log		SRV2413-705	
6	Middle Left Cross Log		SRV2413-706	
7	Middle Right Cross Log		SRV2413-707	
8	Top Right Log		SRV2413-708	
9	Drywall Support		2391-119	
10	Valve Assembly		See following page	
11	Burner Assembly		2412-007	Y
12	Base Pan		2412-111	
13	Glass Door Assembly		GLA-550TR	Y
14	Hood		2115-230	
15	Door		SRV2401-021	
16	Junction Box		SRV4021-013	Y
17	Elbow Heat Shield		385-290	
18	Overlay Kit		SRV550-FACE	

Additional service part numbers appear on following page.



Service Parts QUARTZ32IFTN/QUARTZ32IFTL

Beginning Manufacturing Date: March 2020
Ending Manufacturing Date: Active



IMPORTANT: THIS IS DATED INFORMATION. Parts must be ordered from a dealer or distributor. **Hearth and Home Technologies does not sell directly to consumers.** Provide model number and serial number when requesting service parts from your dealer or distributor.



Stocked at Depot

ITEM	DESCRIPTION	COMMENTS	PART NUMBER	Stocked at Depot
10.1	Pilot Assembly NG		2106-169	Y
	Pilot Assembly Propane		2106-170	Y
	Pilot Tube		SRV485-301	Y
10.2	3-Hole Grommet		SRV2118-420	
10.3	Valve Bracket		2118-104	
10.4	Flex Ball Valve Assembly		SRV302-320	Y
10.5	Valve NG		SRV2166-302	Y
	Valve Propane		2166-303	Y
10.6	Male Connector	Pkg of 5	303-315/5	
10.7	Jumper Wire		SRV2187-198	Y
10.8	Thermostat Wire Assembly		SRV2118-170	Y
10.9	Battery Pack**		SRV2326-134	Y
10.10	Module, IFT Control		SRV2326-130	Y
10.11	Wire Harness, IFT 6 Pin		SRV2326-132	Y
10.12	Component Tray		2279-185	
10.13	6 Volt Transformer		SRV2326-131	Y
10.14	Bulkhead w/Flex Tube		SRV7000-156	Y
10.15	Shutter Bracket Assembly		2118-121	
	Orifice NG (#44)		582-844	Y
	Orifice Propane (#55)		582-855	Y

**Fuse for battery pack can be sourced locally, not a warranty item. Specs are 250v, 3A fuse, 3/4" long

Additional service part numbers appear on following page.

