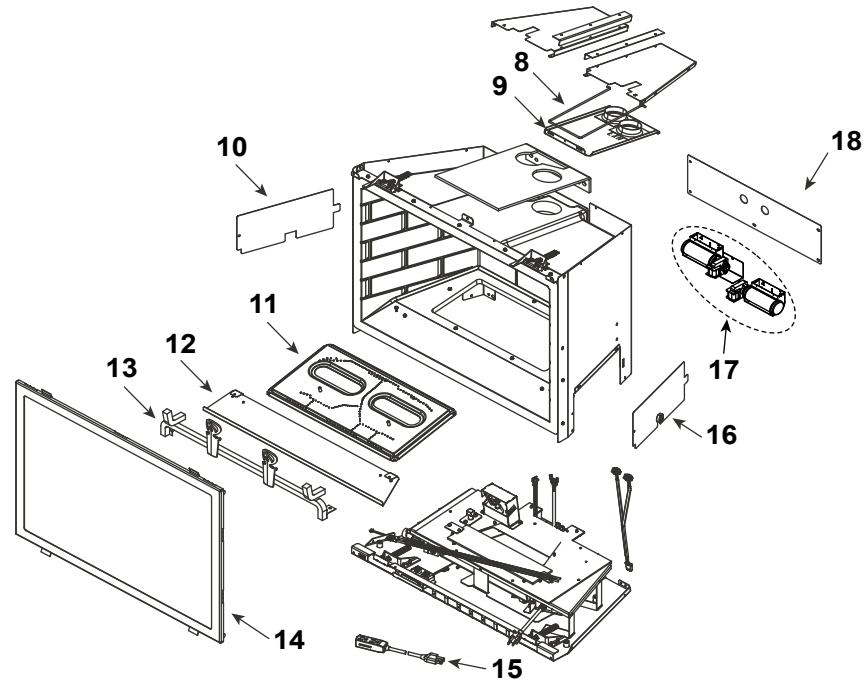
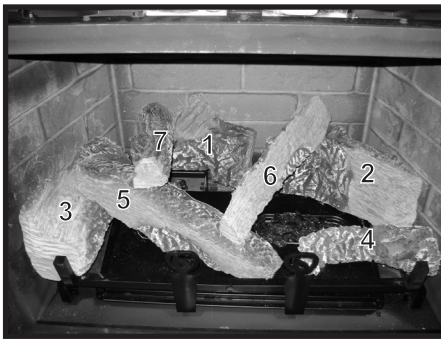


## Log Set Assembly



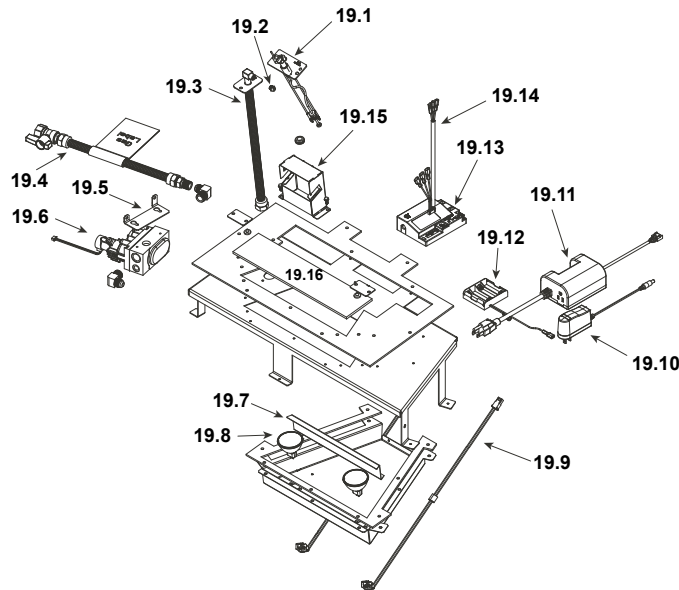
IMPORTANT: THIS IS DATED INFORMATION. Parts must be ordered from a dealer or distributor. **Hearth and Home Technologies does not sell directly to consumers.** Provide model number and serial number when requesting service parts from your dealer or distributor.



Stocked at Depot

ITEM	DESCRIPTION	COMMENTS	PART NUMBER	
	Log Assembly		LOGS-QFI30FB	Y
1	Log 1	<b>No longer available, Must order complete assembly</b>	SRV2221-701	
2	Log 2		SRV2221-702	
3	Log 3		SRV2221-703	
4	Log 4		SRV2221-704	
5	Log 5		SRV2221-705	
6	Log 6		SRV2221-706	
7	Log 7		SRV2221-707	
8	Slide Plate Handle		2019-201	
9	Slide Plate Assembly		2201-012	
	Gasket, Termination Plate		2201-401	
10	Cover Plate, Left	<b>No longer available</b>	2202-113	
11	Burner Assembly		2221-007	Y
12	Media Tray		2201-112	
13	Grate Assembly	<b>No longer available</b>	2221-016	
		Grate with no Andirons	SRV2221-017	
14	Glass Door Assembly		GLA-30FB	Y
15	Power Cord Assembly		2201-024	Y
16	Cover Plate, Right		2202-114	
17	Blower Assembly		GFK-210-C	
18	Cover Plate, Back		SRV2202-104	

## #19 Valve Assembly



**IMPORTANT: THIS IS DATED INFORMATION.** Parts must be ordered from a dealer or distributor. **Hearth and Home Technologies does not sell directly to consumers.** Provide model number and serial number when requesting service parts from your dealer or distributor.



**Stocked  
at Depot**

ITEM	DESCRIPTION	COMMENTS	PART NUMBER	
19.1	*Pilot Assembly NG		Call Tech Service with Serial number	
	*Pilot Assembly LP			
19.2	Burner Orifice NG (#33C)		582-833	Y
	Burner Orifice LP (#50C)		582-850	Y
19.3	Flex Assembly		383-302A	Y
19.4	Flex Ball Valve Assembly		2201-108	Y
19.5	Valve Bracket		SRV2202-108	
19.6	Valve NG		SRV2166-302	Y
	Valve LP		2166-303	Y
19.7	Air Passage Divider		2201-144	
19.8	Ember Bulb	Qty 2 req	2201-150	Y
19.9	Light Wire Assembly		2201-011	Y
19.10	Transformer, 6 Volt Wall		SRV2326-131	Y
19.11	Auxilliary Box		SRV2166-335	Y
	AUX Extension Wire		2201-155	Y
19.12	Battery Pack**		SRV2166-323	Y
19.13	Module		2166-347	Y
19.14	Wire Assembly		2201-304	Y
19.15	*Pilot Bracket	Call Tech Service with Serial number		
19.16	Ember Glass		2201-115	Y
	Rocker Switch		SRV2206-299	Y

\*\*Fuse for battery pack can be sourced locally, not a warranty item. Specs are 250v, 1A fuse, 3/4" long

\*Call Tech Service with serial number for correct conversion and/or possible upgrade pilot kit

Additional service part numbers on following page.

IMPORTANT: THIS IS DATED INFORMATION. Parts must be ordered from a dealer or distributor. **Hearth and Home Technologies does not sell directly to consumers.** Provide model number and serial number when requesting service parts from your dealer or distributor.



**Stocked  
at Depot**

ITEM	DESCRIPTION	COMMENTS	PART NUMBER	
	Ember Rocks		2201-853	
	Glass Clip Support Assembly	Pkg of 2	33858/2	Y
	Glass Latch Support Assembly	Qty 2 req	2146-413	Y
	Lava Rock		4021-296	
	Mineral Wool		050-721	
	Patch Kit, Firebrick		PATCHKIT-FB	
	Remote		RC300-QDF	
	Stainless Steel Liner		768-380A	
	Touch up Paint		TUP-GBK-12	
	Wire Assembly, Module Reset		2201-030	Y
	Touch Up Paint, Fiber		STRATFORD-KIT	
	EMC Filter		2201-198	
	Firescreen Front	Black	FS-FBQF30-BK	
	*Conversion Kit NG		Call Tech Service with Serial number	
	*Conversion Kit LP			
	*Pilot Orifice NG		Call Tech Service with Serial number	
	*Pilot Orifice LP			
	Regulator NG		NGK-DXV-50	Y
	Regulator LP		SRVLPK-DXV-50	Y

\*Call Tech Service with serial number for correct conversion and/or possible upgrade pilot kit