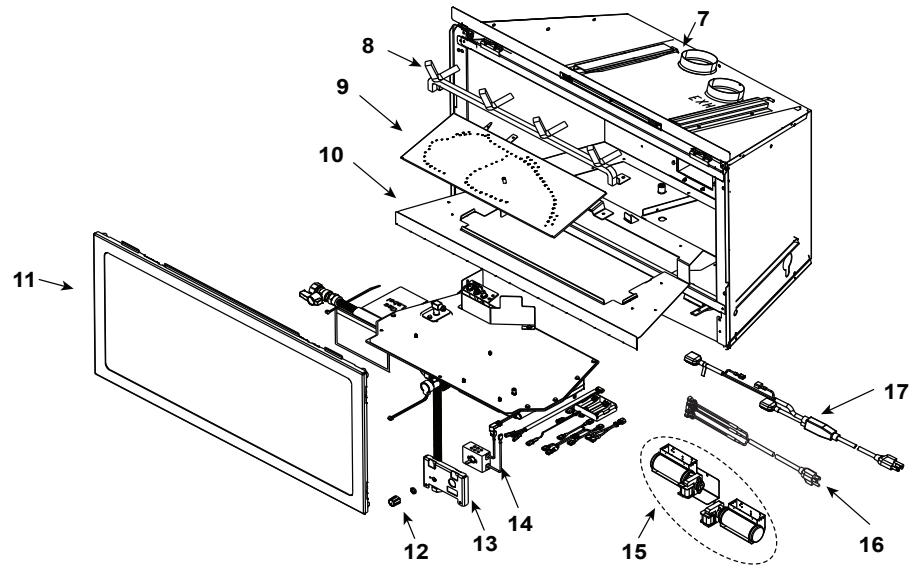
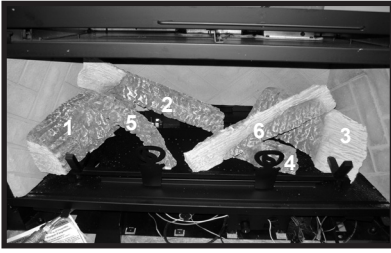


### Log Set Assembly



**IMPORTANT: THIS IS DATED INFORMATION.** Parts must be ordered from a dealer or distributor. **Hearth and Home Technologies does not sell directly to consumers.** Provide model number and serial number when requesting service parts from your dealer or distributor.

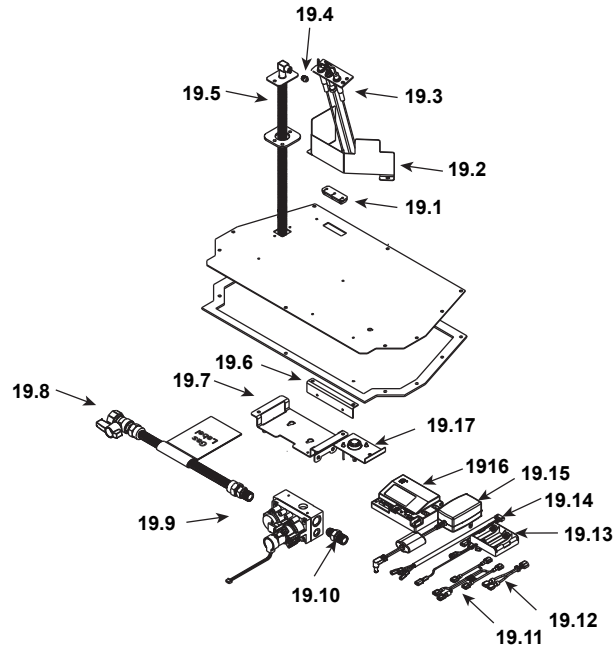


**Stocked  
at Depot**

ITEM	DESCRIPTION	COMMENTS	PART NUMBER	
	Log Assembly		LOGS-QFI30	Y
1	Log 1	<b>Pre 5/15/16, Must order complete assembly</b>	SRV2227-703	
2	Log 2		SRV2227-702	
3	Log 3		SRV2227-701	
4	Log 4		SRV2227-705	
5	Log 5		SRV2227-706	
6	Log 6		SRV2227-704	
7	Termination Plate Assembly	Pre 0023696931	2206-012	
		Post 0023696931	2206-013	
	Flex Pipe Handle		438-351	
	Gasket	Pre 0023696931	2206-401	
		Post 0023696931	2206-178	
8	Grate Assembly	<b>No longer available</b>	2227-016	
9	Burner Assembly		SRV2227-009-BK	Y
10	Base Pan		SRV2206-127-BK	
11	Glass Door Assembly		GLA-2206	Y
12	Rheostat Knob		SRV100-512	Y
13	Control Panel		SRV2205-129-BK	
14	Rheostat		2206-800	Y
15	Blower		GFK-210-C	
16	Wire Assembly		2206-068	Y
17	Cord Assembly		2201-017	Y
	Fuse Wire Assembly	Qty 2 req	2206-085	Y

Additional service part numbers appear on following page.

### #19 Valve Assembly



IMPORTANT: THIS IS DATED INFORMATION. Parts must be ordered from a dealer or distributor. **Hearth and Home Technologies does not sell directly to consumers.** Provide model number and serial number when requesting service parts from your dealer or distributor.



**Stocked  
at Depot**

ITEM	DESCRIPTION	COMMENTS	PART NUMBER	
19.1	Grommet, 3 Hole		SRV2118-420	
19.2	Pilot Shield		SRV2206-120-BK	
19.3	Pilot Assembly NG		2202-013	Y
	Pilot Assembly Propane		2202-014	Y
19.4	Orifice NG (#35C)		SRV582-835	Y
	Orifice Propane (#51C)		SRV582-851	Y
19.5	Flexible Gas Connector		530-302A	Y
19.6	Control Panel Bracket		SRV2205-128	
19.7	Valve Bracket		SRV2205-146	
19.8	Flex Ball Valve Assembly		SRV302-320	Y
19.9	Valve NG		2166-302	Y
	Valve Propane		2166-303	Y
19.10	Brass Connector	Pkg of 5	303-315/5	Y
19.11	Remote Jumper Wire		2103-013	Y
19.12	Jumper Wire		SRV2187-198	Y
19.13	**Battery Pack		SRV2166-323	Y
19.14	Wire Harness		2166-304	Y
19.15	Power Supply		SRV2326-131	Y
19.16	Module		2166-347	Y
19.17	Temp Sensor Assembly		SRV046-018A	Y

\*\*Fuse for battery pack can be sourced locally, not a warranty item. Specs are 250v, 1A fuse, 3/4" long

Additional service part numbers appear on following page.

