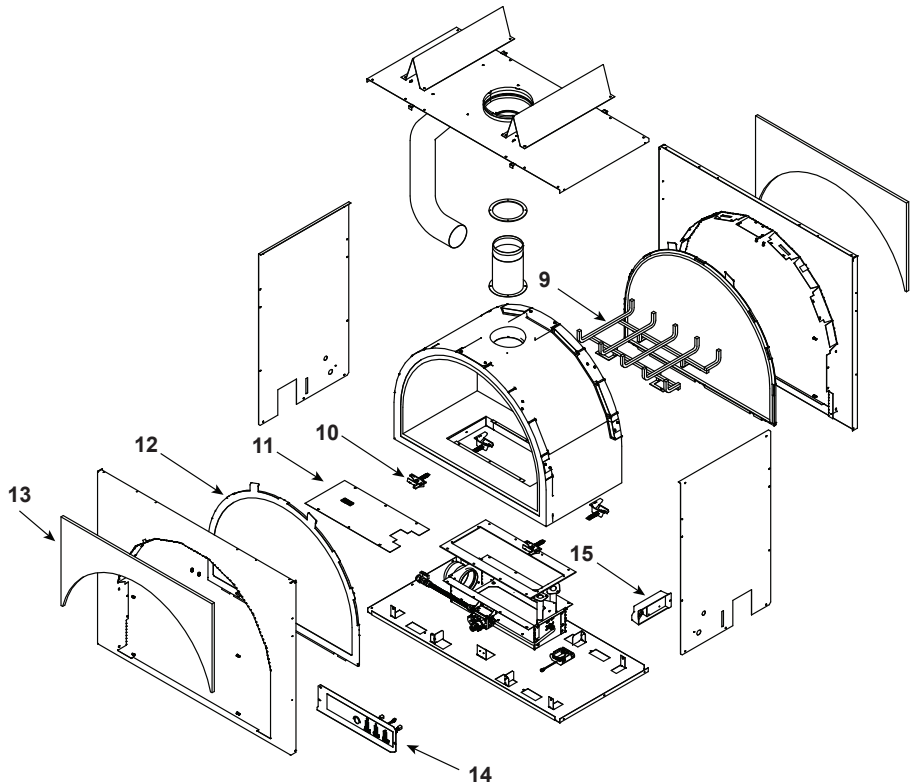
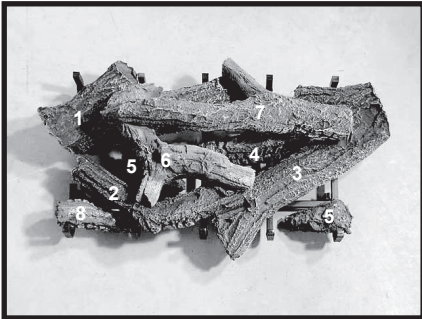


### Log Set Assembly



**IMPORTANT: THIS IS DATED INFORMATION.** Parts must be ordered from a dealer or distributor. **Hearth and Home Technologies does not sell directly to consumers.** Provide model number and serial number when requesting service parts from your dealer or distributor.



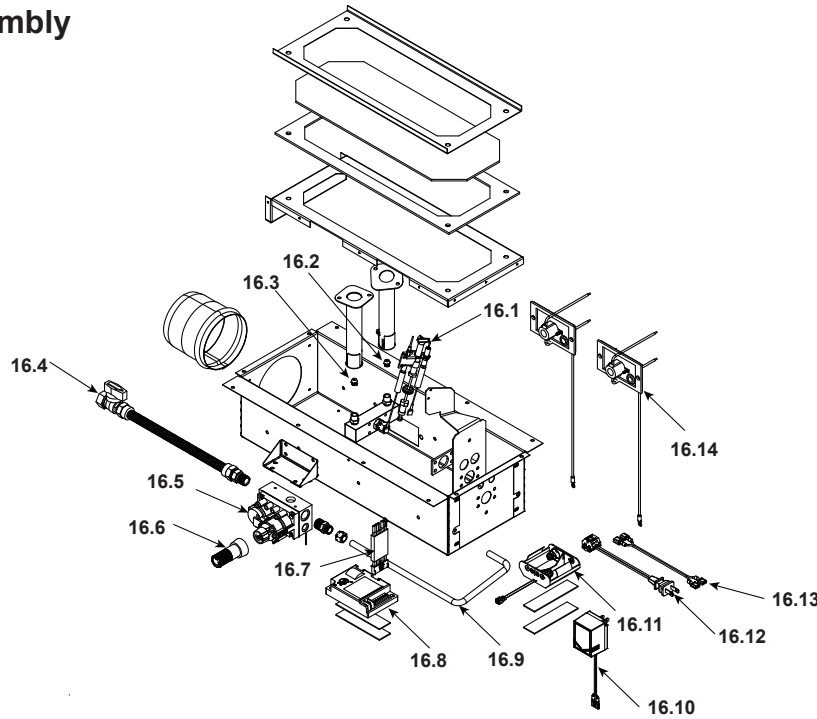
**Stocked at Depot**

ITEM	DESCRIPTION	COMMENTS	PART NUMBER	
	Log Set Assembly		LOGS-PASSAGE	<b>Y</b>
1	Log 1 w/Burner	<b>No longer available, Must order complete assembly</b>	SRV700-701A	
2	Log 2		SRV700-702A	
3	Log 3		SRV700-704	
4	Log 4		SRV700-705	
5	Log 5		SRV700-706	
6	Log 6		SRV700-707	
7	Log 7		SRV700-708	
8	Log 8			
9	Grate Assembly, NG	<b>No longer available</b>	700-360A	
	Grate Assembly, LP	<b>No longer available</b>	700-361A	
10	Glass Latch Assembly	Pkg of 2	386-122A/2	<b>Y</b>
11	Screen Ember Mesh	<b>No longer available</b>	700-171	
12	Glass Door Assembly	<b>No longer available</b>	GLA-PASSAGE	
13	Non-Combustible Board	<b>No longer available</b>	705-403	
14	Control Panel Assembly	<b>No longer available</b>	700-170A	
15	Junction Box	Pre 002621631	383-250A	<b>Y</b>
		Post 002621631	SRV4021-013	<b>Y</b>

No one builds a better fire

Beginning Manufacturing Date: Nov 2001  
Ending Manufacturing Date: Jan 2009

### #16 Valve Assembly



**IMPORTANT: THIS IS DATED INFORMATION.** Parts must be ordered from a dealer or distributor. **Hearth and Home Technologies does not sell directly to consumers.** Provide model number and serial number when requesting service parts from your dealer or distributor.



**Stocked at Depot**

ITEM	DESCRIPTION	COMMENTS	PART NUMBER	
16.1	Pilot Assembly NG		SRV4021-730	Y
	Pilot Assembly LP		SRV4021-731	Y
16.2	Orifice Burner NG (#44C)		582-844	Y
	Orifice Burner LP (#56C)		582-856	Y
16.3	Orifice Burner NG (#52C)		SRV582-852	Y
	Orifice Burner LP (#60C)		582-860	Y
16.4	Flex Ball Valve Assembly		SRV302-320	Y
16.5	Valve NG		750-500	Y
	Valve LP		SRV593-501	Y
16.6	Extension Knob	<b>No longer available</b>	700-530	
16.7	Module Wire Assembly		SRV593-590	Y
16.8	Control Module		SRV593-592	Y
16.9	Flexible Gas Connector		530-302A	Y
16.10	3 Volt Transformer		SRV593-593	Y
16.11	Battery Pack		SRV593-594	Y
16.12	Connector Block Assembly	Pre 002621631	2176-019	Y
		<b>No longer available</b>	2005-019	
16.13	Wire Assembly	<b>No longer available</b>	700-555A	
		<b>No longer available</b>	2005-020	
16.14	Socket Assembly	<b>No longer available</b>	700-108A	

Additional service part numbers appear on following page.

