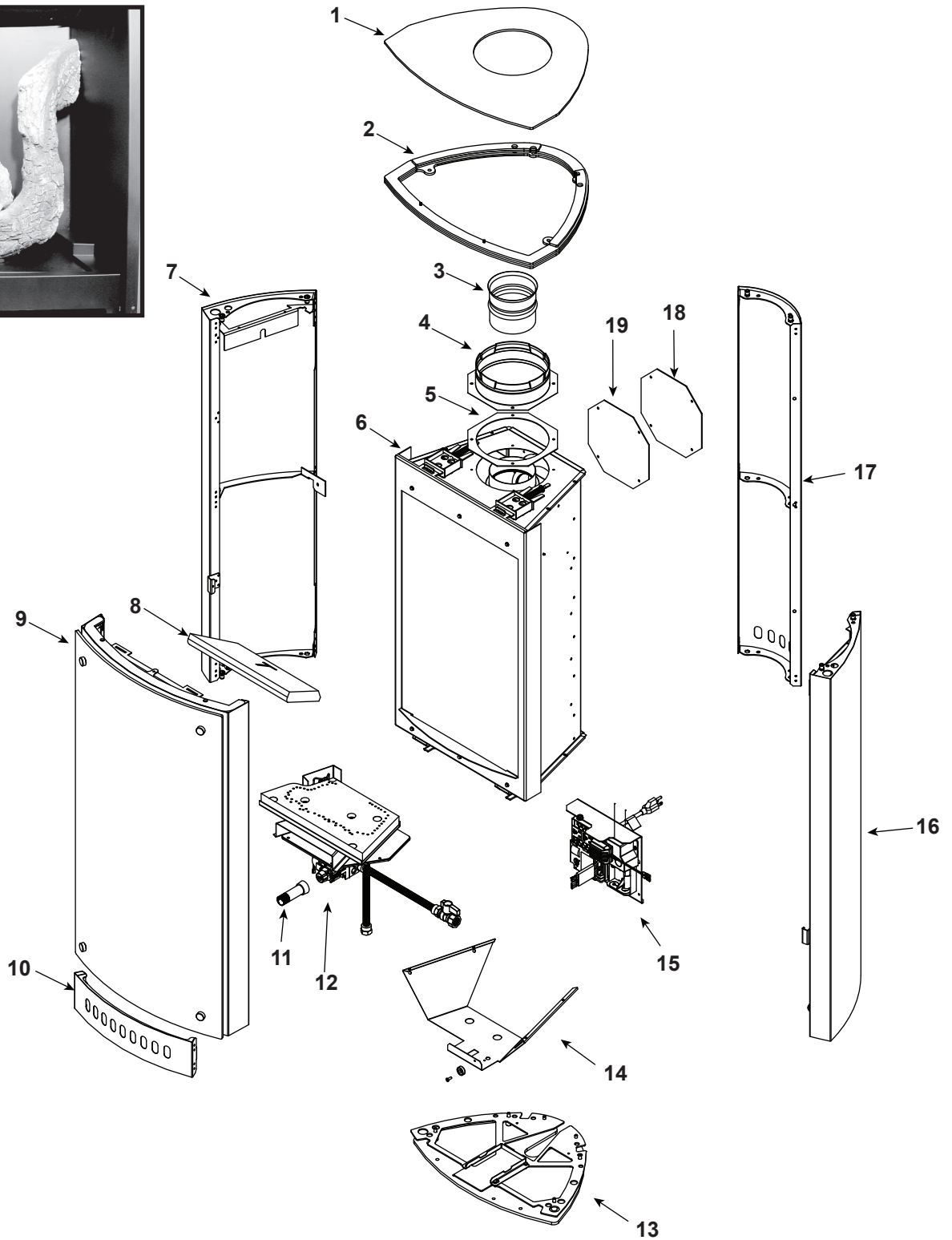


### Log Set Assembly



Part number list on following page.

No one builds a better fire

Beginning Manufacturing Date: July 2005

Ending Manufacturing Date: Sept 2009

IMPORTANT: THIS IS DATED INFORMATION. Parts must be ordered from a dealer or distributor. **Hearth and Home Technologies does not sell directly to consumers.** Provide model number and serial number when requesting service parts from your dealer or distributor.



**Stocked  
at Depot**

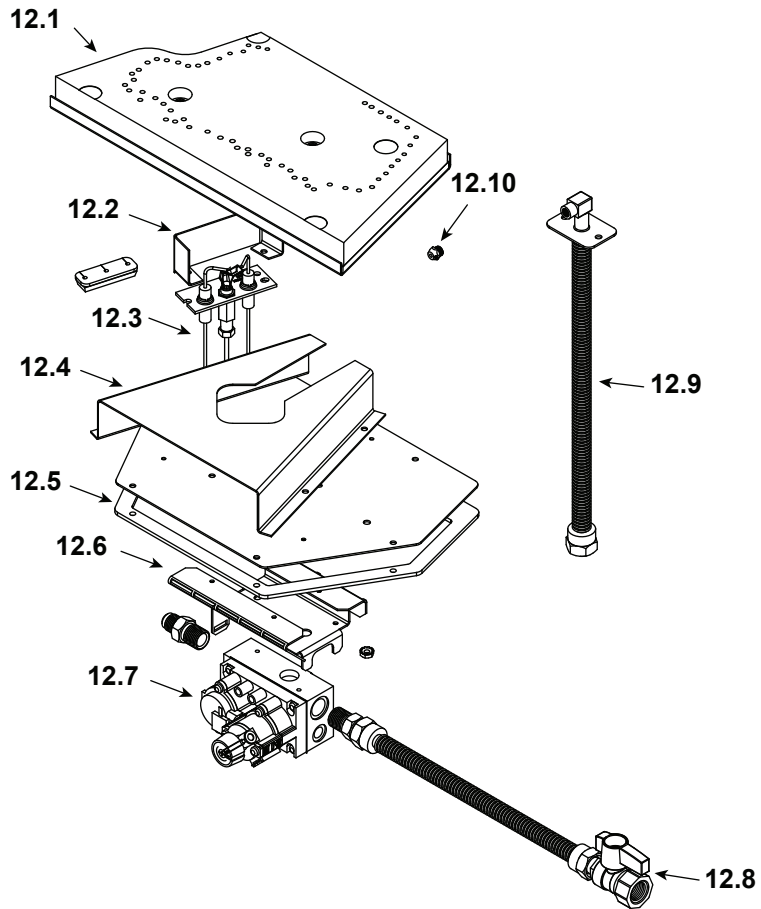
ITEM	DESCRIPTION	COMMENTS	PART NUMBER	
	Log Set Assembly		7031-033	Y
1	Removable Top Assembly Top Vent		7031-017	
	Removable Top Assembly Rear Vent	No longer available	7031-070	
		No longer available	7031-018	
2	Grill Assembly		7031-013	
3	Adaptor 4 inch flue collar		200-2470	
4	DV Adaptor	No longer available	7000-162	
5	Gasket, Adaptor		460-0610	
6	Firebox Assembly		SRV2123-004	
	Glass Frame Assembly	No longer available	7031-015	
		Post Sept 2007	SRV2123-005	
	Latch Assembly Lower	No longer available	7031-041	
		Post Sept 2007	386-122A/2	Y
	Latch Assembly Upper		7003-006	Y
7	Side Assembly Left	No longer available	7031-024	
8	Exhaust Baffle		7031-219	
9	Front Door Assembly	Bronze	SRV2123-028	
		No longer available	2123-029	
		Gray	SRV2123-016	
	Cap and Barrel Assembly		SRV2123-019	
10	Access Door Assembly		7031-023	
11	Flame Control Knob	No longer available	571-531	Y
12	Firebox Bottom Assembly		Refer to following page	
13	Bottom Plate Assembly		SRV2123-015	
14	Air Deflector		SRV2123-185	
15	Control Assembly	No longer available	SRV7031-027	
	Control Module		SRV593-592	Y
	Junction Box		SRV4021-013	Y
	Wire Assembly		SRV593-590	Y
	3V Transformer		SRV593-593	Y
	Battery Pack		SRV593-594	Y
16	Side Assembly Right	No longer available	7031-020	
17	Back Panel Assembly Vertical		7031-021	
	Back Panel Assembly Horizontal	No longer available	7031-071	
		Post May 2008	SRV7031-022	
18	Cover Plate		SRV7010-159	
19	Cover Plate Gasket		7010-160	

Additional service part numbers appear on following page.

No one builds a better fire

Beginning Manufacturing Date: July 2005  
Ending Manufacturing Date: Sept 2009

### #12 Firebox Bottom Assembly



IMPORTANT: THIS IS DATED INFORMATION. Parts must be ordered from a dealer or distributor. **Hearth and Home Technologies does not sell directly to consumers.** Provide model number and serial number when requesting service parts from your dealer or distributor.



**Stocked at Depot**

ITEM	DESCRIPTION	COMMENTS	PART NUMBER	
12.1	Burner Assembly, Hybrid	No longer available	7031-034	
12.2	Pilot Shield	No longer available	7031-234	
12.3	Pilot Assembly NG		SRV2090-012	Y
	Pilot Assembly LP		2090-013	Y
12.4	Burner Support	No longer available	7031-265	
12.5	Gasket, Firebox Bottom		7031-202	
12.6	Valve Bracket	No longer available	7031-128	
		No longer available	2111-186	
12.7	Valve NG		750-500	Y
	Valve LP		750-501	Y
12.8	Flex Ball Valve Assembly		SRV302-320	Y
12.9	Bulkhead with Flex Tube	Pre June 2008	SRV7000-156	Y
		Post June 2008	383-302A	Y
12.10	Orifice NG (#36C)		582-836	Y
	Orifice LP (#52C)		SRV582-852	Y

Additional service part numbers appear on following page.

No one builds a better fire

Beginning Manufacturing Date: July 2005  
Ending Manufacturing Date: Sept 2009

IMPORTANT: THIS IS DATED INFORMATION. Parts must be ordered from a dealer or distributor. **Hearth and Home Technologies does not sell directly to consumers.** Provide model number and serial number when requesting service parts from your dealer or distributor.



**Stocked at Depot**

ITEM	DESCRIPTION	COMMENTS	PART NUMBER	
	Blower with Rheostat		GFK-160A	
	Flue collar		7018-117	
	Flue Restrictor Plate	<b>No longer available</b>	7031-222	
	Glass Assembly	<b>No longer available</b>	PAL-GLS-BZ	
		<b>No longer available</b>	PAL-GLS-GR	
		Smoke	PAL-GLS-GY	
	Hearth Pad, Standard	Bronze	HP-PAL-BZ	
		Green	HP-PAL-GR	
		Smoke	HP-PAL-GY	
	Rear Vent Conversion Kit	<b>No longer available</b>	SRV-PAL-TR	
		<b>No longer available</b>	PAL-TR	
	Remote Control		RCT-MLT-HHT	
	Switch On/Off rocker		SRV32D0232	Y
	Temp Sensor		107-531	Y
	Variable Speed Control		SRV100-510A	Y
	Wall Switch Kit (Off white)	<b>No longer available</b>	WSK-21	
	Wall Switch Kit (White)		WSK-21-W	
	Touch Up Paint (Pewter)		TUPP-12	
	Conversion Kit NG	<b>No longer available</b>	NGK-PALOMA	Y
	Conversion Kit LP	<b>No longer available</b>	LPK-PALOMA	Y
	Pilot Orifice NG		SRV593-528	Y
	Pilot Orifice LP		SRV593-527	Y
	Regulator NG		SRVNGK-DXV	Y
	Regulator LP		SRVLPK-DXV	Y