

Part number list on following pages.

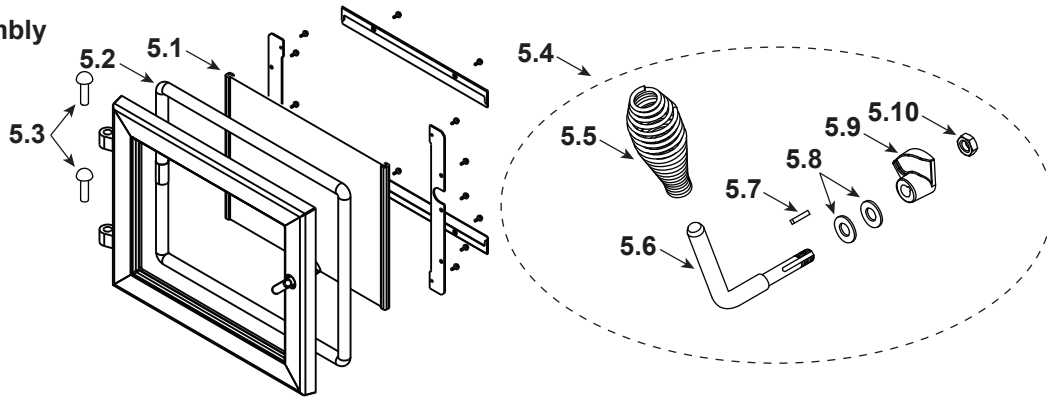
IMPORTANT: THIS IS DATED INFORMATION. Parts must be ordered from a dealer or distributor. **Hearth and Home Technologies does not sell directly to consumers.** Provide model number and serial number when requesting service parts from your dealer or distributor.



**Stocked
at Depot**

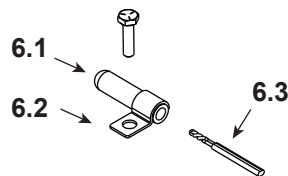
Item	Description	Comments	Part Number	Stocked at Depot
1	Hopper Lid Assembly		SRV7058-009	
2	Handle, Hopper Lid		SRV200-0110	
3	Side Curtain, Left		SRV7058-125	
4	Baffle Assembly		SRV7058-026	Y

#5 Door Assembly



5	Door Assembly		SRV7058-014	
5.1	Glass Assembly		SRV7058-015	Y
5.2	Rope, Door, 3/4" X 84"		832-1680	Y
	Corner Tape	1 Ft	SRV7027-227	
	Gasket, Glass Tape, 3/4" X 1/8"	5 Ft	832-0460	Y
5.3	Hinge Pin, 1/2"	Nickel	SRV430-5320	
5.4	Door Handle Assembly		SRV7058-030	Y
5.5	Spring Handle, 1/2"	Black	250-8330	Y
5.6	Handle, Formed Door		SRV7058-182	
5.7	Key Latch, Cam		SRV430-1151	
5.8	Washer, SAE, 3/8 (Qty 2 req)	Pkg of 3	832-0990	Y
5.9	Cam Latch		SRV430-1141	
5.10	Nut, 2-Way Side-Lock Jam	Pkg of 24	226-0100/24	Y

#6 Thermocouple Assembly



6.1	Thermocouple Protection Tube		SRV7034-186	Y
		Pkg of 10	SRV7034-186/10	
6.2	Half Clip		7000-321	
6.3	Thermocouple		812-4470	Y

Additional service parts on following page

Beginning Manufacturing Date: Mar 2019
Ending Manufacturing Date: Aug 2022

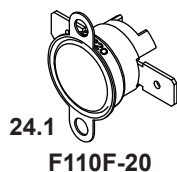
IMPORTANT: THIS IS DATED INFORMATION. Parts must be ordered from a dealer or distributor. **Hearth and Home Technologies does not sell directly to consumers.** Provide model number and serial number when requesting service parts from your dealer or distributor.



**Stocked
at Depot**

Item	Description	Comments	Part Number	
7	Firepot Assembly		SRV7034-072B	Y
	Gasket, Firepot		SRV7034-190	Y
8	Firepot Bottom		SRV7034-153	Y
9	Rail, Auto-Clean		SRV7034-152	Y
10	Spring	Pkg of 4	7000-513/4	Y
11	Hitch Pin Clip 3/32	Pkg of 10	7000-374/10	Y
12	Pull Rod		SRV7058-141	
13	Heating Element Assembly 18" (Loop Igniter)	Pkg of 1	SRV7000-462	Y
		Pkg of 10	SRV7000-462/10	Y
14	Ash Pan Assembly		SRV7058-013	
15	Pedestal Side	Qty 2 req	SRV7058-153	
16	Blower, Convection		812-4900	Y
17	Wire Harness		SRV7058-150	Y
	Fuse, 7 Amp, Junction Box	Pkg of 10	812-0380/10	Y
	Reset Button Assembly		SRV7000-040	
	Rocker Switch, 3 Position		SRV7000-517	Y
18	Blower Retainer		SRV7058-148	
19	Control Board 3 Speed		SRV7058-188	Y
20	Latch Backing Plate		SRV7058-155	
21	Blower, Exhaust Combustion		SRV7000-871	Y
22	Gasket, Exhaust Combustion Blower		SRV240-0812	Y
	Gasket, Combustion Blower, Round		812-4710	Y
23	Casting, Exhaust Transition		180-0190	

Snap Disc's



24	Snap discs			
24.1	Snap Disc, 110-20 (#1)	Right	SRV230-1220	Y
24.2	Snap Disc Manual Reset (#2)	Left	SRV230-1960	Y
25	Feed Assembly		SRV7058-007	Y
	Feed Bearing		SRV7000-598	Y
	Feed Motor		812-4421	Y
	Feed Spring Assembly (Only)		SRV7001-046	Y
	Gasket, Feed Motor		SRV7034-144	
26	Snap Disc (#3)		SRV230-1290	Y

Additional service parts on following page.

Beginning Manufacturing Date: Mar 2019
Ending Manufacturing Date: Aug 2022

IMPORTANT: THIS IS DATED INFORMATION. Parts must be ordered from a dealer or distributor. **Hearth and Home Technologies does not sell directly to consumers.** Provide model number and serial number when requesting service parts from your dealer or distributor.



**Stocked
at Depot**

Item	Description	Comments	Part Number	
27	Side Curtain, Right		SRV7058-124	
28	Vacuum Switch		SRV7000-531	Y
	Hose, Vacuum, 5/32 Id	3 Ft	SRV240-0450	Y
	Hose, Barb Assembly		SRV229-0920	
29	Hopper Switch		SRV7000-612	Y
30	Bumper, Rubber	Pkg of 12	SRV224-0340/12	Y
	Baffle Center Back		SRV7058-166	
	Component Pack	No longer available	SRV7058-063	
	Airwash		SRV7058-175	
	Cleanout Tool		SRV414-1140	Y
	Harness, Thermostat Wire		230-0810	
	Power Cord		3-20-51578	Y
	Thermostat Mechanical		812-3760	Y
	Touch-Up Paint		3-42-19905	

ACCESSORIES

	Collar, Offset, Top Vent		812-3570	
	Damper ,3"	For Tall Vertical Runs Only	PEL-DAMP3	Y
	Damper, 4"		PEL-DAMP4	
	Outside Air Kit, 3"		OAK-3	
	Outside Air Kit, 2"		811-0872	
	Hose, Alum Flex, 2 Inch X 3 Ft	3 Ft	SRV200-0860	
	Outside Air Cap Assembly		SRV7001-044	
	Outside Air Collar Assembly		SRV7001-045	
	Trim Plate, Outside Air Kit		SRV412-7100	
	Pull Rod Handle		PULLROD-HNDL	
	Smart-Batt II	No longer available	SMARTBATT-B	
	Smart-Stat II		SMART-STAT-HHT	
	Top Vent Adapter		TPVNT-5	
	Gasket Clean Out Top Flue		SRV411-1130	
	Component Pack		SRV7058-054	
	Vent Adapter, 3-4"		811-0720	
	Vent Adapter, 90, Cleanout		TPVNT-6	

