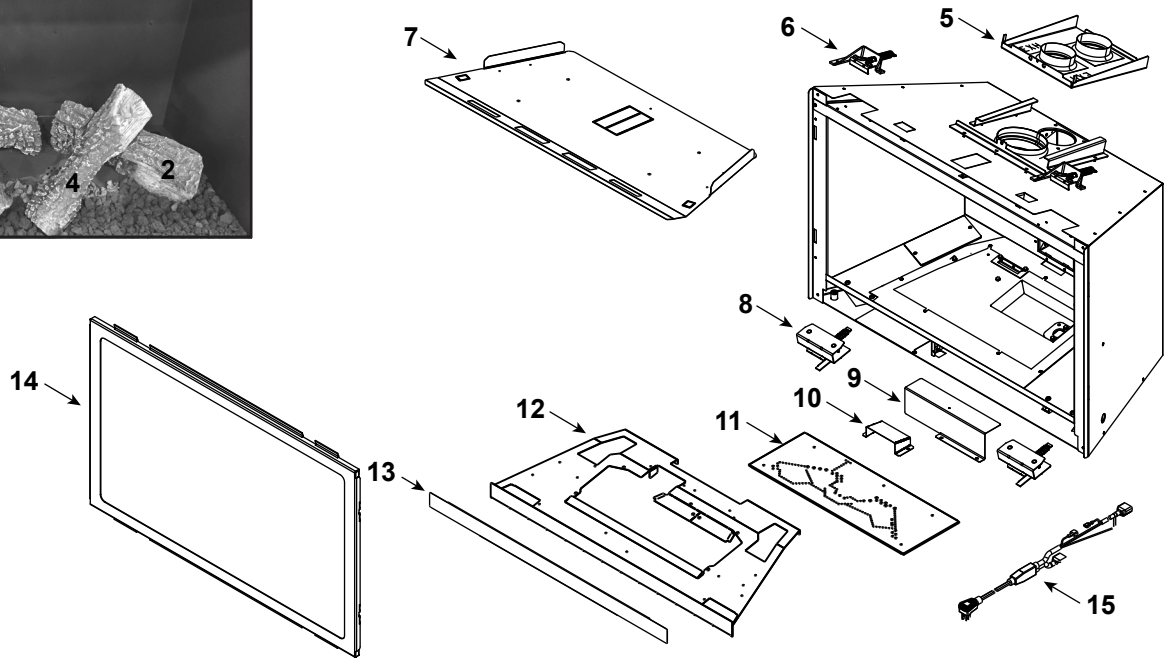
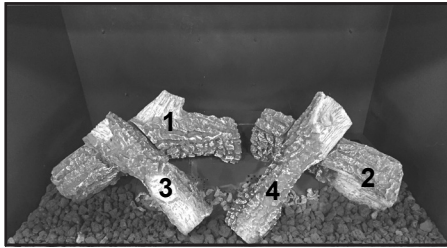


Log Set Assembly



IMPORTANT: THIS IS DATED INFORMATION. Parts must be ordered from a dealer or distributor. **Hearth and Home Technologies does not sell directly to consumers.** Provide model number and serial number when requesting service parts from your dealer or distributor.



Stocked at Depot

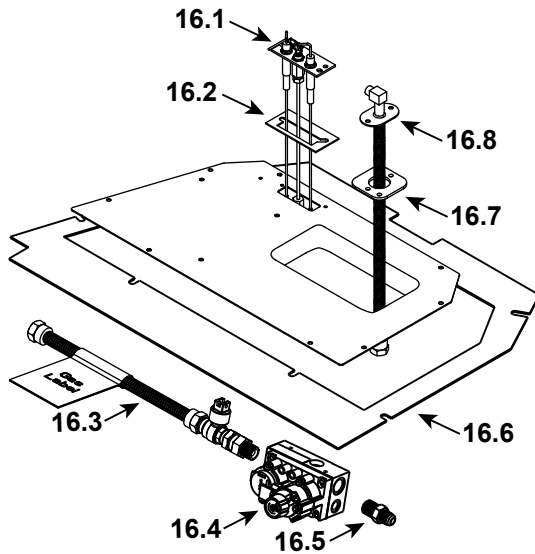
ITEM	DESCRIPTION	COMMENTS	PART NUMBER	
	Log Assembly		LOGS-2545	Y
1	Log 1		SRV2545-711	
2	Log 2		SRV2545-712	
3	Log 3		SRV2534-713	
4	Log 4		SRV2532-715	
5	Slide Plate Assembly		2532-014	
	Tool, Slide Plate (Multi-purpose)		2532-140	
	Gasket		2532-113	
6	Glass Clip Assembly, Top	Qty 2 req	2155-046	
7	Baffle, Firebox		2533-138	
8	Glass Clip Assembly, Bottom	Qty 2 req	2532-009	
9	Air Scoop		2532-135	
10	Pilot Shield		2532-153	
11	Burner Assembly		2534-007	Y
12	Base Pan		2545-130	
13	Seal, Glass Frame		2533-122	
14	Glass Door Assembly		GLA-2533	Y
15	Power Cord		2201-017	Y

No one builds a better fire

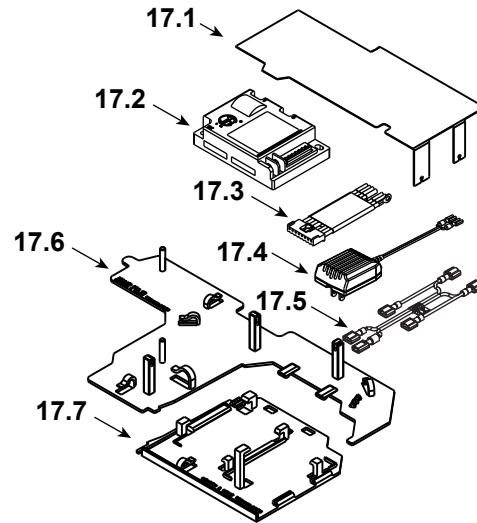
Beginning Manufacturing Date: March 2019

Ending Manufacturing Date: Active

#16 Valve Assembly



#17 Component Tray



IMPORTANT: THIS IS DATED INFORMATION. Parts must be ordered from a dealer or distributor. **Hearth and Home Technologies does not sell directly to consumers.** Provide model number and serial number when requesting service parts from your dealer or distributor.



Stocked at Depot

ITEM	DESCRIPTION	COMMENTS	PART NUMBER	Stocked at Depot
16.1	Pilot Assembly NG		2550-013	Y
	Pilot Assembly Propane		2550-014	Y
16.2	Pilot Gasket		2532-134	
16.3	Flex Ball Valve Assembly		2532-081	Y
16.4	Valve NG		750-500	Y
	Valve Propane		2155-501	Y
16.5	Male Connector	Pkg of 5	303-315/5	Y
16.6	Gasket, Valve Plate		2532-131	
16.7	Gasket, Bulkhead		438-407	
16.8	Bulkhead w/Flex Tube		SRV7000-156	Y
	Orifice NG (#35C)		SRV582-835	Y
	Orifice Propane (#51C)		SRV582-851	Y
17.1	Component Heat Shield		2541-144	Y
17.2	IPI Control Module		SRV593-592	Y
17.3	Wire Assembly		SRV593-590	Y
17.4	3V Transformer		SRV593-593	Y
17.5	Remote Wire Assembly		2103-013	Y
17.6	Wire Tray		2534-171	Y
17.7	Tray, Component		2534-170	Y

Additional service part numbers appear on following page.

