

IMPORTANT: THIS IS DATED INFORMATION. Parts must be ordered from a dealer or distributor. **Hearth and Home Technologies does not sell directly to consumers.** Provide model number and serial number when requesting service parts from your dealer or distributor.



Stocked at Depot

ITEM	DESCRIPTION	COMMENTS	PART NUMBER	
1	180°F Limit Switch Assembly		2670-015	Y
2	Exhaust Restrictor	Qty 2 req	2670-226	
3	90 Degree Burner Tube, 60"		SRV2672-162	Y
4	Shield, Pilot	NG	2670-135	
		Propane	2670-173	
5	Tray, 60" Media		2672-194	
6	Glass Assembly		GLA2672-019	Y
7	Transition, Left & Right Glass		SRV2670-285	Y
8	Glass Retainer Bar		2672-042	
9	Safe Surface Glass, 60"		GLASS-SS-60	
10	Retainer, Cool Glass	3 Sets	2670-157	
11	Plate, Access Hole Cover		2670-124	
12	Tray, Cool Touch Media		2672-134	
13	Damper Assembly		2670-069	
	Gasket, Damper		2670-178	

Additional service part numbers on following page.

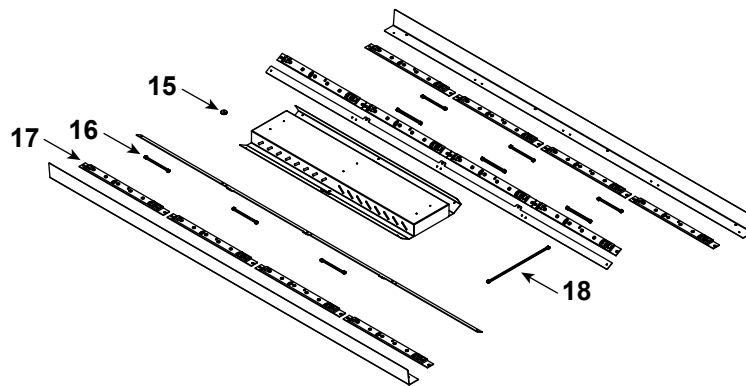
IMPORTANT: THIS IS DATED INFORMATION. Parts must be ordered from a dealer or distributor. **Hearth and Home Technologies does not sell directly to consumers.** Provide model number and serial number when requesting service parts from your dealer or distributor.



**Stocked
at Depot**

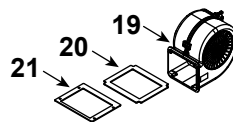
ITEM	DESCRIPTION	COMMENTS	PART NUMBER	
------	-------------	----------	-------------	--

LED Light Components



15	Grommet with 1/8" Opening		2003-300	
16	LED Wire Harness (between LED strips, 4 inch)	Qty 9 req	2300-753	Y
17	LED Board and Strip Assembly	Qty 12 req	2310-062	Y
18	LED Wire Harness	10 inch	2670-753	Y

#Fan Assembly



19	Fan Assembly	Qty 2 req	SRV2670-170	Y
20	Combustion Fan Gasket	Qty 2 req	2670-186	
21	Convection Fan Gasket	Qty 2 req	2670-080	
	Outside Air Kit		2670-085	
	Collar Gasket		2670-163	
	Bracket Assembly (includes 4 refractory clips & 6 refractory spacers)		2670-245	
	Touch-up Paint		TUP-GBK-12	

Additional service part numbers on following page.

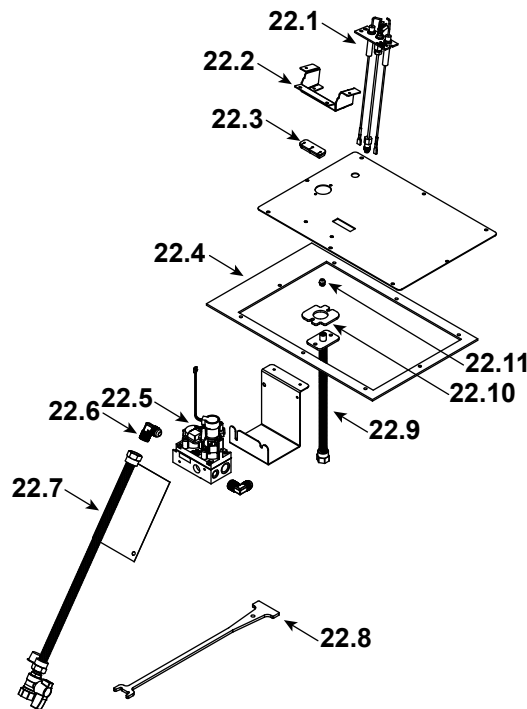
IMPORTANT: THIS IS DATED INFORMATION. Parts must be ordered from a dealer or distributor. **Hearth and Home Technologies does not sell directly to consumers.** Provide model number and serial number when requesting service parts from your dealer or distributor.



**Stocked
at Depot**

ITEM	DESCRIPTION	COMMENTS	PART NUMBER
------	-------------	----------	-------------

#22 Valve Assembly



22.1	Pilot Assembly	NG	2406-012	Y
		Propane	2090-013	Y
22.2	Pilot Bracket		2670-116	
22.3	3-Hole Grommet		SRV2118-420	
22.4	Gasket, Valve Plate		2670-159	
22.5	Valve	NG	SRV2166-302	Y
		Propane	2166-303	Y
22.6	Elbow	Qty 2 req	SRV4021-045	Y
22.7	Flexline, 18" w/Ball Valve		2098-320a	Y
22.8	Tool, Gas Valve		2670-270	
22.9	Buklhead, Flexible		4021-512	Y
22.10	Burner Neck Gasket		2025-407	Y
22.11	Orifice	NG, #26	582-826	Y
		Propane, #45	SRV582-845	Y

Additional service part numbers on following page.

No one builds a better fire

IMPORTANT: THIS IS DATED INFORMATION. Parts must be ordered from a dealer or distributor. **Hearth and Home Technologies does not sell directly to consumers.** Provide model number and serial number when requesting service parts from your dealer or distributor.



Stocked at Depot

ITEM	DESCRIPTION	COMMENTS	PART NUMBER	Stocked at Depot
	150°F Limit Switch, Assembly		2670-014	Y
	Component Tray		2670-139	
	Touch-Up Paint		TUP-GBK-12	Y
	Wire Harness, Temp Disk	A complete wiring schematic is located in the Installation Manual	2670-031	Y
	Harness, Wire Extension (42")		2670-032	Y
	Rheostat Assembly, 110 VAC		2670-171	Y
	Pressure Switch		2670-198	Y
	Wire Harness, PACM to Rheostat		2670-201	Y
	Wire Harness, PACM to Convection Fan		2670-219	Y
	LED 40 Watt Power Supply		2326-113	Y
	Harness, IFT 6 Pin Wiring		SRV2326-132	Y
	Cable, B Type AC Module		SRV2326-152	Y
	36" Male/Female Wire Assembly		2326-185	Y
	Junction Box		SRV2326-013	Y
	Transformer, 6 Volt Wall (NG Only)		SRV2326-131	Y
	Transformer, 6 Volt Wall (Propane Only)		2326-191	Y
	RC150 Remote Assembly		SRV2564-100	Y
	RC450 Remote Assembly		SRV2564-110	Y
	Module, RF FCC		SRV2564-120	Y
	Module, Control		SRV2564-130	Y
	AUX Module, PACM		SRV2564-155	Y
	Reset Switch (Propane Only)		2206-298	Y
	Wire Assembly, Reset Switch (Propane Only, Qty 2 req)		SRV34937	Y
Required to Complete Accessories				
	Refractory Kit	Black/Marble	BGK-MRB-PR-60	
		Fluted Glass	BGK-FL-PR-60	
		Architectural Stone	ACT-PR-60	
		Stone Column	COL-PR-60	
	Crushed Glass Media (5lb bag)	Copper	MEDIA-CP	
		Crystal	MEDIA-CY	
		Graphite	MEDIA-GT	
		Smoked Embers	MEDIA-SM	
	Stone Media		STONES-60	
Conversion Kits				
	Conversion Kit NG		NGK-PRIMOII	Y
	Conversion Kit Propane		LPK-PRIMOII	Y
	Pilot Orifice, NG		SRV593-528	Y
	Pilot Orifice, Propane		SRV593-527	Y
	Regulator, NG	With Stepper Motor	NGK-DXV-50	Y
	Regulator, Propane	With Stepper Motor	SRVLPK-DXV-50	Y