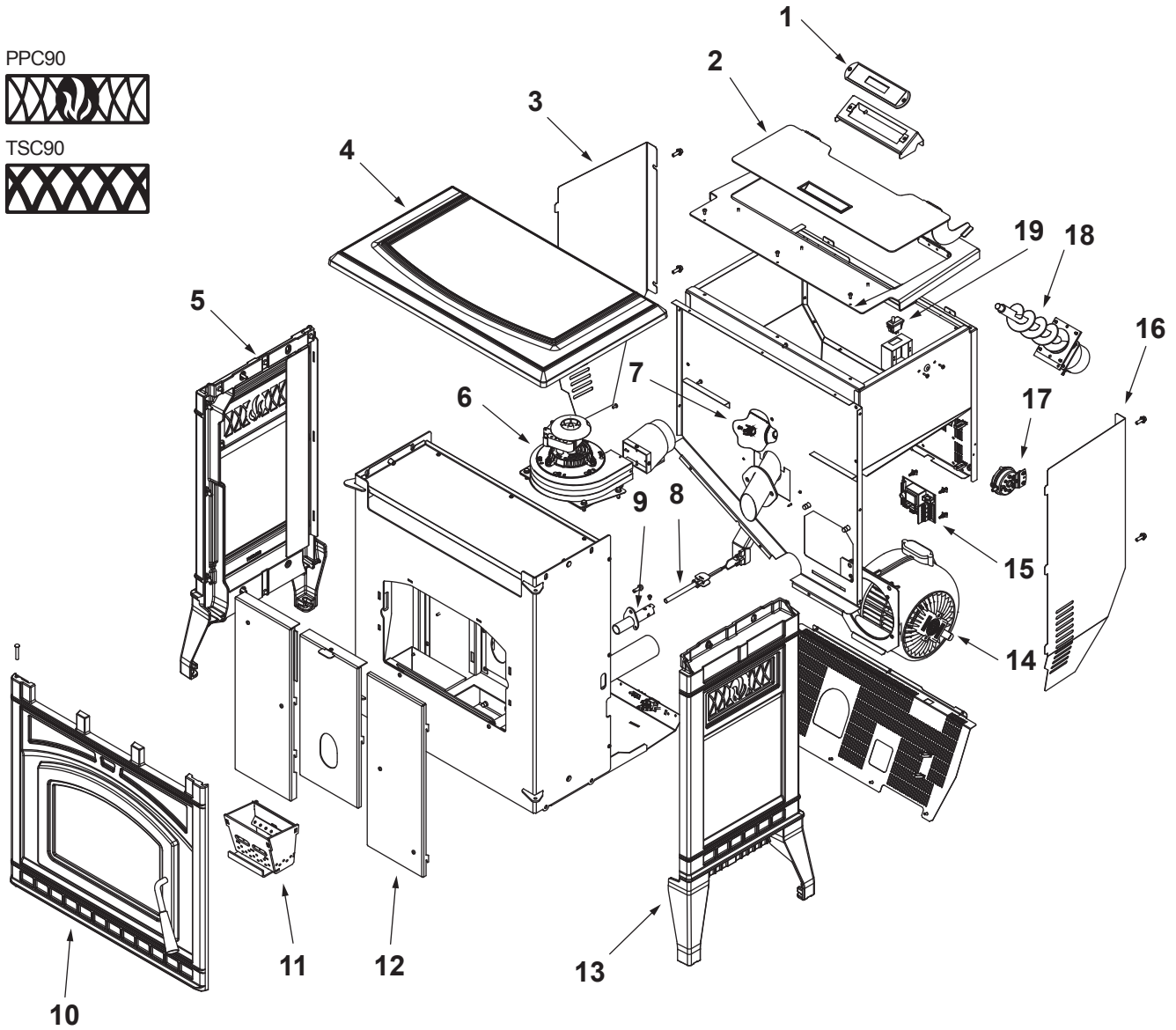


PPC90



TSC90



Part number list on following page.



Service Parts

PPC90/TSC90

Pellet Stove

Beginning Manufacturing Date: July 2016  
Ending Manufacturing Date: Active

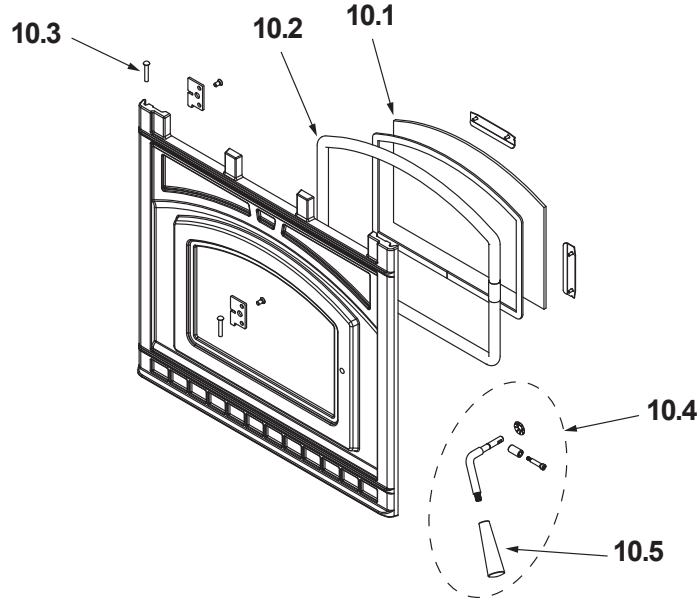
IMPORTANT: THIS IS DATED INFORMATION. When requesting service or replacement parts for your appliance please provide model number and serial number.



Stocked at Depot

ITEM	DESCRIPTION	COMMENTS	PART NUMBER	Stocked at Depot
1	Digital Control	Includes cable	SRV7093-036	Y
2	Hopper Lid Assembly		SRV7093-019-1	
3	Side Curtain, Left Hand		SRV7093-154	
4	Cast Top		7093-201MBK	
5	Cast Side Assembly, Left Hand	PPC90	7093-046-1MBK	
		TSC90	7093-046-3MBK	
6	Exhaust Combustion Blower		812-4400	Y
	Gasket, Between Blower Housing and Motor		812-4710	Y
	Gasket, Between Blower Housing and Stove		SRV240-0812	Y
7	Snap Disc Manual Reset		SRV230-0080	Y
8	Igniter Kit		SRV7000-660	
9	Igniter Chamber Kit		SRV7077-110	
10	Face Assembly		<b>See following Pages</b>	
11	Firepot		SRV7077-003	
12	Baffle Kit		SRV7079-006	
13	Cast Side Assembly, Right Hand	PPC90	7093-045-1MBK	
		TSC90	7093-045-3MBK	
14	Convection Blower		KS-5020-1052	
	Convection Blower Brakcet		SRV7081-210	
15	Control Board		SRV7093-050	Y
	Wire Harness		SRV7093-184	Y
16	Side Curtain, Right Hand		SRV7093-153	
17	Vacuum Switch		SRV7000-531	Y
18	Feed Assembly Kit		<b>See following Pages</b>	
19	Hopper Switch		SRV7000-612	Y
	Ambiant Probe		SRV7000-668	
	Component Pack		SRV7093-028-1	
	Exhaust Probe		SRV7000-669	
	Hose, Vacuum, 5/32 Id	3 Ft	SRV240-0450	Y
	Wire Clip	Pkg of 10	7000-400/10	Y
	Wire Harness		SRV7093-184	
	Wire Harness Thermostat Block		SRV7080-152	

#10 Door Assembly

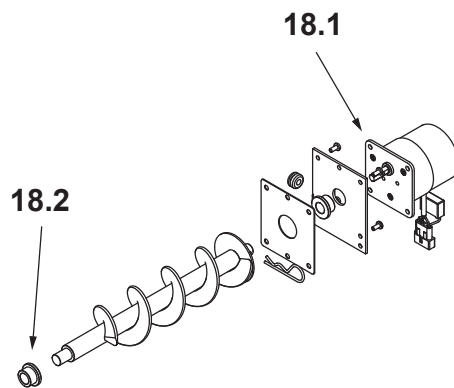


IMPORTANT: THIS IS DATED INFORMATION. When requesting service or replacement parts for your appliance please provide model number and serial number.

Stocked at Depot

ITEM	DESCRIPTION	COMMENTS	PART NUMBER	
10	Face Assembly		7093-041-1MBK	
10.1	Glass Assembly		SRV7093-023	Y
10.2	Rope, Door, 3/4" x 84"		832-1680	Y
10.3	Hinge Pin	Pkg of 2	433-1590/2	
10.4	Door Handle Kit	Includes Black Handle	SRV7093-024	Y
10.5	Handle, Black Phenolic Kit		KS-5140-1442	Y

#18 Feeder Assembly



18	Feed Assembly Kit		SRV7077-014	Y
18.1	Feed Motor		SRV7000-670	Y
18.2	Feed Shaft Bushing	Pkg of 2	7000-600/2	