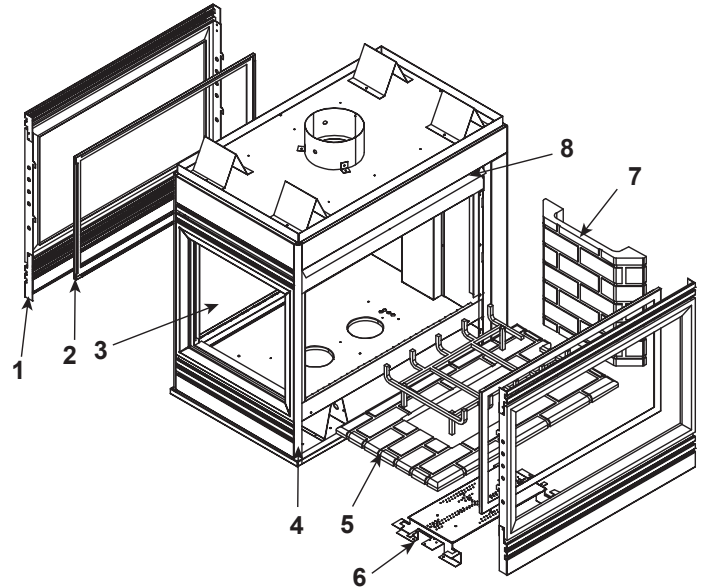


### Log Set Assembly



IMPORTANT: THIS IS DATED INFORMATION. Parts must be ordered from a dealer or distributor. **Hearth and Home Technologies does not sell directly to consumers.** Provide model number and serial number when requesting service parts from your dealer or distributor.



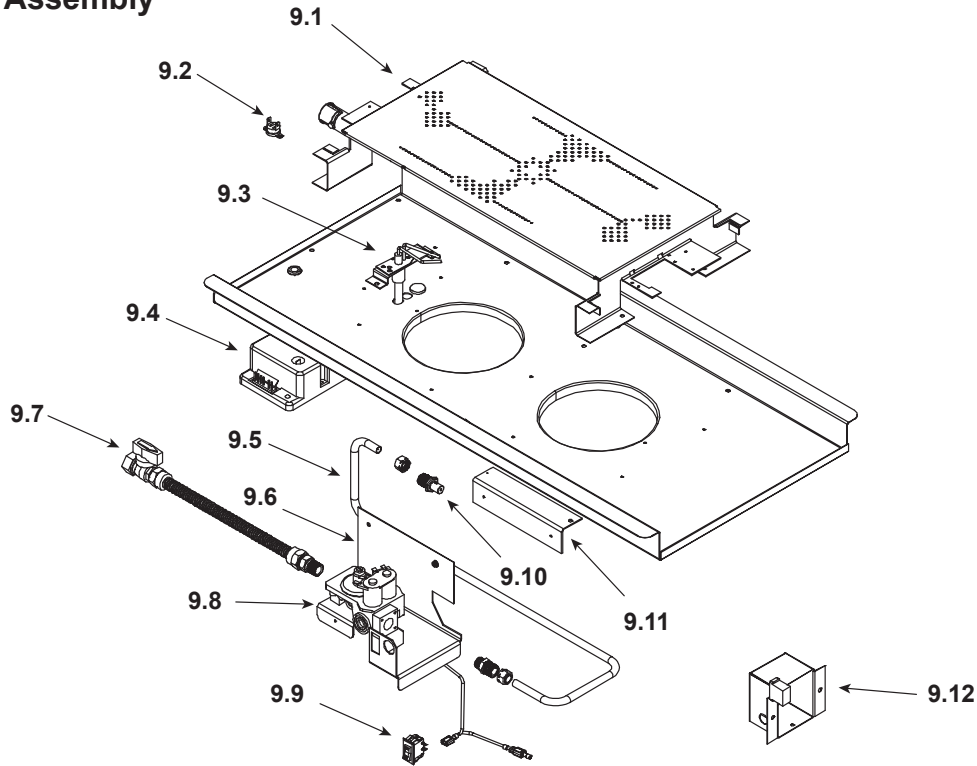
**Stocked at Depot**

ITEM	DESCRIPTION	COMMENTS	PART NUMBER	
	Log Set Assembly		LOGS-MS	Y
1	Decorative Front	No longer available	DF-36H	
2	Glass Door Assembly	No longer available	GLA-PTRC	
		Post Feb 1998	GLA-PIER	Y
3	Glass Door Assembly, End	No longer available	GLA-PTRC-E	
4	Surround Side	No longer available	502-202	
5	Base Refractory	No longer available	SRV504-738-UM	
		No longer available	464-292	
6	Burner NG	Pre 2824	SRV501-176A	Y
		2824 thru 3003	501-173A	Y
		Post 3003	501-272A	Y
6	Burner LP	Pre 1157	SRV501-175A	Y
		1157 Thru 1175	501-172A	Y
		Post 1175	501-273A	Y
7	Refractory (Rear)	No longer available	SRV504-737-UM	
		No longer available	464-280	
8	Hood	No longer available	455-322	
	Decorative Front End	No longer available	DF-PTRCE	
	Grate Assembly	No longer available	674-364	
	Junction Box	No longer available	100-254A	
	Mineral Wool		050-721	
	Touch Up Paint		TUP-GBK-12	
	Remote		SMART-STAT-HHT	
	Fan Kit		GFK-160A	

No one builds a better fire

Beginning Manufacturing Date: Aug 1997  
Ending Manufacturing Date: Mar 2000

### #9 Pilot Valve Assembly



**IMPORTANT: THIS IS DATED INFORMATION.** Parts must be ordered from a dealer or distributor. **Hearth and Home Technologies does not sell directly to consumers.** Provide model number and serial number when requesting service parts from your dealer or distributor.



**Stocked  
at Depot**

ITEM	DESCRIPTION	COMMENTS	PART NUMBER	
9.1	Burner Assembly		See previous page	
9.2	High Temp Limit Switch		SRV4021-383	Y
9.3	Ignitor		501-591	Y
9.4	Module	<b>No longer available</b>	501-592	
9.5	Burner Tube	<b>No longer available</b>	SRV501-302	
9.6	Valve Bracket	<b>No longer available</b>	501-115	
9.7	Flex Ball Valve Assembly		SRV302-320	Y
9.8	Valve NG		492-500	Y
	Valve LP	<b>No longer available</b>	492-501	
9.9	On/Off Rocker Switch		060-521A	Y
9.10	Burner Orifice <b>NG</b> (#30B)	Pre 3003	064-800	Y
	Burner Orifice <b>NG</b> (#33B)	<b>No longer available</b>	455-800	
	Burner Orifice <b>LP</b> (#49B)	Pre 1175	047-801	Y
	Burner Orifice <b>LP</b> (#46B)	<b>No longer available</b>	042-800	
9.11	Junction Box		100-254A	Y
	80" Wire Assembly		522-504A	Y
	Conversion Kit NG ( <b>No longer available</b> )	Pre 3003	N/A	
		Post 3004	NGK-PTVFLMS-DSI	
	Conversion Kit LP ( <b>No longer available</b> )	Pre 1175	N/A	
		Post 1175	LPK-PTRCMS-DSI	