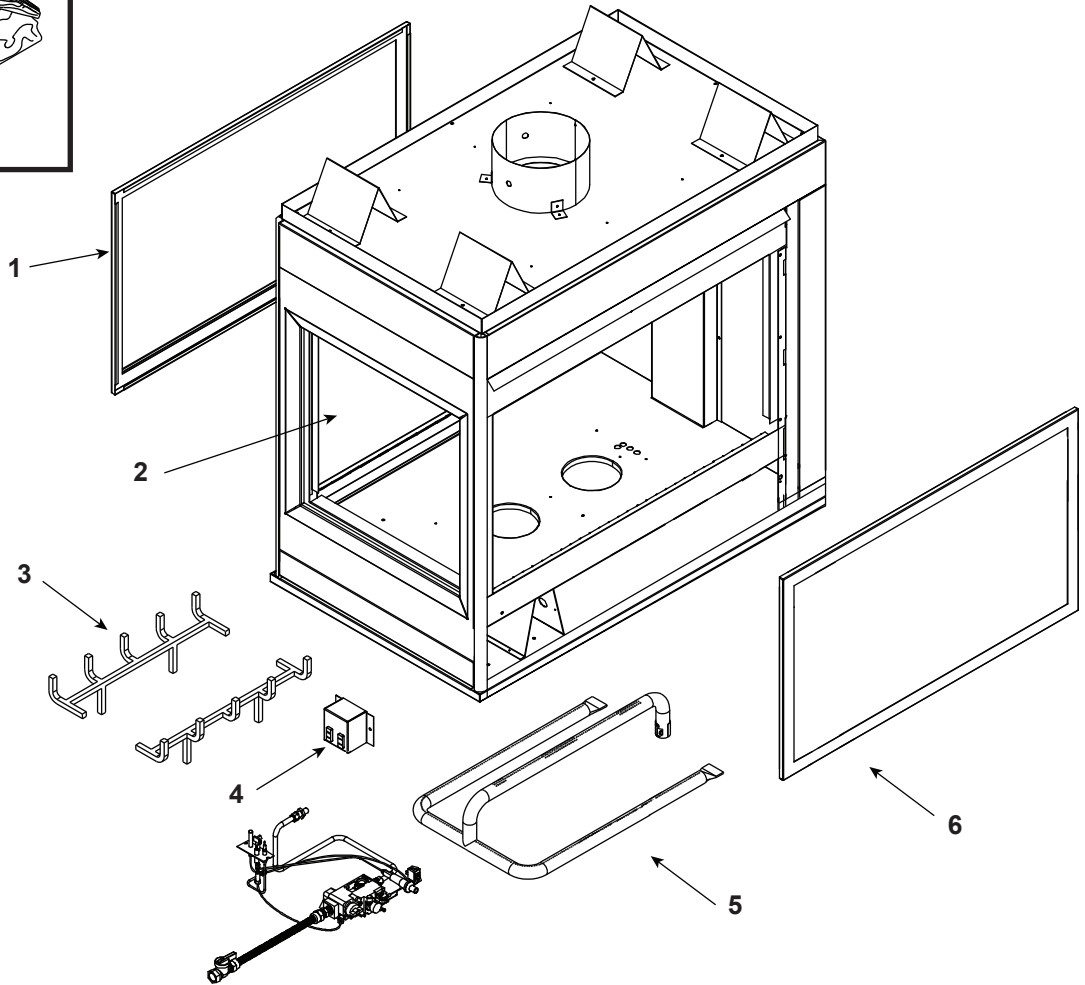
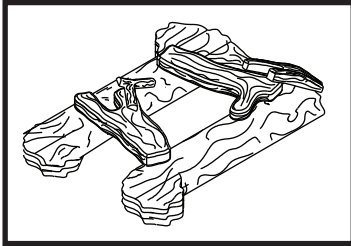


Log Set Assembly



IMPORTANT: THIS IS DATED INFORMATION. Parts must be ordered from a dealer or distributor. **Hearth and Home Technologies does not sell directly to consumers.** Provide model number and serial number when requesting service parts from your dealer or distributor.



Stocked at Depot

ITEM	DESCRIPTION	COMMENTS	PART NUMBER	
	Log Set Assembly	No longer available	ST-LOGS-30	
1	Glass Door Assembly (Left)	No longer available	GLA-PTV-L	
2	Glass Door Assembly (End)	No longer available	GLA-PTV-E	
3	Grate Assembly	No longer available	462-361A	
4	Junction Box		100-250A	Y
5	Burner NG	No longer available	064-326A	
	Burner LP	No longer available	064-325A	
6	Glass Assembly (Right)	No longer available	GLA-PTV-R	



No one builds a better fire

Beginning Manufacturing Date: Aug 1992
Ending Manufacturing Date: Feb 1995

IMPORTANT: THIS IS DATED INFORMATION. Parts must be ordered from a dealer or distributor. **Hearth and Home Technologies does not sell directly to consumers.** Provide model number and serial number when requesting service parts from your dealer or distributor.



Stocked at Depot

ITEM	DESCRIPTION	COMMENTS	PART NUMBER	
	Burner Orifice NG (#30B)		064-800	Y
	Burner Orifice LP (#50B)	No longer available	049-801	
	Fan Kit		GFK-160A	
	High Temp Limit Switch (NG)		092-531	Y
	Microswitch Assembly		040-520A	Y
	Remote		SMART-STAT-HHT	
	Touch Up Paint		TUPB-12	
Standing Pilot Components				
	Burner Tube	No longer available	570-302A	Y
	Piezo Ignitor		291-513	Y
	Pilot Assembly NG		446-512A	Y
	Pilot Assembly LP		446-513A	Y
	Thermopile		2103-512	Y
	Pilot Tube		SRV446-301	Y
	Valve NG		060-500	Y
	Valve LP		060-501	Y
	Conversion Kit NG	No longer available	NGK-PTV	
	Conversion Kit LP	No longer available	LPK-PTV	
	Pilot Orifice NG		SRV446-505	Y
	Pilot Orifice LP		SRV446-517	Y
	Regulator NG		SRV060-504	Y
	Regulator LP		SRV060-516	Y
DSI Components				
	Electrode	No longer available	416-591	
	Module	No longer available	398-592	
	Transformer	No longer available	060-599	
	Valve NG	No longer available	SRV462-500	
	Valve LP	No longer available	SRV462-501	
HSI Components				
	Ignitor	No longer available	060-593	
	Module	No longer available	060-592	
	Transformer	No longer available	060-599	
	Valve, NG/LP (LP conversion option included)	No longer available	060-503	