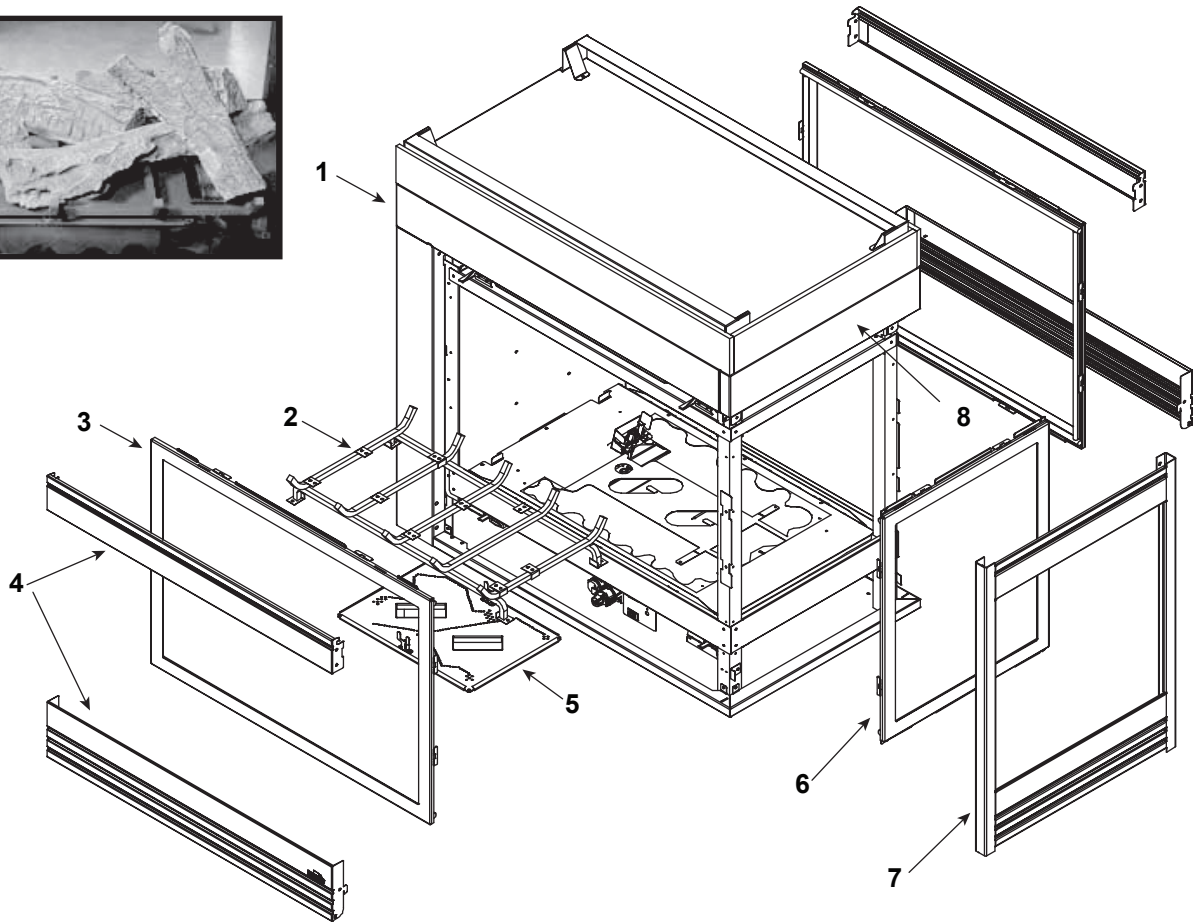


Log Set Assembly



IMPORTANT: THIS IS DATED INFORMATION. Parts must be ordered from a dealer or distributor. **Hearth and Home Technologies does not sell directly to consumers.** Provide model number and serial number when requesting service parts from your dealer or distributor.



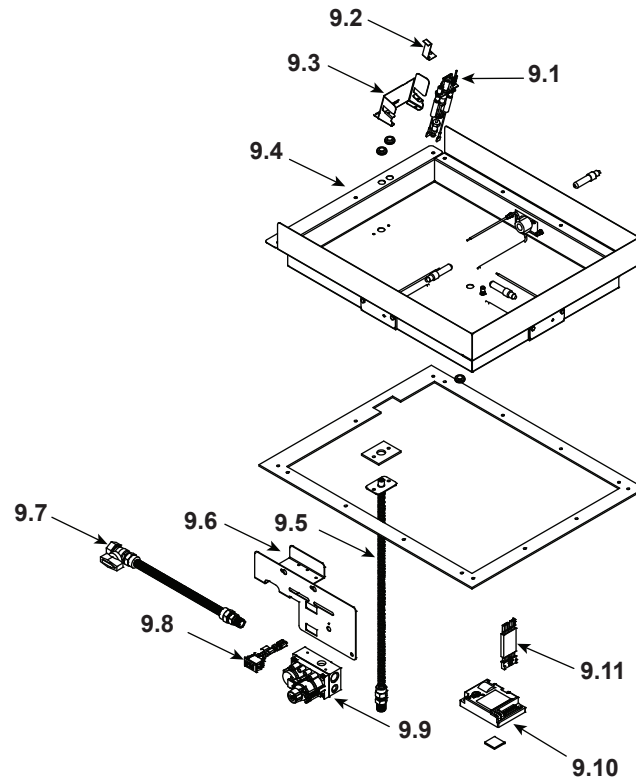
**Stocked
at Depot**

ITEM	DESCRIPTION	COMMENTS	PART NUMBER	
	Log Set Assembly		LOGS-MSB	Y
1	Top Panel Side	No longer available	2006-109	
2	Grate Assembly	No longer available	2039-012	
3	Glass Door Assembly		GLA-6TROC	Y
4	Louvers with Mesh	No longer available	MS-LOUVERS	
	Mesh Assembly		SRV530-382A	Y
	Hood		SRV2005-190	
5	Burner NG, LP		2039-006	Y
6	End Glass Assembly		GLA-MS	Y
7	Louvers with Mesh (End Panel)	No longer available	MS-LOUVERS-EP	
	Mesh Assembly	No longer available	2006-030A	
	Hood		SRV2006-194	
8	Top Panel End	No longer available	2006-111	

No one builds a better fire

Beginning Manufacturing Date Oct 2003
Ending Manufacturing Date: June 2005

#12 Valve Assembly



IMPORTANT: THIS IS DATED INFORMATION. Parts must be ordered from a dealer or distributor. **Hearth and Home Technologies does not sell directly to consumers.** Provide model number and serial number when requesting service parts from your dealer or distributor.



**Stocked
at Depot**

ITEM	DESCRIPTION	COMMENTS	PART NUMBER	
9.1	Pilot Assembly NG		SRV4021-730	Y
	Pilot Assembly LP		SRV4021-731	Y
	Pilot Tube		SRV485-301	Y
9.2	Ground Strap	No longer available	385-512	
9.3	Pilot Bracket	No longer available	2005-118	
9.4	Ember Box Assembly		SRV2005-114	Y
9.5	Flexible Gas Connector		2005-009	Y
9.6	Valve Bracket	No longer available	2005-120	
9.7	Flex Ball Valve Assembly		SRV302-320	Y
9.8	On/Off Rocker Switch		060-521A	Y
9.9	Valve NG		750-500	Y
	Valve LP		750-501	Y
9.10	Module		SRV593-592	Y
9.11	Module Wire Assembly		SRV593-590	Y
	Orifice NG (#32)		SRV582-832	Y
	Orifice LP (#50)		582-850	Y

Additional service part numbers appear on following page.

