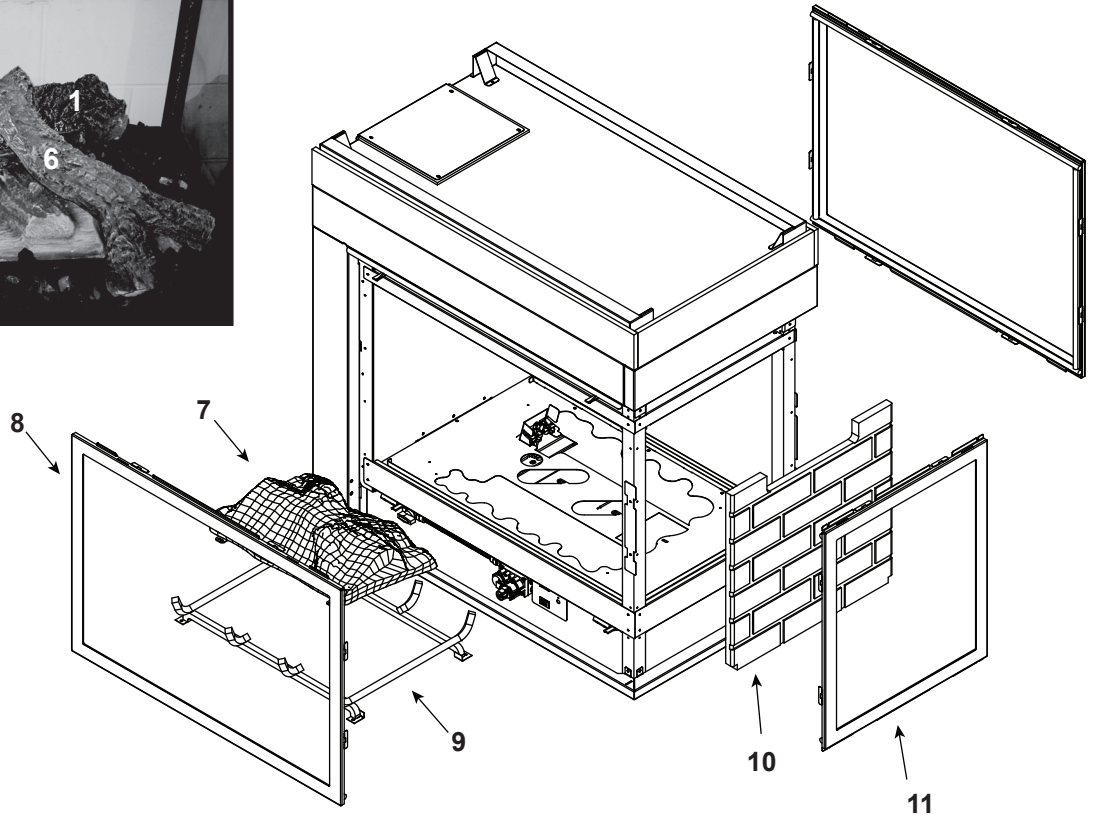
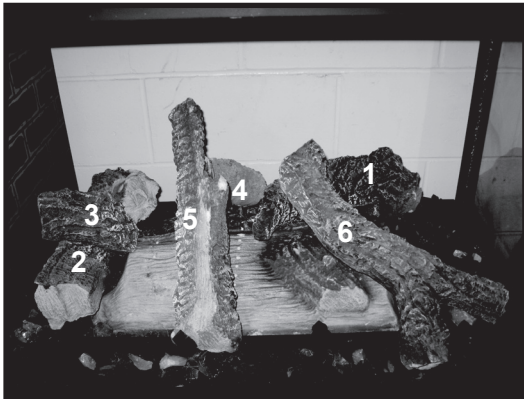


Log Set Assembly



IMPORTANT: THIS IS DATED INFORMATION. Parts must be ordered from a dealer or distributor. **Hearth and Home Technologies does not sell directly to consumers.** Provide model number and serial number when requesting service parts from your dealer or distributor.



Stocked at Depot

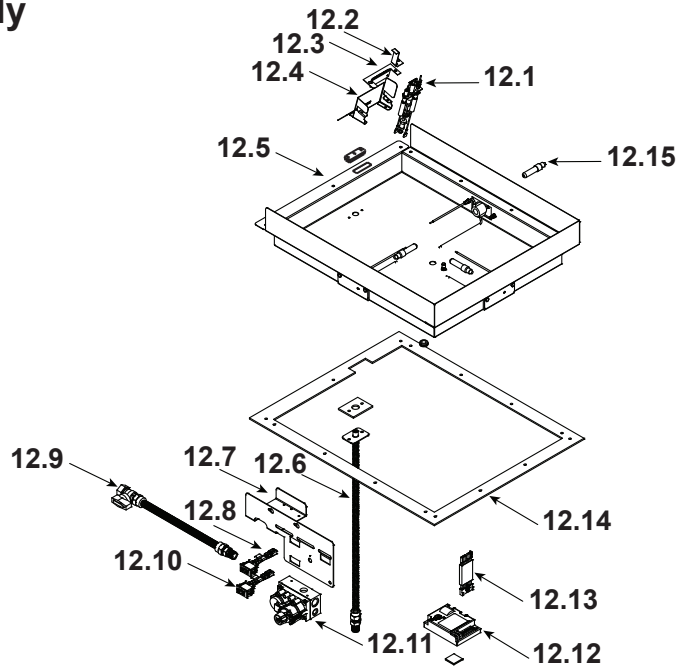
ITEM	DESCRIPTION	COMMENTS	PART NUMBER	
	Log Set Assembly / Burner Assembly	Pre SN #0021355701	SRV2005-006	Y
	Log Set Assembly	Post SN #0021355701	LOGS-MSR	Y
1	Log 1	No longer available, Must order complete assembly	SRV2005-701	
2	Log 2		SRV2005-700	
3	Log 3		SRV2005-702	
4	Log 4		SRV2005-703	
5	Log 5		SRV2005-704	
6	Log 6		SRV2005-705	
7	Log Set Assembly / Burner Assembly	Pre SN #0021355701	SRV2005-006	Y
	Burner NG, LP	Post SN #0021355701	2005-006	Y
8	Glass Door Assembly		GLA-6TROC	Y
9	Grate Assembly		SRV2005-012	
10	Refractory Back		SRV2005-730	
11	End Glass Assembly	No longer available	GLA-MS	

Additional service part numbers appear on following page.

No one builds a better fire

Beginning Manufacturing Date: Aug 2003
Ending Manufacturing Date: Dec 2008

#12 Valve Assembly



IMPORTANT: THIS IS DATED INFORMATION. Parts must be ordered from a dealer or distributor. **Hearth and Home Technologies does not sell directly to consumers.** Provide model number and serial number when requesting service parts from your dealer or distributor.



Stocked at Depot

ITEM	DESCRIPTION	COMMENTS	PART NUMBER	Stocked at Depot
12.1	Pilot Assembly NG		SRV4021-730	Y
	Pilot Assembly LP		SRV4021-731	Y
	Pilot Tube		SRV446-301	Y
12.2	Ground Strap	No longer available	385-512	
12.3	Pilot Assembly Support		385-120	
12.4	Pilot Bracket	No longer available	2005-118	
12.5	Ember Box Assembly	No longer available	SRV2005-114	
12.6	Flexible Gas Connector		2005-009	Y
12.7	Valve Bracket	No longer available	2005-120	
12.8	On/Off, Switch		SRV32D0232	Y
12.9	Flex Ball Valve Assembly		SRV302-320	Y
12.10	On/Off Wire Assembly		060-521A	Y
12.11	Valve NG		750-500	Y
	Valve LP		750-501	Y
12.12	Module		SRV593-592	Y
12.13	Module Wire Assembly		SRV593-590	Y
12.14	Valve Plate Gasket	No longer available	2005-140	
12.15	Light Bulb, 75 Watt	Qty 3 req	700-540	Y
	Orifice NG (#32)		SRV582-832	Y
	Orifice LP (#50)		582-850	Y

Additional service part numbers appear on following page.

